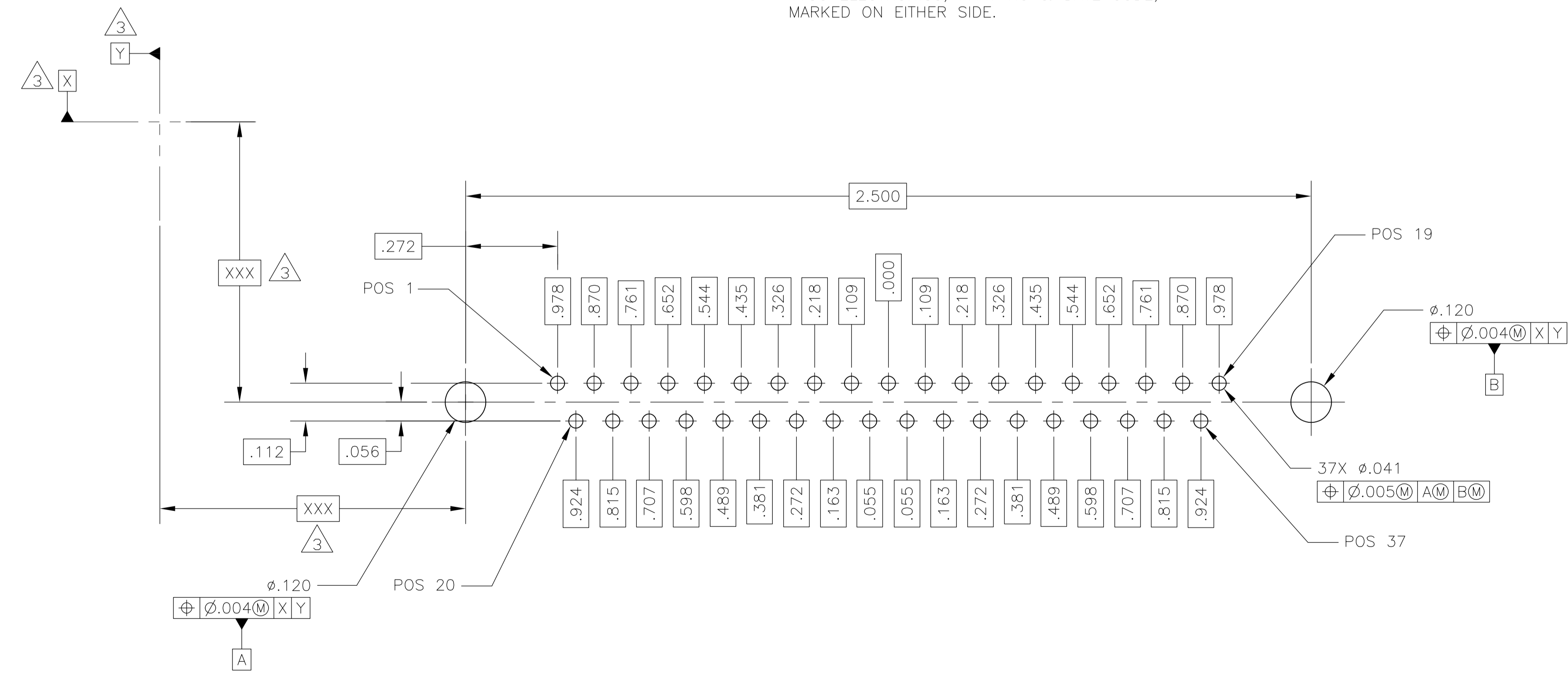
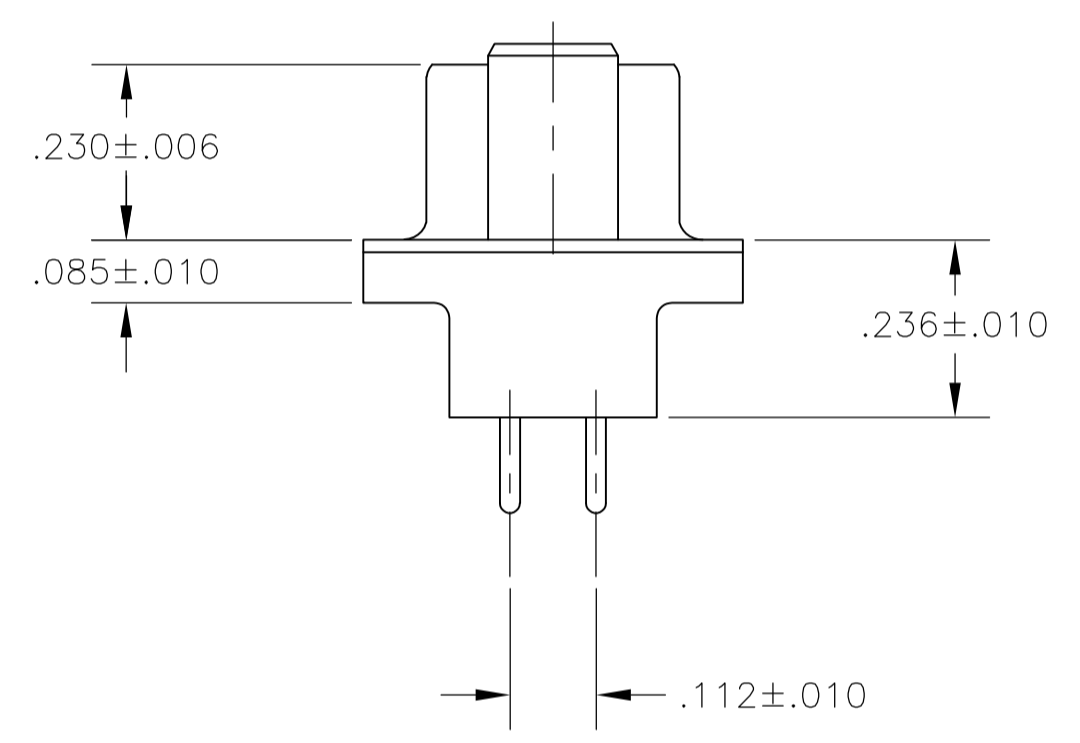
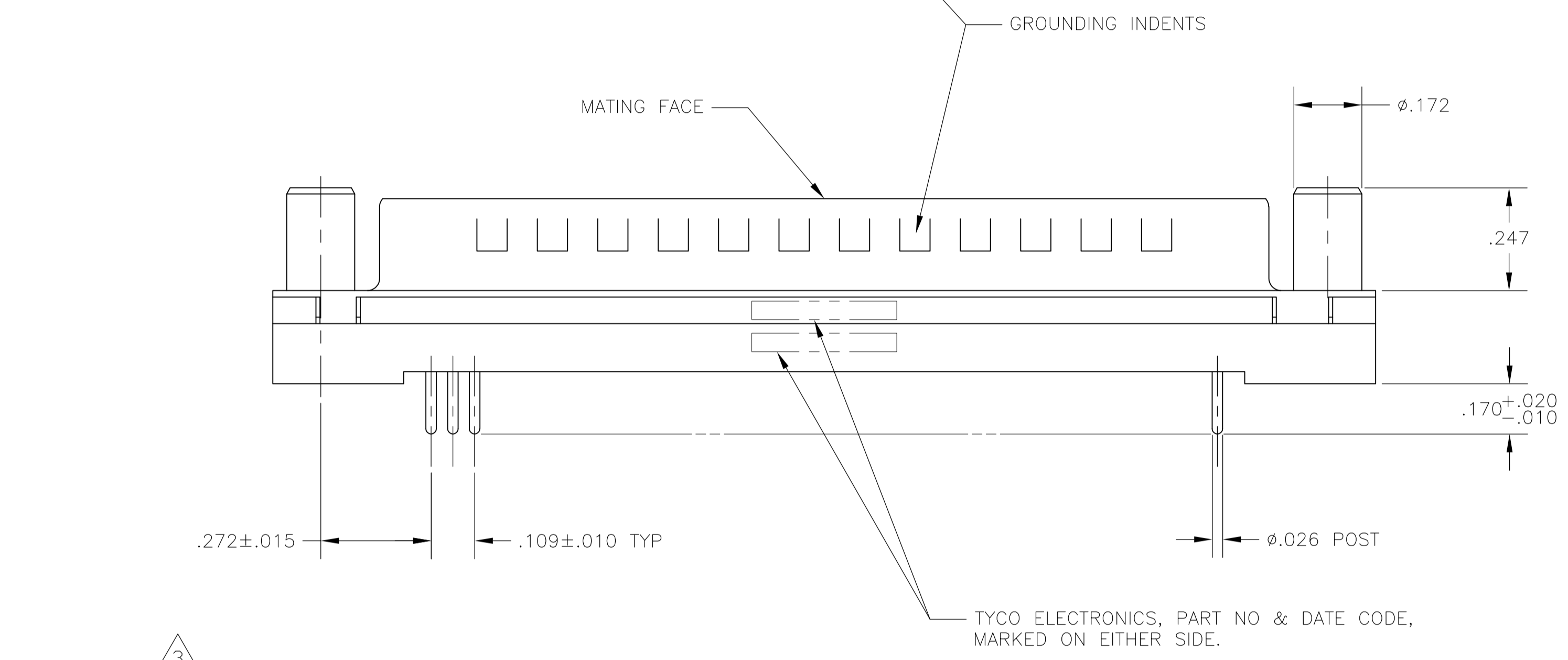


- 1 HOUSING: FLAME RETARDANT, 94V-0 RATED, THERMOPLASTIC; COLOR: BLACK.
SHELL: CARBON STEEL.
CONTACTS: BRASS.
SCREWLOCKS: ZINC.
- 2 SHELL: .000200 MIN TIN OVER .000100 MIN COPPER.
SCREWLOCKS: CLEAR (TRIVALENT) CHROMATE COATING.
CONTACTS: GOLD PLATED FOR A LENGTH OF .150 MIN FROM MATING END, .000030 MIN GOLD IN MATED AREA, .000100 MIN TIN-LEAD ON TERMINATION END, ALL OVER .000050 MIN NICKEL ON ENTIRE CONTACT.
- 3 DATUMS AND BASIC DIMENSIONS ESTABLISHED BY CUSTOMER.



RECOMMENDED PC BOARD MOUNTING DIMENSIONS

2-747705-1
PART NUMBER

THIS DRAWING IS A CONTROLLED DOCUMENT.		DIN C. VALENTINE 02AUG2010	Tyco Electronics Corporation Harrisburg, PA 17105-3608
DIMENSIONS: INCHES		CHK S. BOLASH 02AUG2010	
TOLERANCES UNLESS OTHERWISE SPECIFIED:		APVD S. BOLASH 02AUG2010	NAME: PLUG ASSEMBLY, SIZE 4, 37 POS., VERTICAL, .026 DIA. DUPLEX PLATED POSTS, FRONT SHELL, AMPLIMITE
0. PLC ± -		PRODUCT SPEC: 108-40025	SIZE: 114-40023
1. PLC ± -		APPLICATION SPEC: 114-40023	WEIGHT: -
2. PLC ± -		SIZE: A1	SCALE: NTS
3. PLC ± .005		CAGE CODE: 00779	DRAWING NO: 747705
4. PLC ± -		RESTRICTED TO: -	SHEET: 1 OF 1
ANGLES ± -		CUSTOMER DRAWING	REV: -