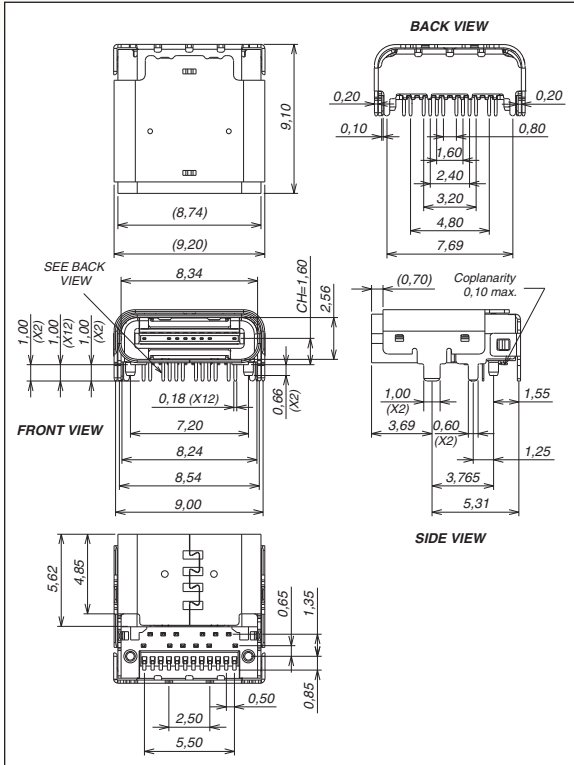


SERIES 898 • UNIVERSAL SERIAL BUS 3.1 TYPE C • TOP MOUNT RECEPTACLE



- USB 3.1 Top Mount, Hybrid Layout
- Full metal housing with enhanced EMI/RFI prevention
- Reversible USB Type C Connector
- 10Gbps Data rate
- 2X faster than USB 3.0 with more efficient data transfer, higher through-put & improved I/O power efficiency
- For Storage, Smartphone, Tablet, Notebook, Docking, Automotive & Home Entertainment



ORDERING INFORMATION

FIG. 1	Top Mount Type C Receptacle, Hybrid Layout
	898-73-024-90-310001
(Tape & Reel Packaged, 550 parts per 330mm reel)	

Technical Specifications

Materials:

- Terminals: Copper Alloy, Tin-Plated
- Contacts: Copper Alloy, 0,76µm Gold-Plated
- Casing and Shield: Stainless Steel
- Insulator material: High temperature thermoplastic rated UL94V-0



General Specifications:

- Temperature Range:
- Operating: -55°C to +85°C
- Nominal: +20°C

Electrical:

- Voltage: 50VAC (rms)
- LLCR: 40mΩ (initial), Δ10mΩ (after)
- Dielectric Strength: 100VAC
- Insulation resistance: 100MΩ min.
- Current Rating: VBUS and GND contacts rated @ 1.25A each, paralleled for a total of 5A

Mechanical:

- Durability: 10,000 cycles
- Insertion force: 20 Newtons max.
- Extraction force: 8 Newtons min., 20 Newtons max.

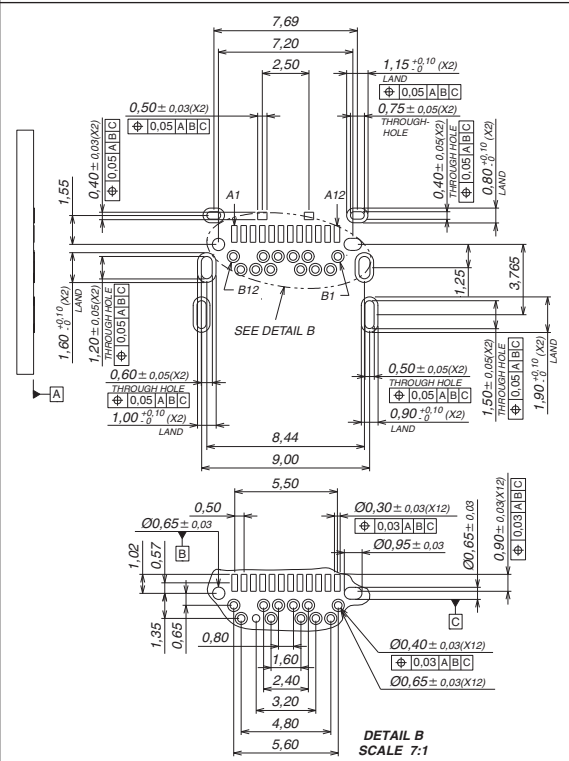


FIG. 1