

| | | |
|-----|------------|----------|
| 2 | SIDE TAB | 5 |
| 1 | CENTER PEG | 4 |
| 2 | EXTRACTOR | 3 |
| 240 | CONTACT | 2 |
| 1 | HOUSING | 1 |
| QTY | ITEM | ITEM NO. |

NOTES; (APPLIED TO SHEET 1-3)

- 1. MATERIAL ; HOUSING: HIGH TEMPERATURE THERMO PLASTIC UL94V-0
CONTACT: COPPER ALLOY
EJECOR: HIGH TEMPERATURE THERMO PLASTIC UL94V-0
PEG/TAB: COPPER ALLOY
- △ FINISH ; SEE TABLE.
- △ COPLANARITY: 0.1 MAX. (BEFORE SOLDERING)
- 4. CONFORMS TO REQUIREMENTS OF EIA/ECA-361-1000.01A.
(CONTROLLED ENVIRONMENT APPLICATIONS
AND TE PRODUCT SPECIFICATION 108-78570)
- 5. REFERENTIAL REFLOW PROFILE IS APPLIED BY J-STD-020*.
- △ LOW RESISTANCE TYPE.
- 7. EXTRACTORS SHOULD BE FULLY CLOSED BEFORE REFLOW.

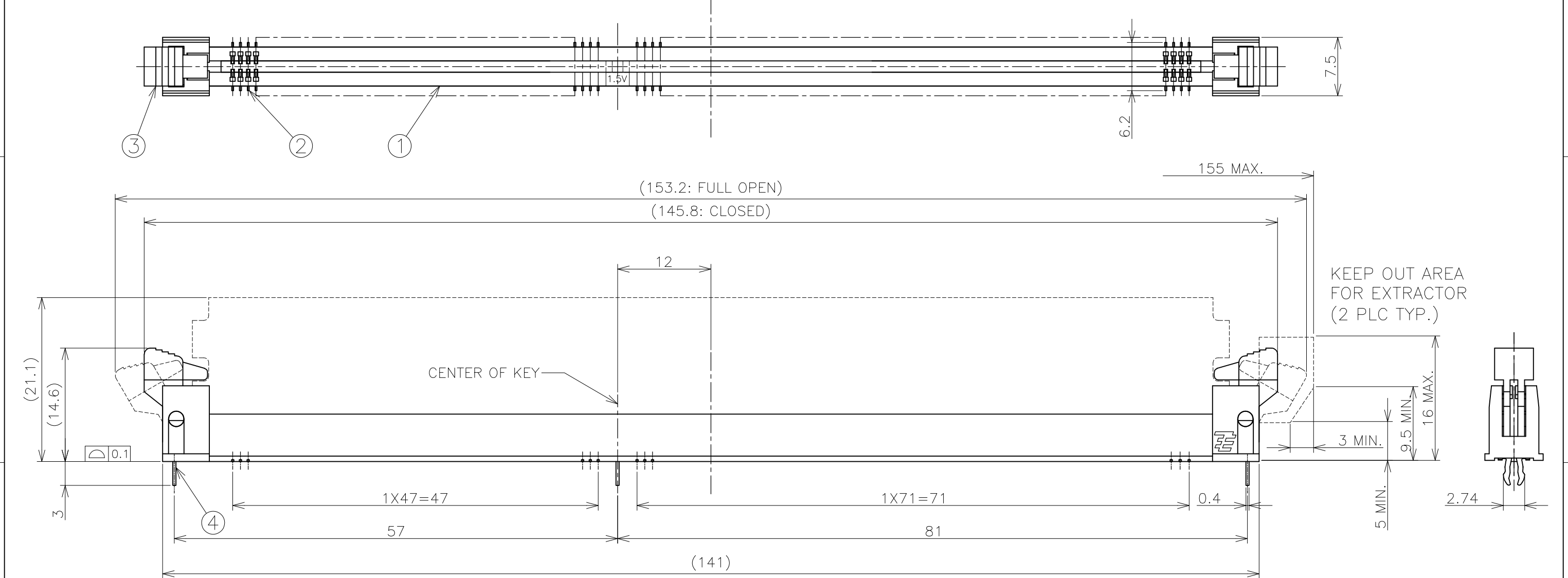
GENERAL TOERLANCE

| | |
|-------------|------------|
| 10 ≥ | ±0.2 |
| 30 ≥ | >10 ; ±0.3 |
| 100 ≥ | >30 ; ±0.5 |
| ANGLE ; ±3° | |

| | | | | | |
|--|---------------|-----------------------------------|---|--------------------|--------------------|
| △ | BLACK | BLACK | Au PL.: 0.00038mm MIN. (CONTACT AREA) Au FLASH PL.: SOLDERING AREA (CONTACT TINE, PEG) TIN PL.: SOLDERING AREA (TAB) Ni UNDER PL.: 0.002mm MIN. ALL OVER | 240 | 3-2134250-2 |
| △ | WHITE | BLACK | Au PL.: 0.00051mm MIN. (CONTACT AREA) Au FLASH PL.: SOLDERING AREA (CONTACT TINE, PEG) TIN PL.: SOLDERING AREA (TAB) Ni UNDER PL.: 0.002mm MIN. ALL OVER | 240 | 3-2134250-1 |
| | BLACK | BLACK | Au PL.: 0.00076mm MIN. (CONTACT AREA) Au FLASH PL.: SOLDERING AREA (CONTACT TINE, PEG) TIN PL.: SOLDERING AREA (TAB) Ni UNDER PL.: 0.002mm MIN. ALL OVER | 240 | 1-2134250-6 |
| | WHITE | BLACK | Au PL.: 0.00076mm MIN. (CONTACT AREA) Au FLASH PL.: SOLDERING AREA (CONTACT TINE, PEG) TIN PL.: SOLDERING AREA (TAB) Ni UNDER PL.: 0.002mm MIN. ALL OVER | 240 | 1-2134250-5 |
| | BLACK | BLACK | Au PL.: 0.00076mm MIN. (CONTACT AREA) Au FLASH PL.: SOLDERING AREA (CONTACT TINE, PEG) TIN PL.: SOLDERING AREA (TAB) Ni UNDER PL.: 0.002mm MIN. ALL OVER | 240 | 1-2134250-4 |
| | WHITE | BLACK | Au PL.: 0.00076mm MIN. (CONTACT AREA) Au FLASH PL.: SOLDERING AREA (CONTACT TINE, PEG) TIN PL.: SOLDERING AREA (TAB) Ni UNDER PL.: 0.002mm MIN. ALL OVER | 240 | 1-2134250-3 |
| | BLACK | BLACK | Au PL.: 0.00038mm MIN. (CONTACT AREA) Au FLASH PL.: SOLDERING AREA (CONTACT TINE, PEG) TIN PL.: SOLDERING AREA (TAB) Ni UNDER PL.: 0.002mm MIN. ALL OVER | 240 | 1-2134250-2 |
| | WHITE | BLACK | Au PL.: 0.00038mm MIN. (CONTACT AREA) Au FLASH PL.: SOLDERING AREA (CONTACT TINE, PEG) TIN PL.: SOLDERING AREA (TAB) Ni UNDER PL.: 0.002mm MIN. ALL OVER | 240 | 1-2134250-1 |
| EXTRACTOR COLOR | HOUSING COLOR | △ FINISH | | POS | PART NO. |
| THIS DRAWING IS A CONTROLLED DOCUMENT. | | DWN T.FUMIKURA 01APR2011 | TE Connectivity DDR3 DIMM SOCKET 1mm PITCH SMT 240 POS. VERY LOW PROFILE TYPE | | |
| DIMENSIONS: 単位: 耗 MM | | CHK E.TAKEMASA 01APR2011 | | | |
| TOLERANCES UNLESS OTHERWISE SPECIFIED: 一般公差 | | APVD E.TAKEMASA 01APR2011 | NAME 名称 | | |
| | | PRODUCT SPEC 製品規格 108-78570 | DRAWING NO 番号 C-2134250 | | |
| MATERIAL 材料 | | FINISH 仕上 | WEIGHT 5.3 g | SIZE A3 | CAGE CODE 00779 |
| SEE NOTES | | SEE NOTES | DRAWING NO 番号 C-2134250 | | RESTRICTED TO |
| GENERAL TOERLANCE | | CUSTOMER DRAWING | | SCALE 尺度 2:1 | SHEET 1 OF 6 |
| | | | | REV F1 | |

THIS DRAWING IS UNPUBLISHED. RELEASED FOR PUBLICATION
 © COPYRIGHT - By - ALL RIGHTS RESERVED.

| LOC | DIST | REVISIONS | | | DATE | DWN | APVD |
|-----|------|-----------|-----|-------------|------|-----|------|
| J | | P | LTR | DESCRIPTION | | | |
| | | - | | SEE SHEET 1 | - | - | - |



| | | |
|-----|-----------|----------|
| 3 | LEG | 4 |
| 2 | EXTRACTOR | 3 |
| 240 | CONTACT | 2 |
| 1 | HOUSING | 1 |
| QTY | ITEM | ITEM NO. |

| | | | | | | |
|---|-----------|-----------------|---------------|---|-----|-------------|
| △ | N/A | BLACK | BLACK | Au PL.: 0.00076mm MIN. (CONTACT AREA) | 240 | 6-2134250-4 |
| | | WHITE | BLACK | Au FLASH PL.: SOLDERING AREA Ni UNDER PL.: 0.002mm MIN. ALL OVER | 240 | 6-2134250-3 |
| △ | CAP COLOR | EXTRACTOR COLOR | HOUSING COLOR | △ FINISH | POS | PART NO. |

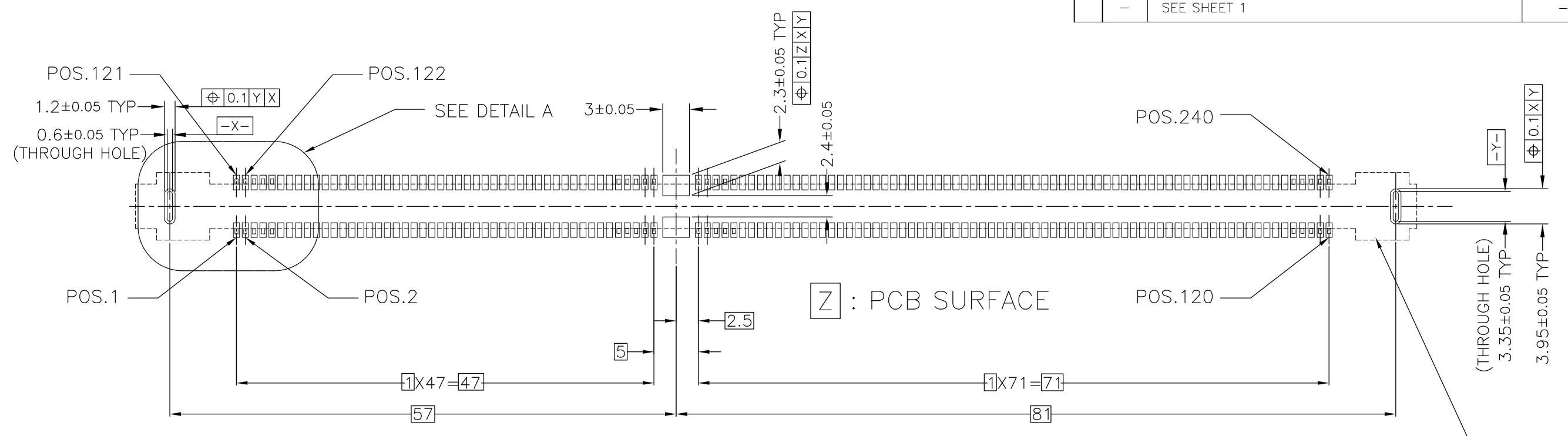
THIS DRAWING IS A CONTROLLED DOCUMENT.

| | | | | | |
|--|---|---|-----------|---------------|---------------|
| DWN | 01APR2011 | TE Connectivity DDR3 DIMM SOCKET 1mm PITCH SMT 240 POS. VERY LOW PROFILE TYPE | | | |
| CHK | 01APR2011 | | | | |
| APVD | 01APR2011 | | | | |
| NAME | 名称 | | | | |
| DIMENSIONS: 单位: 耗 MM | TOLERANCES UNLESS OTHERWISE SPECIFIED: 一般公差 | SIZE | CAGE CODE | DRAWING NO 番号 | RESTRICTED TO |
| 0 PLC ± - 1 PLC ± - 2 PLC ± - 3 PLC ± - 4 PLC ± - ANGLES ± 3° | GENERAL TOLERANCE 10 ≥ ±0.2 30 ≥ >10; ±0.3 100 ≥ >30; ±0.5 ANGLE: ±3° | A3 | 00779 | C-2134250 | |
| MATERIAL 材料 | SEE NOTES | FINISH 仕上 | SEE NOTES | SCALE 尺度 | 2:1 |
| | | | | SHEET | 2 OF 6 |
| | | | | REV | F1 |

CUSTOMER DRAWING

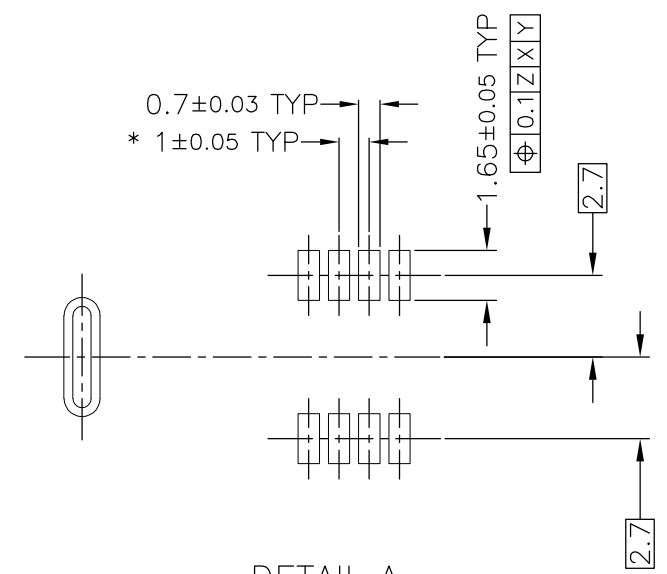
THIS DRAWING IS UNPUBLISHED. RELEASED FOR PUBLICATION
 © COPYRIGHT - By - ALL RIGHTS RESERVED.

| LOC | DIST | REVISIONS | | |
|-----|------|-------------|------|------|
| J | | 変更 | | |
| P | LTR | DESCRIPTION | DATE | DWN |
| | | SEE SHEET 1 | - | - |
| | | | | APVD |

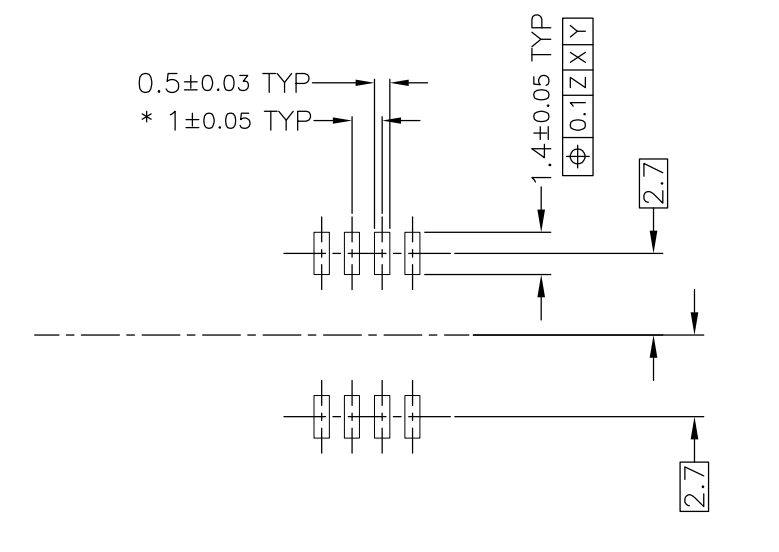


REFERENCE PCB LAYOUT
(VIEWED FROM CONNECTOR SIDE)

CONNECTOR OUTLINE



DETAIL A
(4:1)



REFERENTIAL METAL MASK PAD OPENING
(4:1)

* : TOLERANCE; NON-CUMULATIVE

* : TOLERANCE; NON-CUMULATIVE

THIS PCB LAYOUT IS FOR 1-2134250-1~1-2134250-6,3-2134250-1~3-2134250-2.
 RECOMMENDED PC BOARD X/Y CTE. 10-14 [ppm/DEGREE CELSIUS]
 PLEASE VERIFY CTE MATCHING BEFORE USING THE SOCKETS.
 FOR ANY INQUIRY. PLEASE CONTACT TE Connectivity.

THIS DRAWING IS A CONTROLLED DOCUMENT.

| GENERAL TOLERANCE | |
|-------------------|------------|
| 10 ≥ | ±0.2 |
| 30 ≥ | >10 ; ±0.3 |
| 100 ≥ | >30 ; ±0.5 |
| ANGLE ; ±3° | |

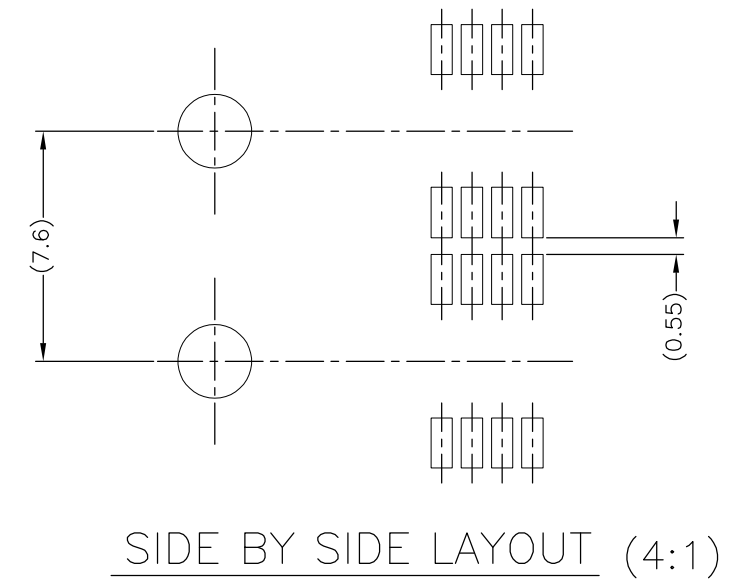
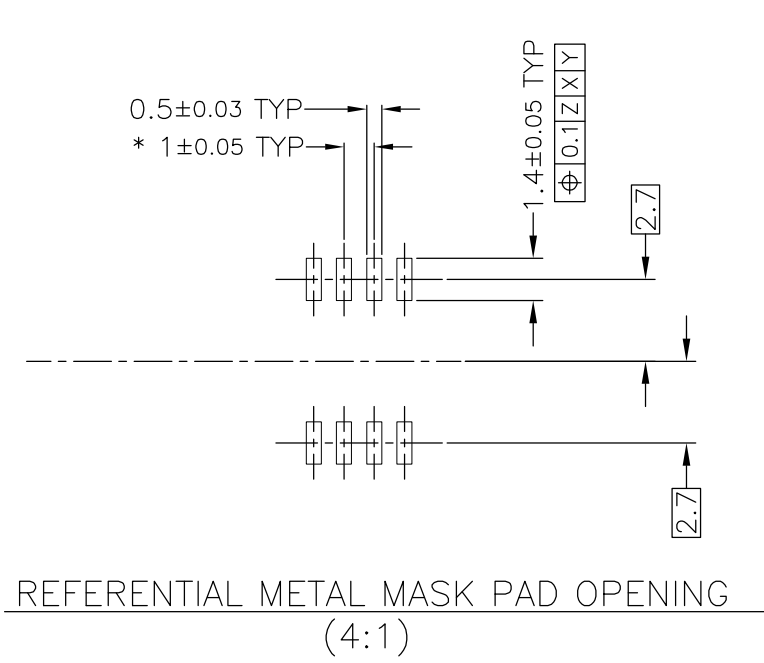
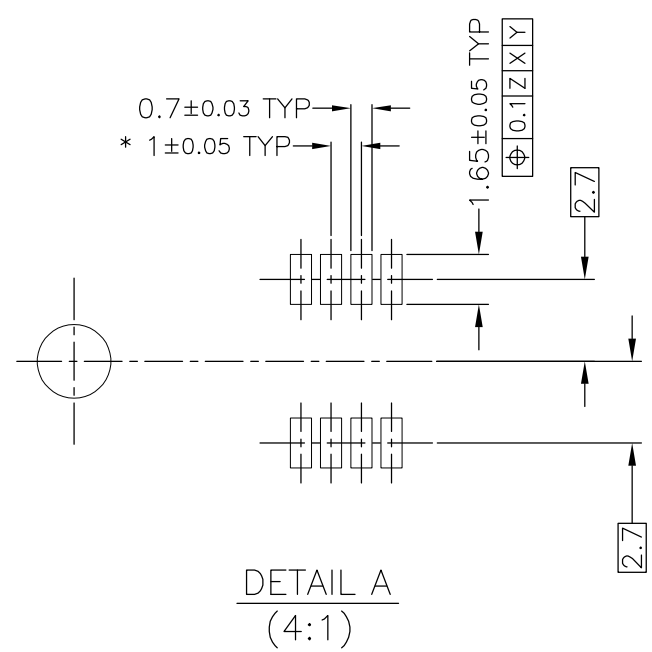
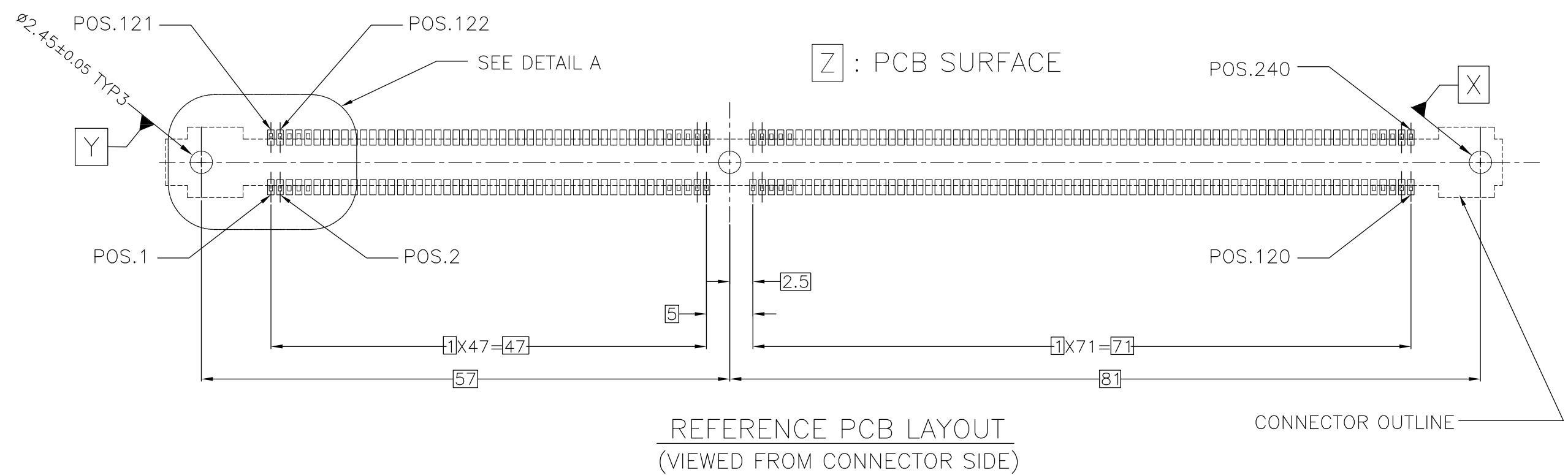
| DIMENSIONS: 単位: 耗 MM | TOLERANCES UNLESS OTHERWISE SPECIFIED: 一般公差 |
|----------------------------|---|
| | 0 PLC ± - |
| | 1 PLC ± - |
| | 2 PLC ± - |
| | 3 PLC ± - |
| | 4 PLC ± - |
| ANGLES | ± 3° |
| MATERIAL 材料 | FINISH 仕上 |
| SEE NOTES | SEE NOTES |

| | |
|----------------------------|--|
| DWN | |
| CHK | |
| APVD | |
| PRODUCT SPEC 製品規格 | |
| APPLICATION SPEC 取付適用規格 | |
| WEIGHT | |

| | | | |
|------------------|-----------|--|-----------------|
| TE Connectivity | | NAME 名称 | |
| | | DDR3 DIMM SOCKET 1mm PITCH SMT 240 POS. VERY LOW PROFILE TYPE | |
| SIZE | CAGE CODE | DRAWING NO 番号 | RESTRICTED TO |
| A3 | 00779 | C-2134250 | |
| CUSTOMER DRAWING | | SCALE 尺度 | SHEET 3 OF 6 |
| | | REV F1 | |

THIS DRAWING IS UNPUBLISHED. RELEASED FOR PUBLICATION
 © COPYRIGHT - By - ALL RIGHTS RESERVED.

| | | | | | | | |
|----------|------|-----------------|--|--|------|-----|------|
| LOC J | DIST | REVISIONS 変更 | | | DATE | DWN | APVD |
| P | LTR | DESCRIPTION | | | | | |
| | | SEE SHEET 1 | | | | | |



* : TOLERANCE; NON-CUMULATIVE

* : TOLERANCE; NON-CUMULATIVE

THIS PCB LAYOUT IS FOR 6-2134250-3~6-2134250-4.
 RECOMMENDED PC BOARD X/Y CTE. 10-14 [ppm/DEGREE CELSIUS]
 PLEASE VERIFY CTE MATCHING BEFORE USING THE SOCKETS.
 FOR ANY INQUIRY. PLEASE CONTACT TE Connectivity.

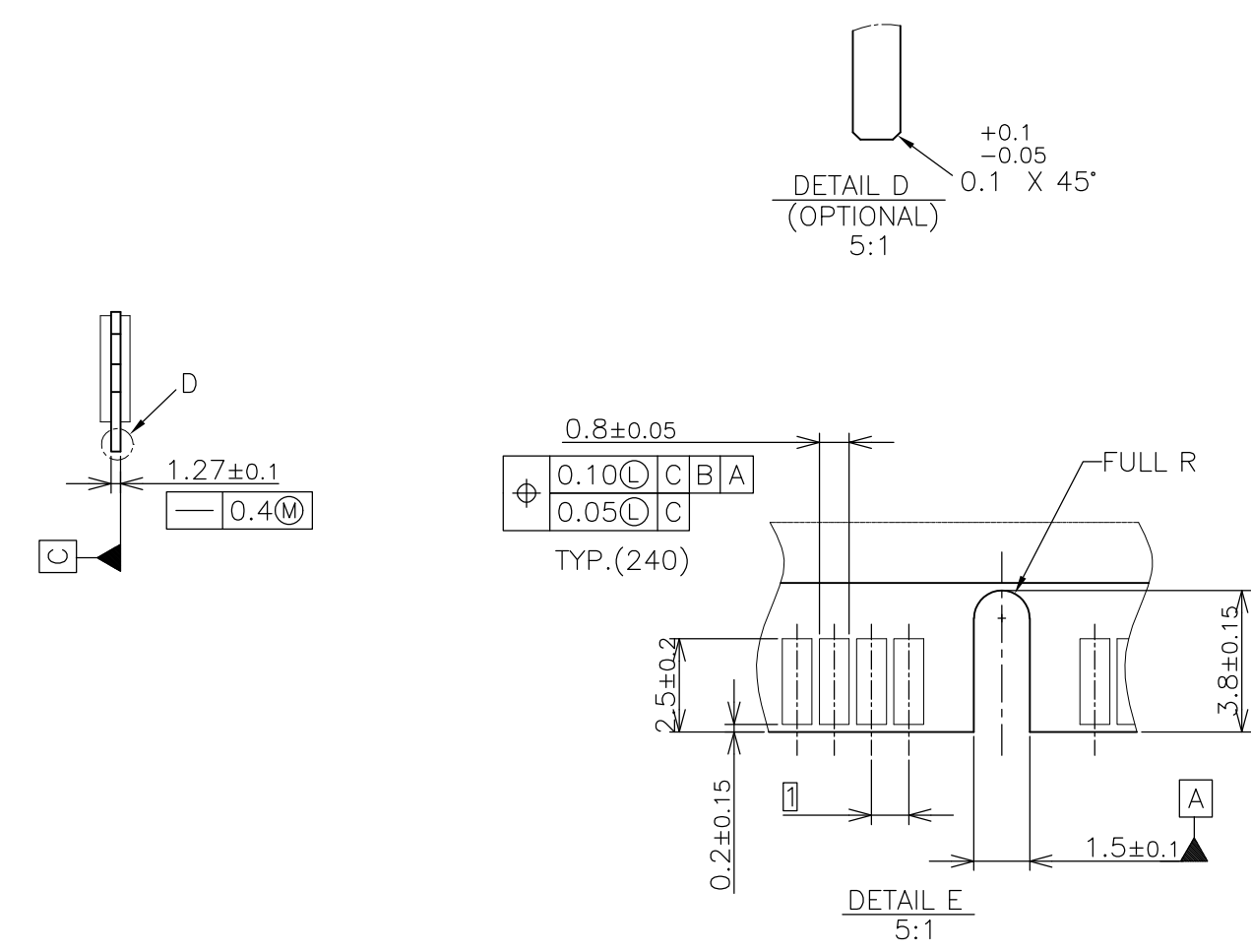
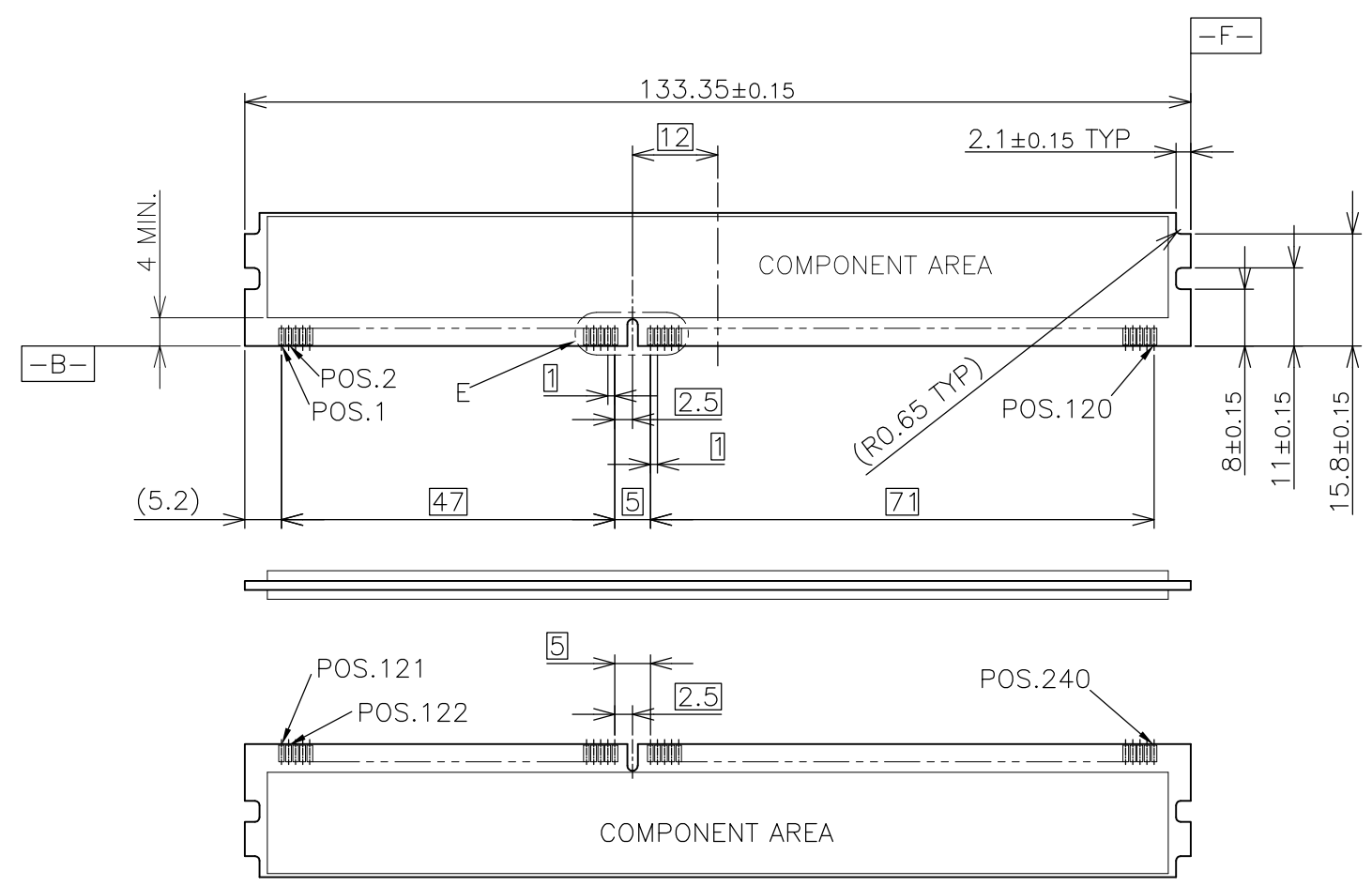
| GENERAL TOLERANCE | |
|-------------------|------------|
| 10 ≥ | ±0.2 |
| 30 ≥ | >10 ; ±0.3 |
| 100 ≥ | >30 ; ±0.5 |
| ANGLE ; ±3° | |

| | |
|--|---|
| THIS DRAWING IS A CONTROLLED DOCUMENT. | |
| DIMENSIONS: 单位: 耗 MM | TOLERANCES UNLESS OTHERWISE SPECIFIED: 一般公差 |
| | 0 PLC ± - |
| | 1 PLC ± - |
| | 2 PLC ± - |
| | 3 PLC ± - |
| | 4 PLC ± - |
| ANGLES ± 3° | |
| MATERIAL 材料 | FINISH 仕上 |
| SEE NOTES | SEE NOTES |

| | | | | | | | | | | | | |
|------------------|-----|------|----------------------|----------------------------|--------|-----------------|--|------------|------|-----------|------------------|---------------|
| DWN | CHK | APVD | PRODUCT SPEC 製品規格 | APPLICATION SPEC 取付適用規格 | WEIGHT | TE Connectivity | | NAME 名称 | SIZE | CAGE CODE | DRAWING NO 番号 | RESTRICTED TO |
| | | | | | | | DDR3 DIMM SOCKET 1mm PITCH SMT 240 POS. VERY LOW PROFILE TYPE | | A3 | 00779 | G-2134250 | |
| CUSTOMER DRAWING | | | | | | SCALE 尺度 | SHEET | REV | | | | |
| | | | | | | 2:1 | 4 OF 6 | F1 | | | | |

THIS DRAWING IS UNPUBLISHED. RELEASED FOR PUBLICATION
 © COPYRIGHT - By - ALL RIGHTS RESERVED.

| LOC | DIST | REVISIONS | | | | | |
|-----|------|-----------|-----|-------------|------|-----|------|
| | | P | LTR | DESCRIPTION | DATE | DWN | APVD |
| J | | | | SEE SHEET 1 | | | |



REFERENCE DIMM PCB LAYOUT

RECOMMENDED PLATING FOR CONTACT PADS ARE:

- PREFERABLE PLATING : ELECTROLYTIC GOLD PLATING 0.00076 mm MIN. OVER ELECTROLYTIC NICKEL 0.002 mm MIN.
- ALTERNATIVE PLATING : GOLD PLATING 0.00005-0.00075 mm OVER NICKEL 0.002 mm MIN. MUST USE AN ELECTRONIC CONTACT GRADE CORROSIVE BARRIER LUBRICANT.

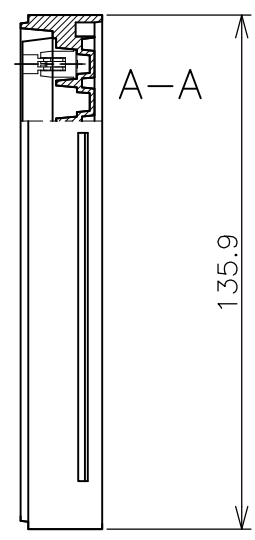
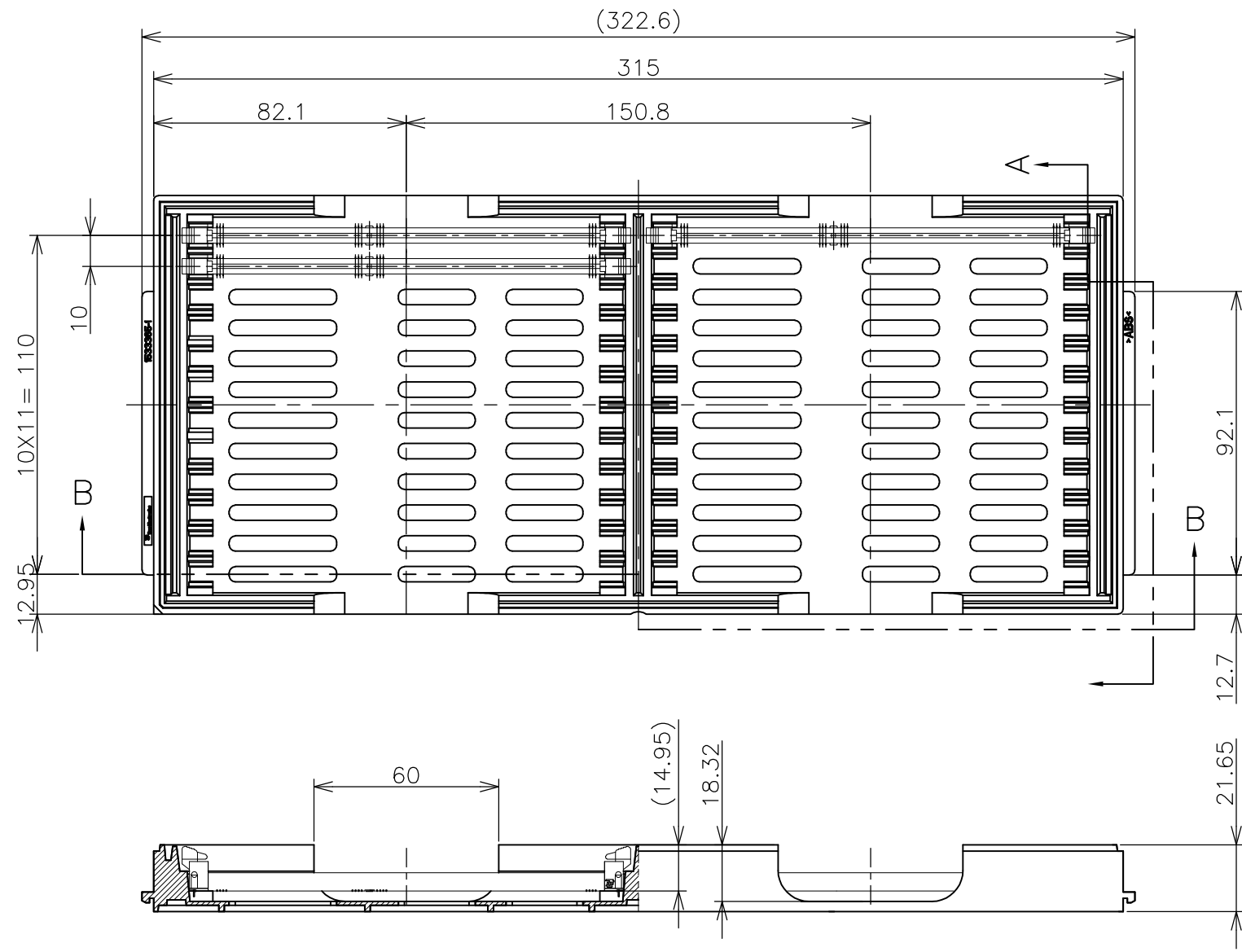
GENERAL TOLERANCE

| |
|--------------------|
| 10 ≥ ; ±0.2 |
| 30 ≥ ; >10 ; ±0.3 |
| 100 ≥ ; >30 ; ±0.5 |
| ANGLE ; ±3° |

| | | | | | |
|---|--|-------------------------|--|--------------------------------|-----------|
| THIS DRAWING IS A CONTROLLED DOCUMENT. | | DWN | | STE TE Connectivity | |
| DIMENSIONS: 单位: 耗 MM | | CHK | | | |
| TOLERANCES UNLESS OTHERWISE SPECIFIED: 一般公差 | | APVD | | NAME 名称 | |
| 0 PLC ± - | | PRODUCT SPEC 製品規格 | | DDR3 DIMM SOCKET 1mm PITCH SMT | |
| 1 PLC ± - | | APPLICATION SPEC 取付適用規格 | | 240 POS. VERY LOW PROFILE TYPE | |
| 2 PLC ± - | | WEIGHT | | SIZE | CAGE CODE |
| 3 PLC ± - | | CUSTOMER DRAWING | | A3 | 00779 |
| 4 PLC ± - | | SCALE 尺度 1:1 | | DRAWING NO 番号 | |
| ANGLES ± 3° | | SHEET 5 OF 6 | | G-2134250 | |
| FINISH 仕上 | | REV F1 | | RESTRICTED TO | |
| MATERIAL 材料 | | SEE NOTES | | | |

THIS DRAWING IS UNPUBLISHED. RELEASED FOR PUBLICATION
 © COPYRIGHT - By - ALL RIGHTS RESERVED.

| LOC | DIST | REVISIONS | | |
|-----|------|-----------|------|-------------|
| J | | P | LTR | DESCRIPTION |
| | | - | | SEE SHEET 1 |
| | | | DATE | DWN |
| | | | - | - |
| | | | APVD | - |



QTY: 24EA/TRAY

GENERAL TOLERANCE

| | |
|-------------|------------|
| 10 ≥ | ±0.2 |
| 30 ≥ | >10 ; ±0.3 |
| 100 ≥ | >30 ; ±0.5 |
| ANGLE ; ±3° | |

THIS DRAWING IS A CONTROLLED DOCUMENT.

| | |
|----------------------------|---|
| DIMENSIONS: 单位: 耗 MM | TOLERANCES UNLESS OTHERWISE SPECIFIED: 一般公差 |
| 0 PLC | ± - |
| 1 PLC | ± - |
| 2 PLC | ± - |
| 3 PLC | ± - |
| 4 PLC | ± - |
| ANGLES | ± 3° |
| MATERIAL 材料 | FINISH 仕上 |
| SEE NOTES | SEE NOTES |

| | |
|----------------------------|--|
| DWN | |
| CHK | |
| APVD | |
| PRODUCT SPEC 製品規格 | |
| APPLICATION SPEC 取付適用規格 | |
| WEIGHT | |

| | | | |
|--|-----------|------------------|-----------------|
| STE TE Connectivity | | | |
| NAME 名称 DDR3 DIMM SOCKET 1mm PITCH SMT 240 POS. VERY LOW PROFILE TYPE | | | |
| SIZE | CAGE CODE | DRAWING NO 番号 | RESTRICTED TO |
| A3 | 00779 | G-2135250 | |
| CUSTOMER DRAWING | | SCALE 尺度 1:2 | SHEET 6 OF 6 |
| | | REV F1 | |