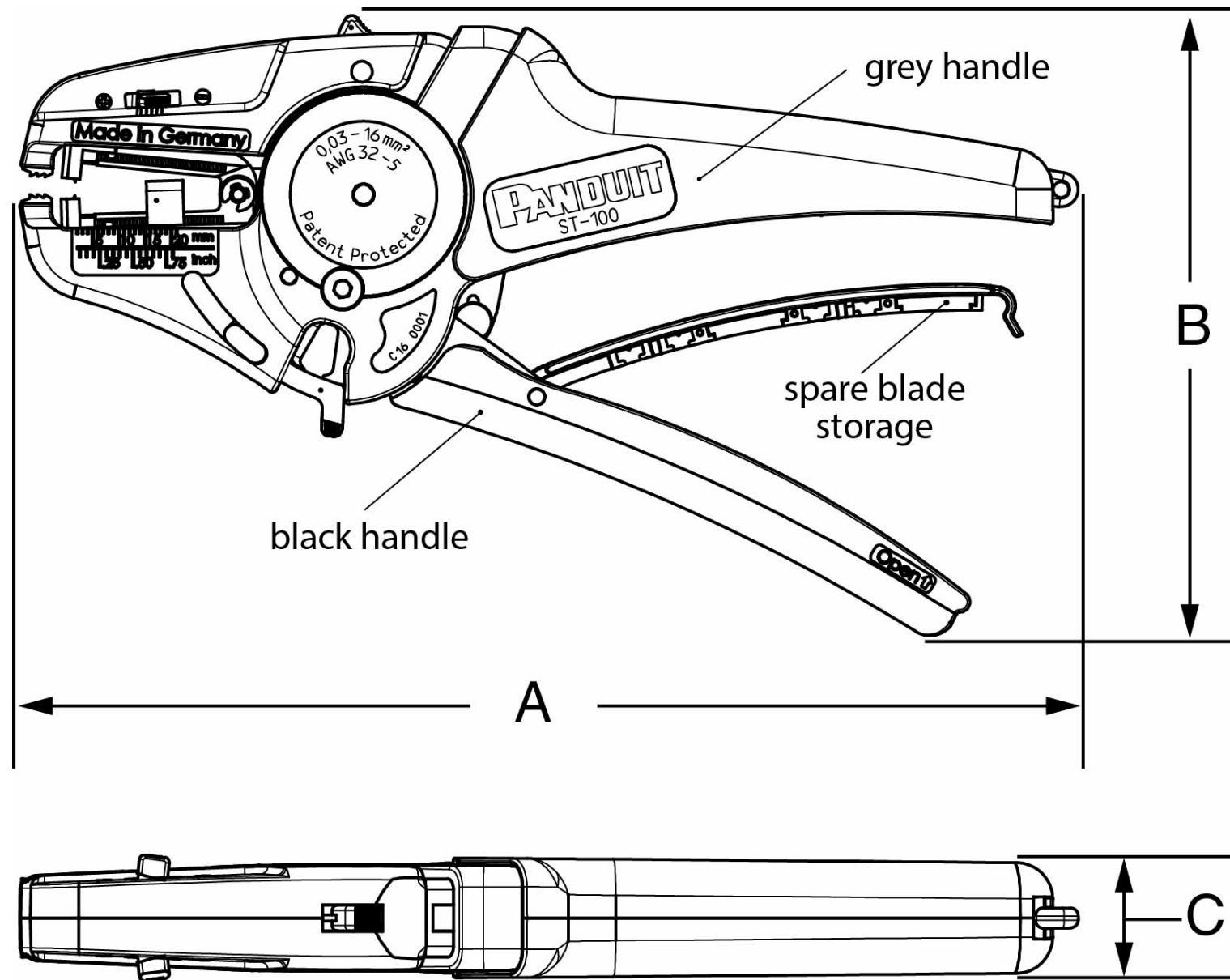


THIS COPY IS PROVIDED ON A RESTRICTED BASIS AND IS NOT TO BE USED IN ANY WAY DETRIMENTAL TO THE INTERESTS OF PANDUIT CORP.



NOTES, UNLESS OTHERWISE SPECIFIED:

**SPECIFICATIONS:**

PANDUIT TOOL NO: ST-100

Adjustable wire stripping tool for #32-5AWG (0.03 - 16mm<sup>2</sup>) wire

**TOOL WEIGHT:** 6.9 oz (0,20 kg)

Light weight with easy mechanical action

Fatigue-free working due to ergonomic design

**THIS TOOL'S FEATURES INCLUDE:**

- Stripping of stranded and solid wire with PVC insulation of 0,03 to 16 mm<sup>2</sup>
- Cutting of stranded wire with PVC insulation of 0,03 to 16 mm<sup>2</sup>
- Adjustable stripping length of 3,0–21 mm
- No tool required for changing stripping knives
- Stripper knife storage in convenient compartment in handle

Fully recyclable

RoHS Directive 2011/65/EU compliant

DIMENSIONS SHOWN ARE FOR REFERENCE ONLY.

DIMENSIONS IN PARENTHESES ARE (MM) METRIC.

A = 7.95 (202) OVERALL LENGTH

B = 4.50 (114) OVERALL HEIGHT

C = 0.90 (23) OVERALL DEPTH

File Location: Teamcenter

REV	DATE	BY	CHK	APR	DESCRIPTION	ECN	ST-100 TOOL					
							CUSTOMER DRAWING					
							ITEM REVISION NAME: TF28182B01_00			<b>PANDUIT</b>		
							UNLESS OTHERWISE SPECIFIED, DIMENSIONAL TOLERANCES ARE: (.x) ± --- (.xxx) ± --- (.xx) ± --- ANGLES ± ---			MATERIAL: -----		
00	9-07-16	BLR	BJPU	JADE	RELEASED	10216	THIRD ANGLE PROJECTION			DRAWING NUMBER: TF28182B01		
							DRAWN BY: BLR	DATE: 9-07-16	CHK BJPU	SCALE NONE	SHT 1 OF 1	SIZE <b>B</b>