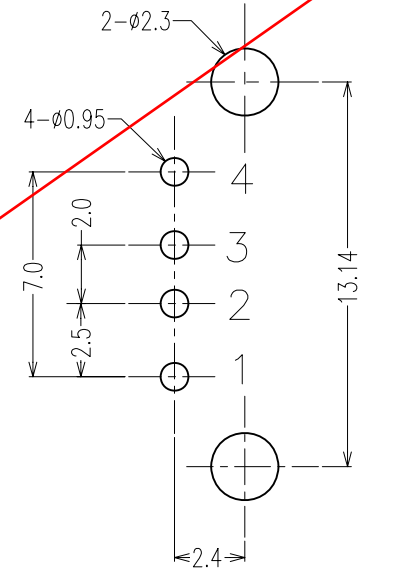
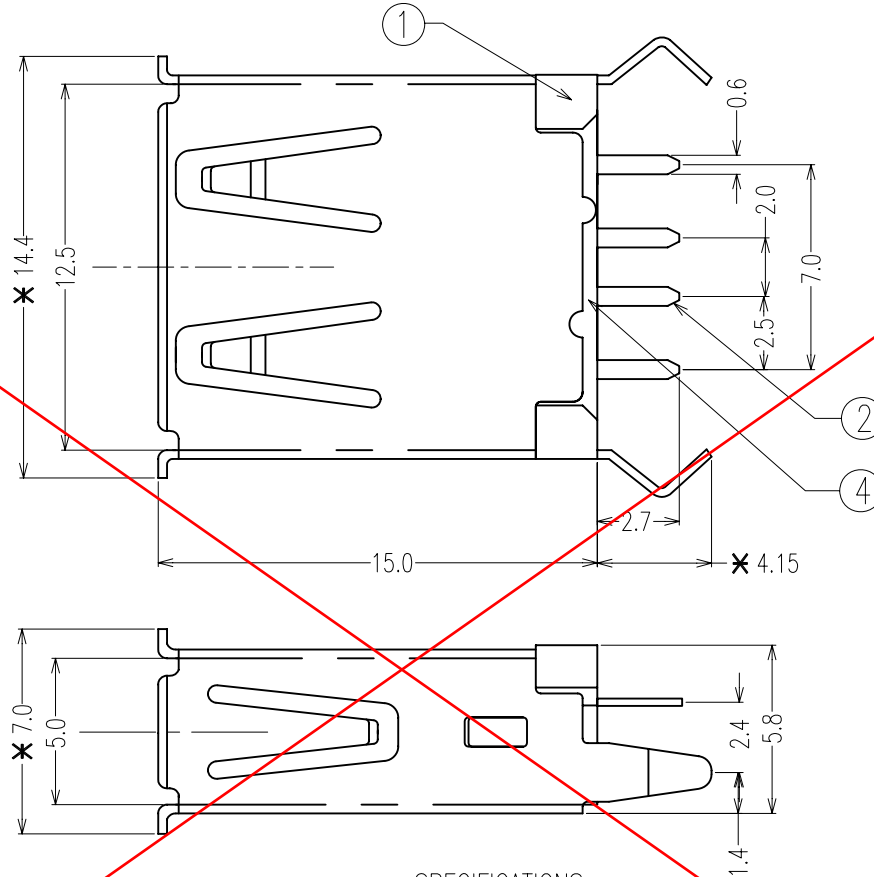
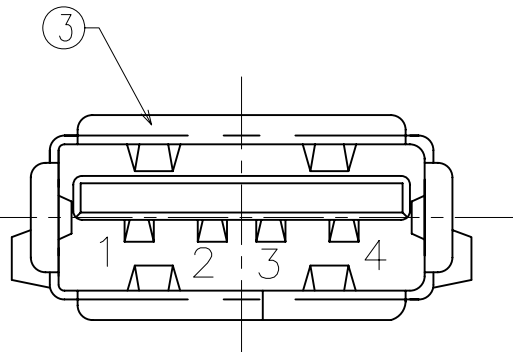


OBSOLETE



PCB LAYOUT (BOTTOM VIEW)



SPECIFICATIONS:

MATERIAL:-

- ① HOUSING: P.B.T G.F, WHITE, QTY:1
 - ② PIN TERMINAL: PHOSPHOR BRONZE, T=0.25mm, QTY: 4
 - ③ SHELL: BRASS, T=0.3mm, QTY: 1
 - ④ BOTTOM COVER: P.B.T G.F, WHITE, QTY: 1
- FINISH:-
- ② PIN TERMINAL: GOLD/TIN PLATED OVER NICKEL
 - ③ SHELL: TIN PLATED

NOTES: ALL DIMENSIONS AND NOTES MARKED * ARE CRITICAL AND MUST BE CHECKED IN ACCORDANCE WITH QUALITY DOC. Q1-02A

TOLERANCES
X.X = ±0.20mm
X.XX = ±0.10mm

NAME	Allan	ISS.	1	DATE	01.08.06	C/NOTE	-
APPROVED:	[Signature]						
CHECKED:	[Signature]						
DRAWN:	Allan						
CUSTOMER REF.:							
ASSEMBLY DRG:							

HARWIN

HARWIN USA
TEL: 603 893 5376
FAX: 603 893 5396
mis@harwin.com

HARWIN Europe (UK)
TEL: 023 9231 4545
FAX: 023 9231 4590
mis@harwin.co.uk

HARWIN Asia
TEL: +65 6 779 4909
FAX: +65 6 779 3868
mis@harwin.com.sg

THIS DRAWING AND ANY INFORMATION OR DESCRIPTIVE MATTER SET OUT HEREON ARE CONFIDENTIAL AND COPYRIGHT PROPERTY OF THE HARWIN GROUP AND MUST NOT BE DISCLOSED, LOANED, COPIED OR USED FOR MANUFACTURING, TENDERING OR FOR ANY OTHER PURPOSE WITHOUT THEIR WRITTEN PERMISSION.

TOLERANCES
X. = ±1mm
X.X = ±0.25mm
X.XX = ±0.10mm
X.XXX = ±0.01mm
ANGLES = ±5°
UNLESS STATED

MATERIAL: SEE NOTES
FINISH: SEE NOTES
S/AREA: mm²

TITLE: USB A TYPE FEMALE DIP 180°
DRAWING NUMBER: M701-240442