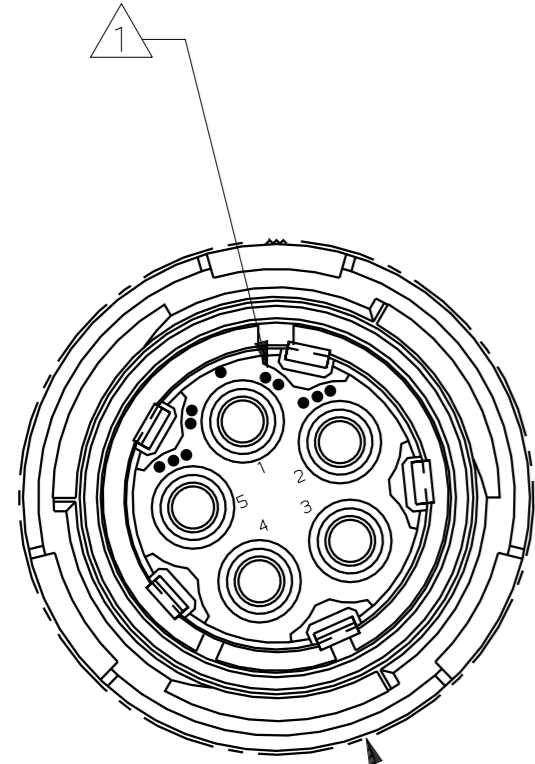
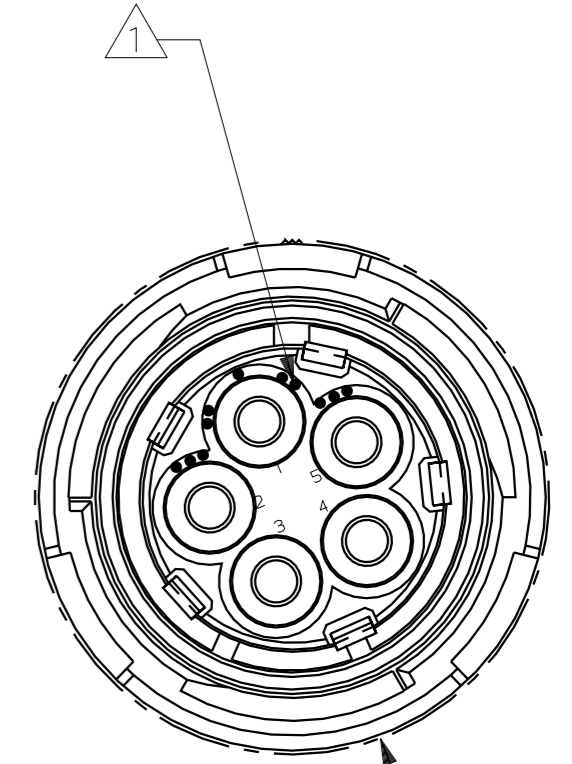
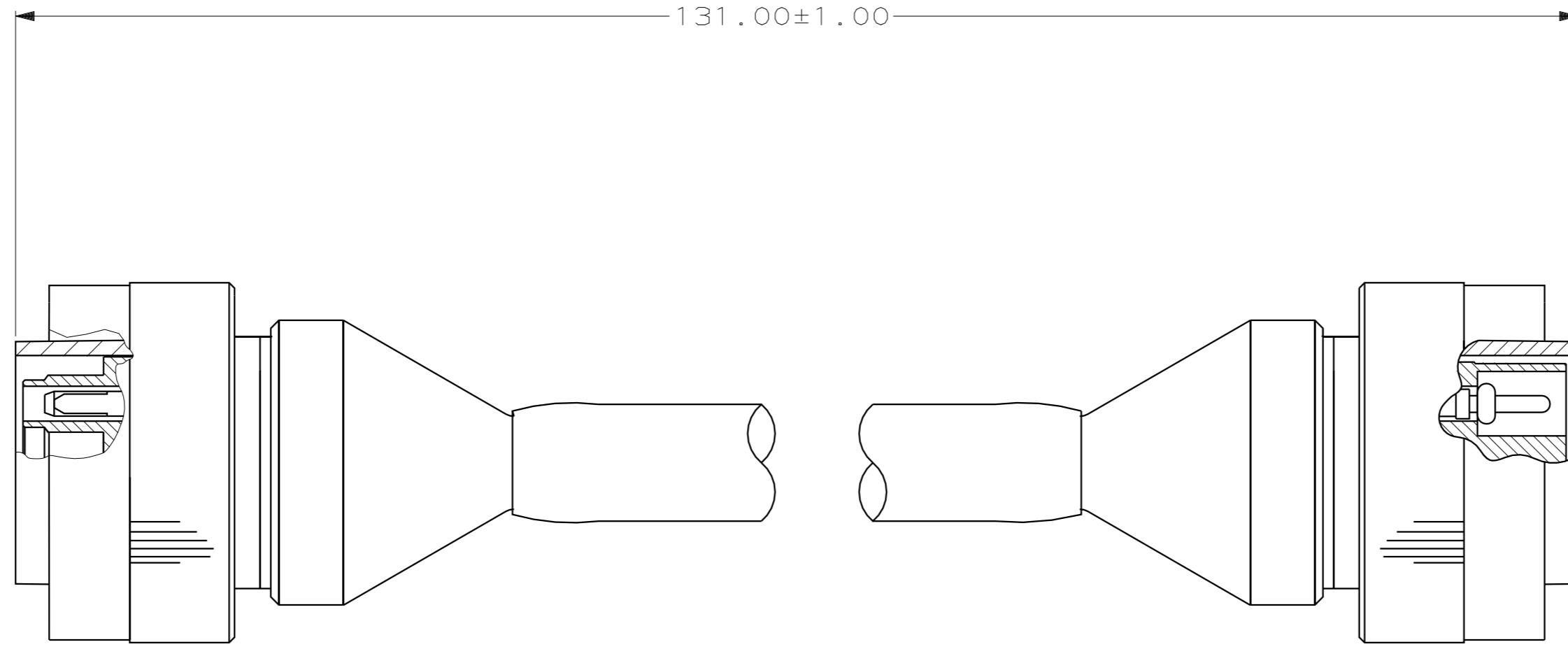


THIS DRAWING IS UNPUBLISHED. RELEASED FOR PUBLICATION  
 BY AMP INCORPORATED. ALL RIGHTS RESERVED.

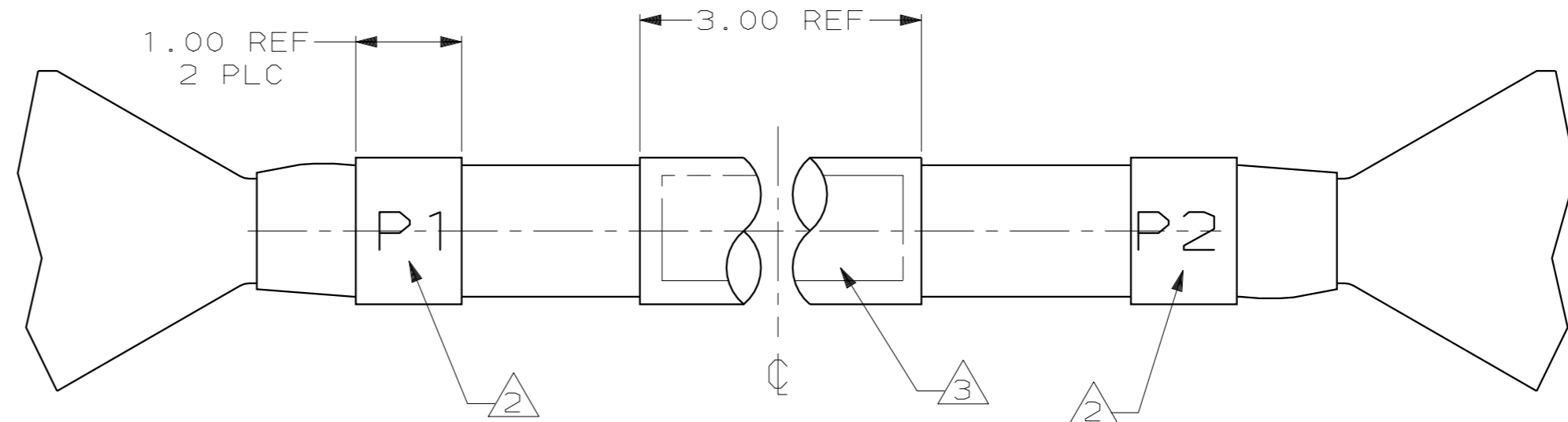
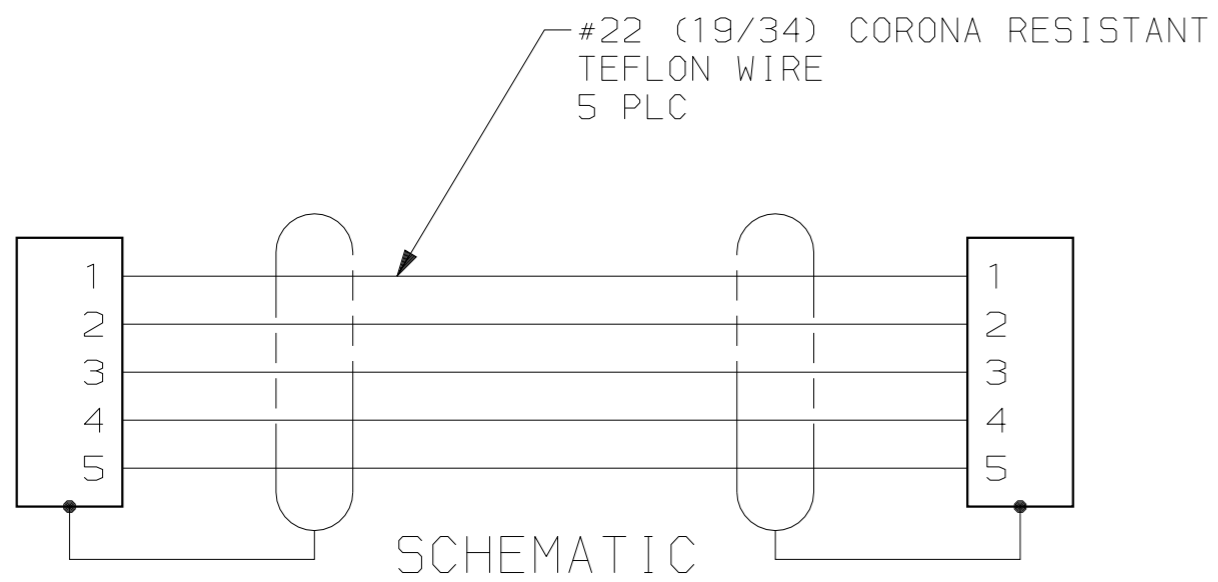
LOC	DIST	REVISIONS			
P	LTR	DESCRIPTION	DATE	DWN	APVD
DF	SO	B	REV PER 0H14-0575-04	8-25-04	CT DE



REF PLUG KIT  
TYCO PART NO. 864065-1



REF PLUG KIT  
TYCO PART NO. 864063-1



MARKING DETAIL

- ① DOUBLE DOT POLARIZATION.
- ② P1 & P2 MARKED IN THESE AREAS
- ③ TYCO INFORMATION AND CUSTOMER INFORMATION (PER TABLE) MARKED IN THIS AREA.

09062-A4A0463-1 REV. __ - 00779	1757231-1
CUSTOMER MARKING ③	PART NO.

THIS DRAWING IS A CONTROLLED DOCUMENT.		DWN C.C. THOMAS 7-26-04	<b>tyco</b> Electronics	TYCO Electronics Harrisburg, PA 17105-3608		<b>AMP</b>
DIMENSIONS: INCHES		CHK D.EABY 7-26-04		NAME D.EABY 7-26-04		
TOLERANCES UNLESS OTHERWISE SPECIFIED:		APVD D.EABY 7-26-04	PRODUCT SPEC		LGH CABLE ASSY, 5 POSN., DBL ENDED, PLUG TO PLUG	
0 PLC ±-		PRODUCT SPEC	APPLICATION SPEC		SIZE	RESTRICTED TO
1 PLC ±-		APVD	WEIGHT		CAGE CODE	A2 00779
2 PLC ±-		PRODUCT SPEC	CUSTOMER DRAWING		DRAWING NO	
3 PLC ±-		APPLICATION SPEC	SCALE		1757231	1
4 PLC ±-		WEIGHT	SHEET		1	1
ANGLES ±-		CUSTOMER DRAWING	REV		B	
FINISH -		SCALE	SHEET		1	1