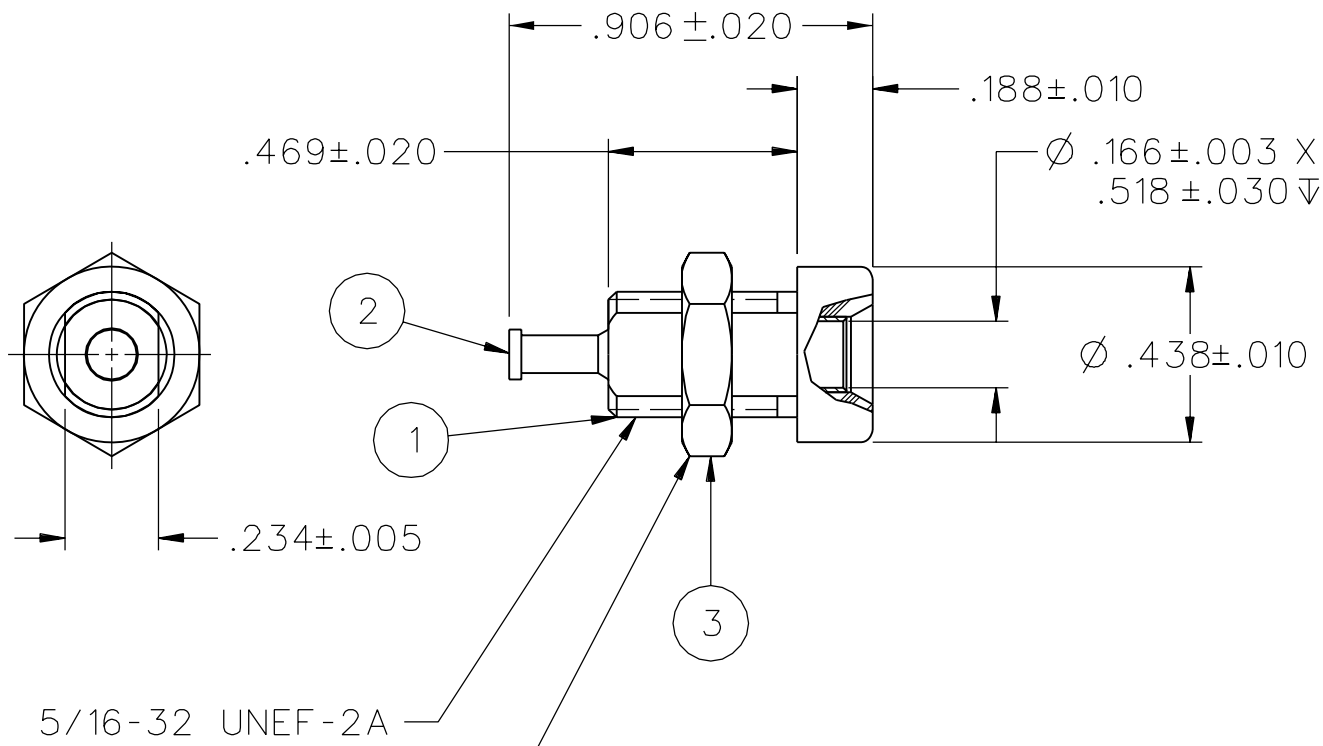
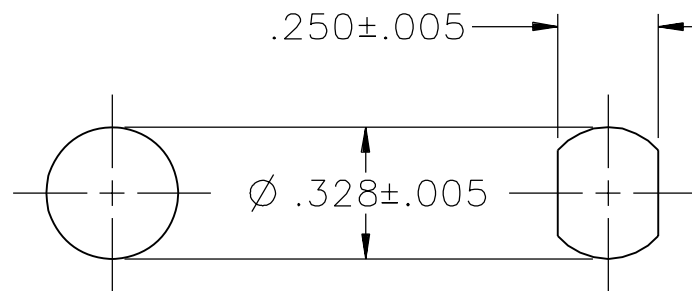


PART NUMBER	ITEM ①		ITEM ② CONTACT	ITEM ③ MOUNTING NUT
	BODY	COLOR		
108-2301-621	NYLON	WHITE	BRASS SILVER PL .0001 MIN OVER COPPER PL .00005 MIN	BRASS NICKEL PL .0001 MIN
108-2302-621		RED		
108-2303-621		BLACK		
108-2304-621		GREEN		
108-2305-621				
108-2306-621		ORANGE		
108-2307-621		YELLOW		
108-2308-621		BROWN		
108-2309-621				
108-2310-621		BLUE		
108-2311-621				
108-2312-621		VIOLET		
108-2313-621		GRAY		
108-2314-621				
108-2315-621				
108-2316-621				
108-2317-621				
108-2318-621				
108-2319-621				
108-2320-621				



.438 HEX REF X .125 THICK REF



MOUNTING HOLE OPTIONS

NOTES:
 SPECIFICATIONS:
 ELECTRICAL:
 CURRENT RATING: 15 AMPS DC MINIMUM
 DIELECTRIC WITHSTANDING VOLTAGE: 7000 VRMS MINIMUM AT SEA LEVEL
 RECOMMENDED WORKING VOLTAGE: 3500 VRMS MAXIMUM AT SEA LEVEL
 INSULATION RESISTANCE: 5000 MEGOHMS MINIMUM
 CONTACT RESISTANCE: 10 MILLIOHMS MAXIMUM
 CAPACITANCE: 2.4 pF NOMINAL
 MECHANICAL:
 CONTACT RETENTION IN INSULATOR FORCE: 20 LBS MINIMUM
 CONTACT RETENTION IN INSULATOR TORQUE: 12 IN OZ MINIMUM
 INSULATOR RETENTION IN .062 PANEL FORCE: NOT APPLICABLE
 INSULATOR RETENTION IN .062 PANEL TORQUE: NOT APPLICABLE
 PLASTIC MOUNTING THREAD STRIPPING TORQUE: 6 IN LB MINIMUM
 WIRE ACCEPTABILITY: NOT APPLICABLE
 WIRE ATTACHMENT: NOT APPLICABLE
 MATING BANANA PLUG SPRING WIDTH: .175 NOMINAL
 DURABILITY: 1000 CYCLES MINIMUM
 ENVIRONMENTAL:
 (MEETS OR EXCEEDS THE APPLICABLE PARAGRAPH OF MIL-C-39024)
 OPERATING TEMPERATURE: -55 DEG C TO 85 DEG C
 TEMPERATURE RISE AT RATED CURRENT: 10 DEG C MAXIMUM
 CORROSION: MIL-STD-1344, METHOD 1001, CONDITION B
 SHOCK: MIL-STD-1344, METHOD 2004, CONDITION G
 VIBRATION: MIL-STD-1344, METHOD 2005, CONDITION I
 HUMIDITY: MIL-STD-1344, METHOD 1002, CONDITION B

DRAWING NO. 2301
 B - 108-2320-621
 0 REVISIONS
 REVISED AND REDRAWN. DRAWING WAS PART OF "c" SIZE DRAWING # 108-2301-621/2320-640, SPLIT INTO 3 SEPERATE DRAWINGS
 4a 11-10-97 R_H R_J B ECN 45113

CUSTOMER DRAWING
 THIS DRAWING TO BE INTERPRETED PER ASME Y 14.5M - 1994
 "μSTATION"
 COMPANY CONFIDENTIAL

TOLERANCE UNLESS OTHERWISE SPECIFIED	DRAWN BY RJB	DATE 9-20-97
DECIMALS	CHECKED BY	DATE
.XX		
.XXX ±.003		
MATL	APPROVED BY RJB	DATE 11-11-97
FINISH	RELEASE DATE (11-11-97)	
	U/M INCH	SCALE 2:1

cinch CONNECTIVITY SOLUTIONS a bel group
 Cinch Connectivity Solutions
 P.O. Box 1732
 Waseca, MN 56093
 1-800-247-8256

TITLE ASSEMBLY, BANANA JACK, INSULATED THREADED PANEL MOUNT, TURRET TERMINAL	SHEET 2 OF 2	DRAWING NO. 2301 B - 108-2320-621
---	-----------------	---