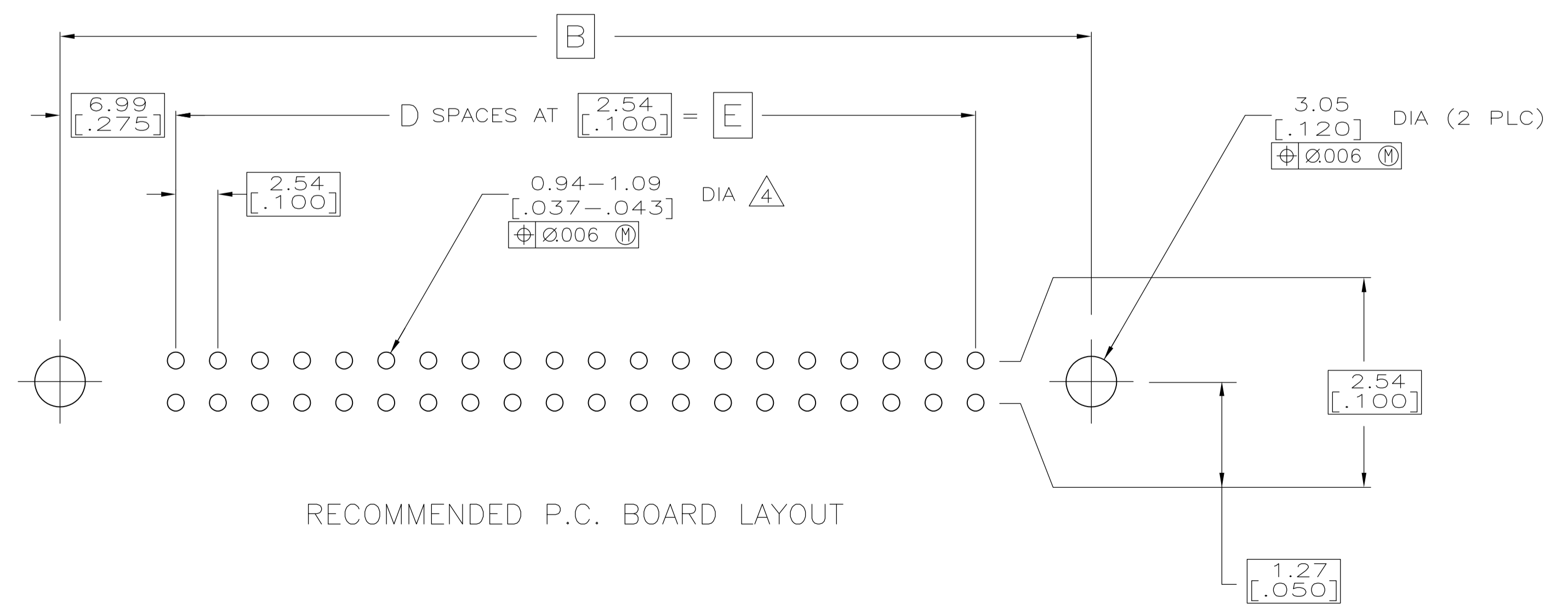
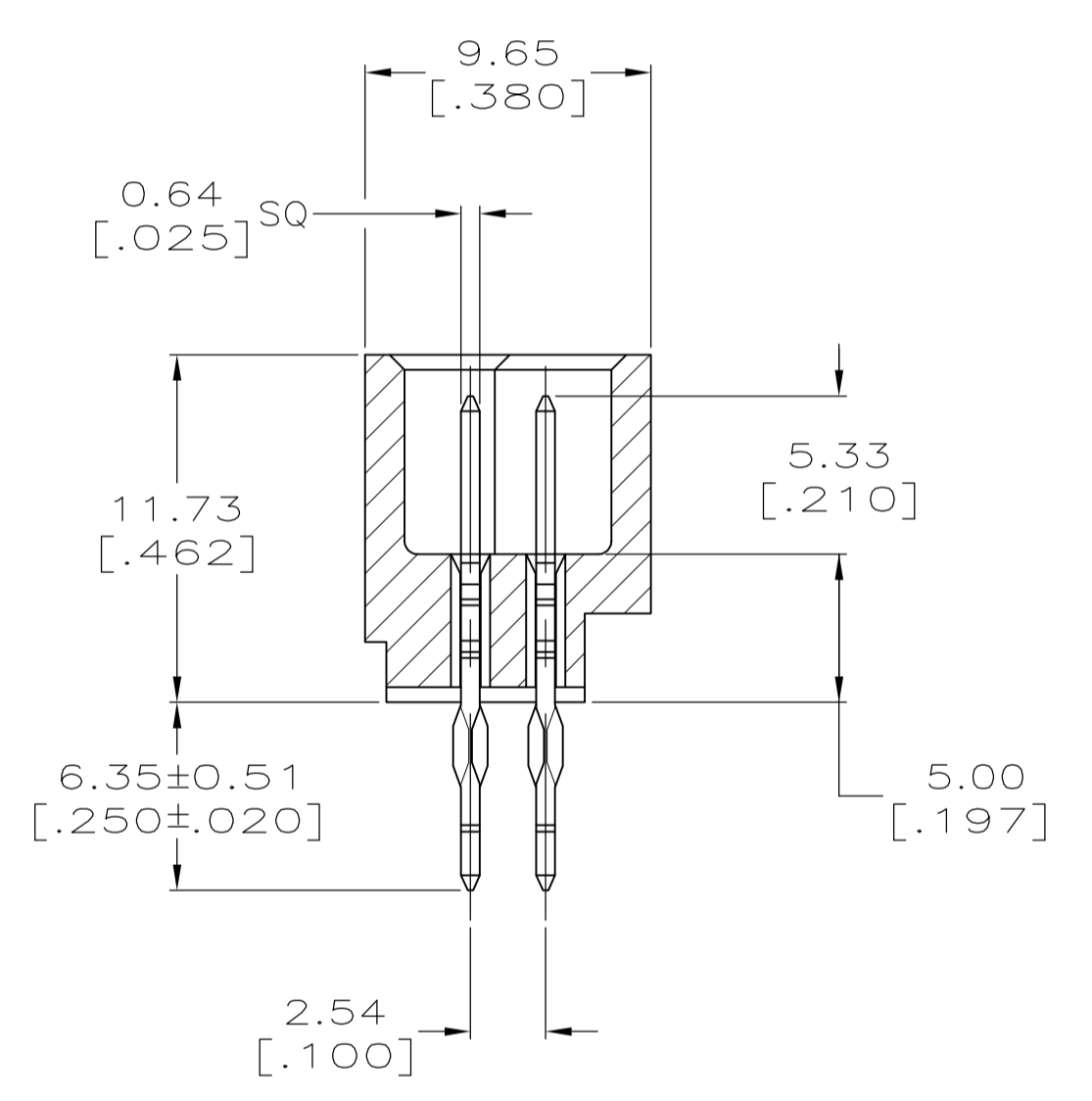
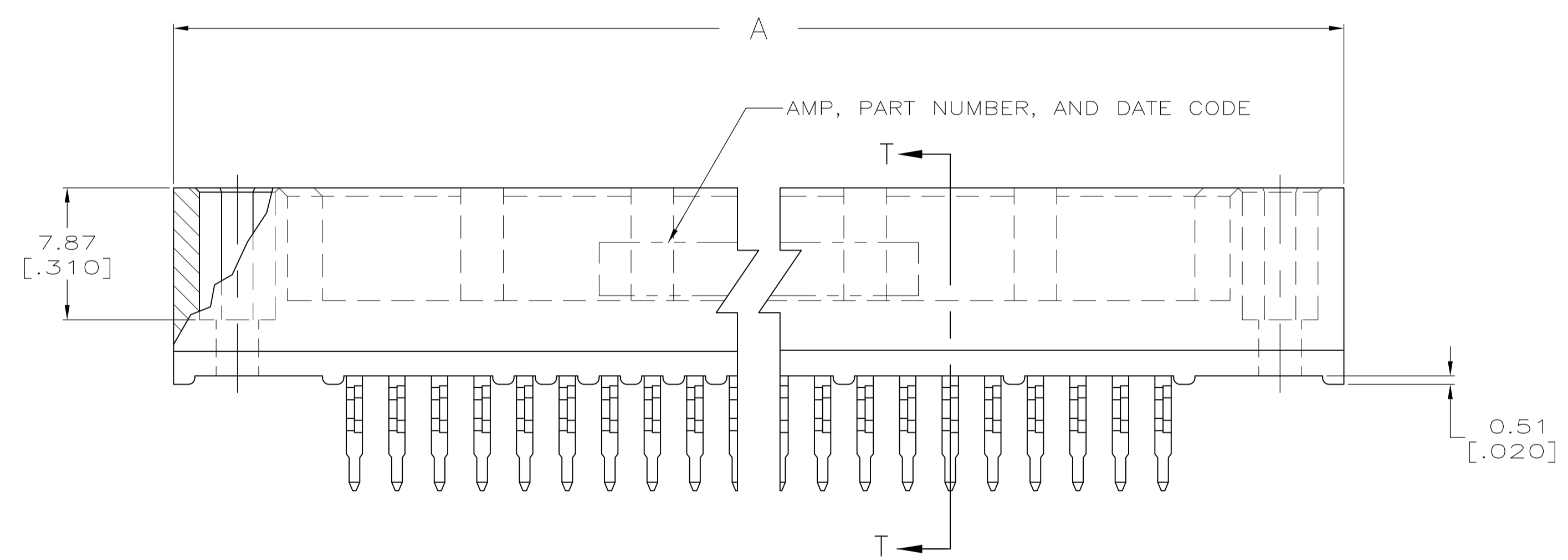
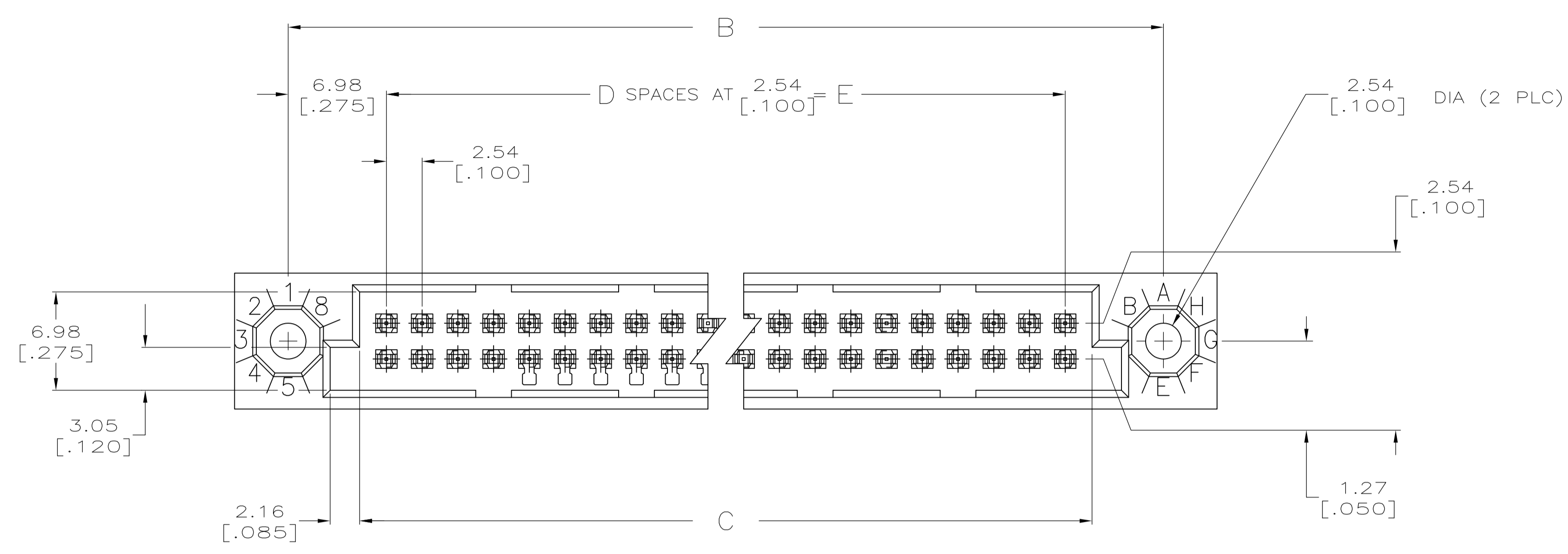


- 1 HOUSING MATERIAL: THERMOPLASTIC, COLOR-NATURAL.
- 2 CONTACT MATERIAL: PHOSPHOR BRONZE.
- 3 CONTACT FINISH: .00127-.00254 [.000050-.000100] NICKEL UNDERPLATE ALL OVER; .00076 [.000030] GOLD PLATE IN CONTACT AREA, TIN PLATED POSTS.
- 4 ACTION PIN POSTS REQUIRE 2.36 [.093] MIN THICK P.C. BOARD. RECOMMENDED P.C. BOARD HOLES ARE DEFINED IN APPLICATION SPECIFICATION 114-9008
- 5 HOUSINGS WITH CENTER MOUNTING IS RECOMMENDED FOR ASSEMBLIES HAVING 75 CONTACTS PER ROW OR MORE.



251.46 [9.900]	99	255.27 [10.050]	265.43 [10.450]	273.05 [10.750]	200	1-5532446-9
187.96 [7.400]	74	191.77 [7.550]	201.93 [7.950]	209.55 [8.250]	150	1-5532446-4
149.86 [5.900]	59	153.67 [6.050]	163.83 [6.450]	171.45 [6.750]	120	1-5532446-1
124.46 [4.900]	49	128.27 [5.050]	138.43 [5.450]	146.05 [5.750]	100	5532446-9
99.06 [3.900]	39	102.87 [4.050]	113.03 [4.450]	120.65 [4.750]	80	5532446-7
73.66 [2.900]	29	77.47 [3.050]	87.63 [3.450]	95.25 [3.750]	60	5532446-5
60.96 [2.400]	24	64.77 [2.550]	74.93 [2.950]	82.55 [3.250]	50	5532446-4
E	D	C	B	A	POSN	PART NUMBER

THIS DRAWING IS A CONTROLLED DOCUMENT.

DIMENSIONS: mm [INCHES]

TOLERANCES UNLESS OTHERWISE SPECIFIED:

0 PLC	±	-
1 PLC	±	-
2 PLC	±	-
3 PLC	±	0.13 [.005]
4 PLC	±	-
ANGLES	±	-

MATERIAL: 1 2 3

FINISH: 3

APPROVED: J. POLIGNONE 11MAY05, A. SHARPE 11MAY05, A. SHARPE 11MAY05

NAME: ASSEMBLY, PIN, VERTICAL, HDI, 2 ROW WITHOUT GUIDE PINS, 6.35[.250] LONG ACTION PINS, .00076 [.000030] GOLD PLATE

SIZE: A1, CASE CODE: 00779, DRAWING NO: 5532446, RESTRICTED TO: 1

CUSTOMER DRAWING, SCALE: 4:1, SHEET: 1 OF 1, REV: 03