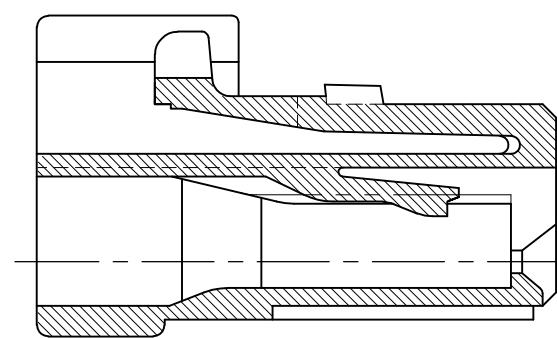
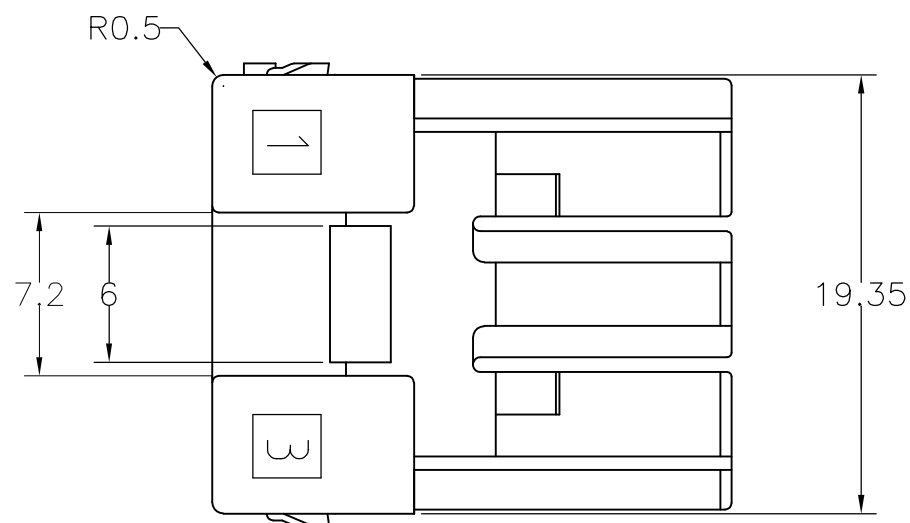


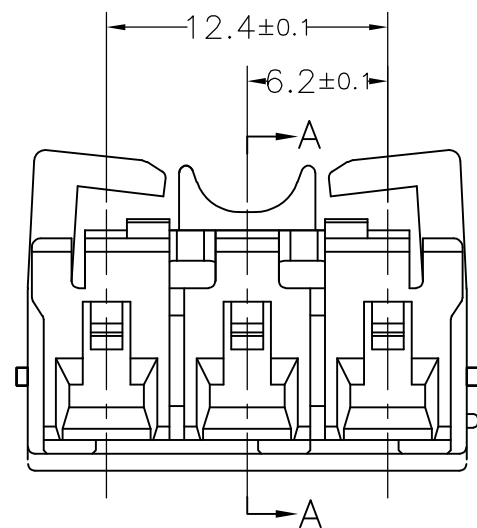
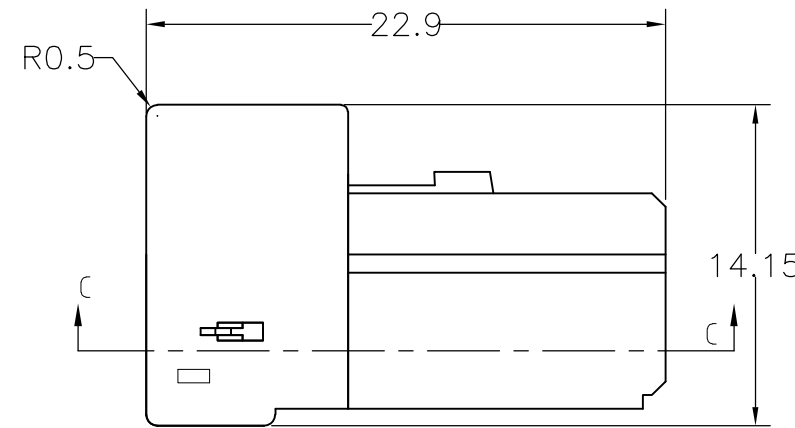
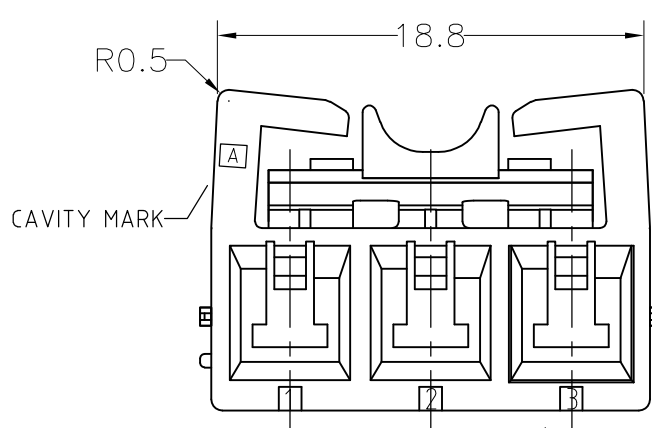
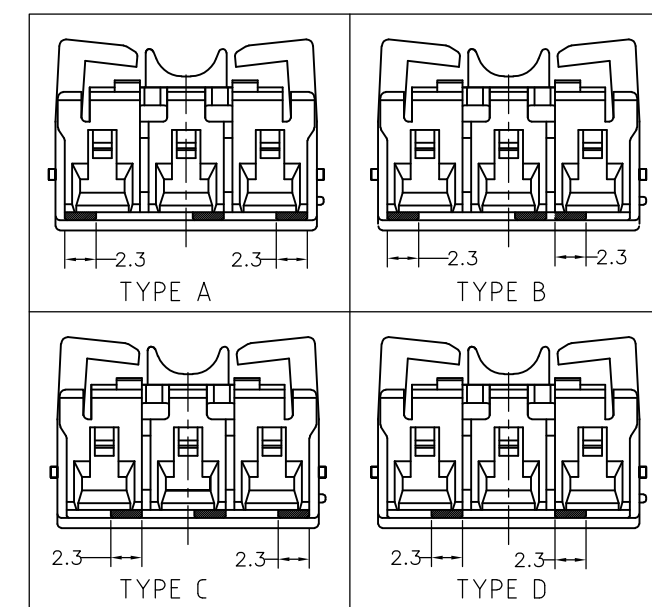
THIS DRAWING IS UNPUBLISHED. RELEASED FOR PUBLICATION
 © COPYRIGHT BY TYCO ELECTRONICS CORPORATION. ALL RIGHTS RESERVED.

LOC	DIST	REVISIONS					
J	—	P	LTR	DESCRIPTION	DATE	DWN	APVD
			C1	REVISED PER ECR-15-009895	2JULY2015	A.Q	D.Z



断面 A-A
SECT A-A

TYPE OF KEYING



回路番号
CIRCUIT NO.

TRADE MARK

- 注) 1.一般公差:±0.25
 2.材料: 66ナイロン ガラス無(UL94V-0)
 3.適用リセコンタクト製品型番: 1746971-1
 1746972-1
 △かん合相手製品型番
 キャップハウジング: TABLE参照のこと
 タブコンタクト: 1746973-1
 1746974-1

- NOTES)
 1.GENERAL TOLERANCE : ±0.25
 2.MATERIAL : 66 NYLON NON-GLASS FILLED (UL94V-0)
 3.APPLICABLE RECEPTACLE P/N :1746971-1
 1746972-1
 △ MATING CONN. P/N
 CAP HOUSING : SEE TABLE
 TAB CONTACT : 1746973-1
 1746974-1
 △ PRELIMINARY NOT FOR PRODUCTION

1-1746978-1 △	A	NATURAL	1-1871867-1 △
1746978-1	A	NATURAL	1871867-1
△ MATING HSG P/N	KEYING TYPE	COLOR	P/N

THIS DRAWING IS A CONTROLLED DOCUMENT.		DWN A.HIROTA 6SEP2005	Tyco Electronics AMP K.K. Kawasaki,Japan	
DIMENSIONS: 単位: 耗 MM	TOLERANCES UNLESS OTHERWISE SPECIFIED: 一般公差	CHK N.YAMASAKI 6SEP2005	NAME N.YAMASAKI	
	0 PLC ± -	APVD N.YAMASAKI 6SEP2005	PRODUCT SPEC 製品規格 108-5979	
	1 PLC ± -		APPLICATION SPEC 取付適用規格 114-5356	
MATERIAL 材料 66NYLON(UL94V-0)	FINISH 仕上 -	WEIGHT -	SIZE A3	CAGE CODE 00779
CUSTOMER DRAWING			DRAWING NO 番号 C-1871867	RESTRICTED TO -
			SCALE 尺度 3:1	SHEET 1 OF 1
				REV C1