

# Customer Information Sheet

DRAWING No.: M80-001

SHEET 3 OF 3

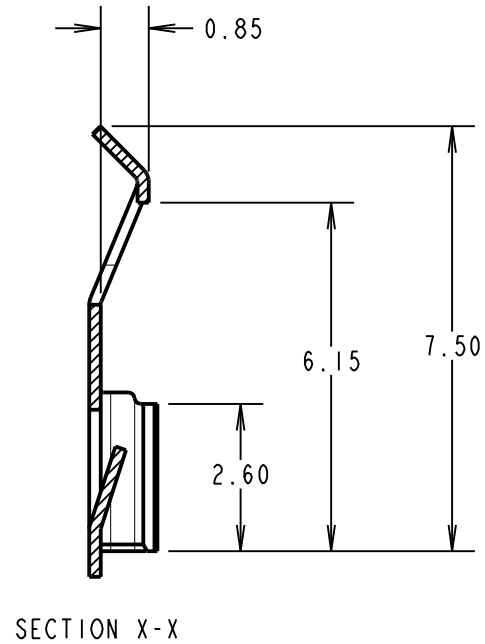
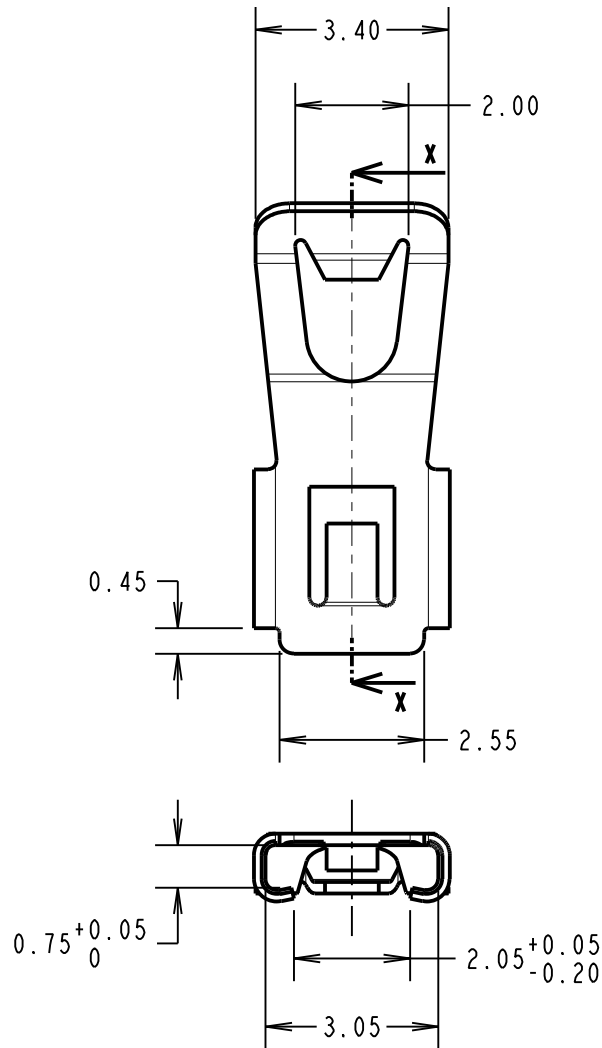
IF IN DOUBT - ASK

©

NOT TO SCALE

THIRD ANGLE PROJECTION

ALL DIMENSIONS IN mm



NOTES:  
 1. SUITABLE FOR USE WITH ANY MALE CONNECTOR IN THE M80 (DATAMATE) SERIES.

SPECIFICATIONS:  
 MATERIAL = BERYLLIUM COPPER  
 FINISH = 1.25 $\mu$ /2.0 $\mu$  NICKEL  
 ALL OTHER APPLICABLE SPECIFICATIONS ARE SHOWN IN COMPONENT SPECIFICATION C005XX (LATEST ISSUE), AND APPLY WHEN LATCH IS ATTACHED TO CONNECTOR.

|                |      |            |        |
|----------------|------|------------|--------|
| MSP            | 16   | 22.12.14   | 12756  |
| NAME           | ISS. | DATE       | C/NOTE |
| APPROVED:      |      | M. PERREN  |        |
| CHECKED:       |      | S. BENNETT |        |
| DRAWN:         |      | M. A. TODD |        |
| CUSTOMER REF.: |      |            |        |
| ASSEMBLY DRG:  |      |            |        |

**HARWIN**

www.harwin.com  
 technical@harwin.com

THIS DRAWING AND ANY INFORMATION OR DESCRIPTIVE MATTER SET OUT HEREON ARE CONFIDENTIAL AND COPYRIGHT PROPERTY OF THE HARWIN GROUP AND MUST NOT BE DISCLOSED, LOANED, COPIED OR USED FOR MANUFACTURING, TENDERING OR FOR ANY OTHER PURPOSE WITHOUT THEIR WRITTEN PERMISSION.

TOLERANCES  
 X. =  $\pm 1$ mm  
 X.X =  $\pm 0.25$ mm  
 X.XX =  $\pm 0.10$ mm  
 X.XXX =  $\pm 0.01$ mm  
 ANGLES =  $\pm 5^\circ$   
 UNLESS STATED

MATERIAL:  
 SEE ABOVE

FINISH:  
 SEE ABOVE

S/AREA:  
 mm<sup>2</sup>

TITLE:  
 DATAMATE LOCKING LATCH

DRAWING NUMBER:  
**M80-001**

SHT  
 3 OF 3