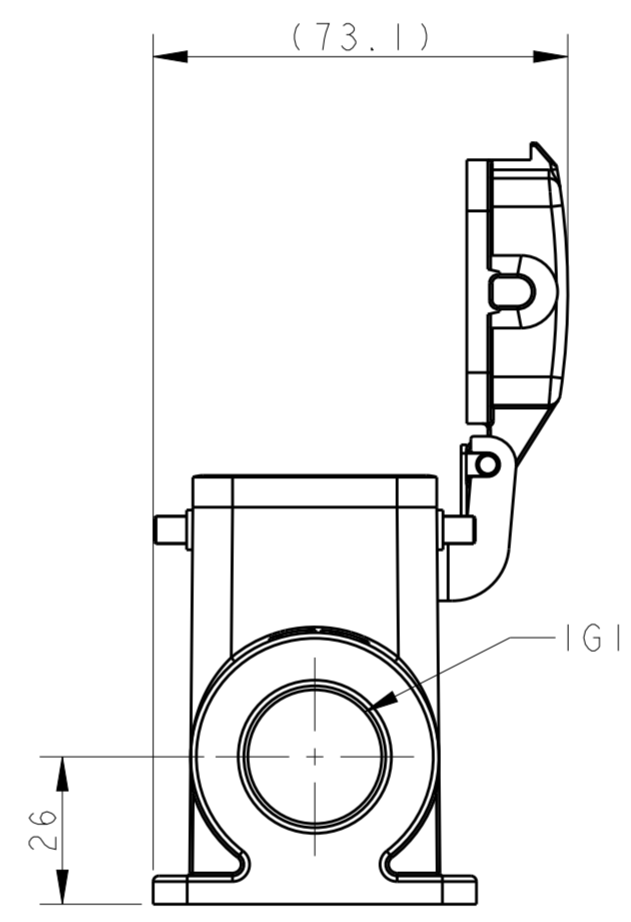
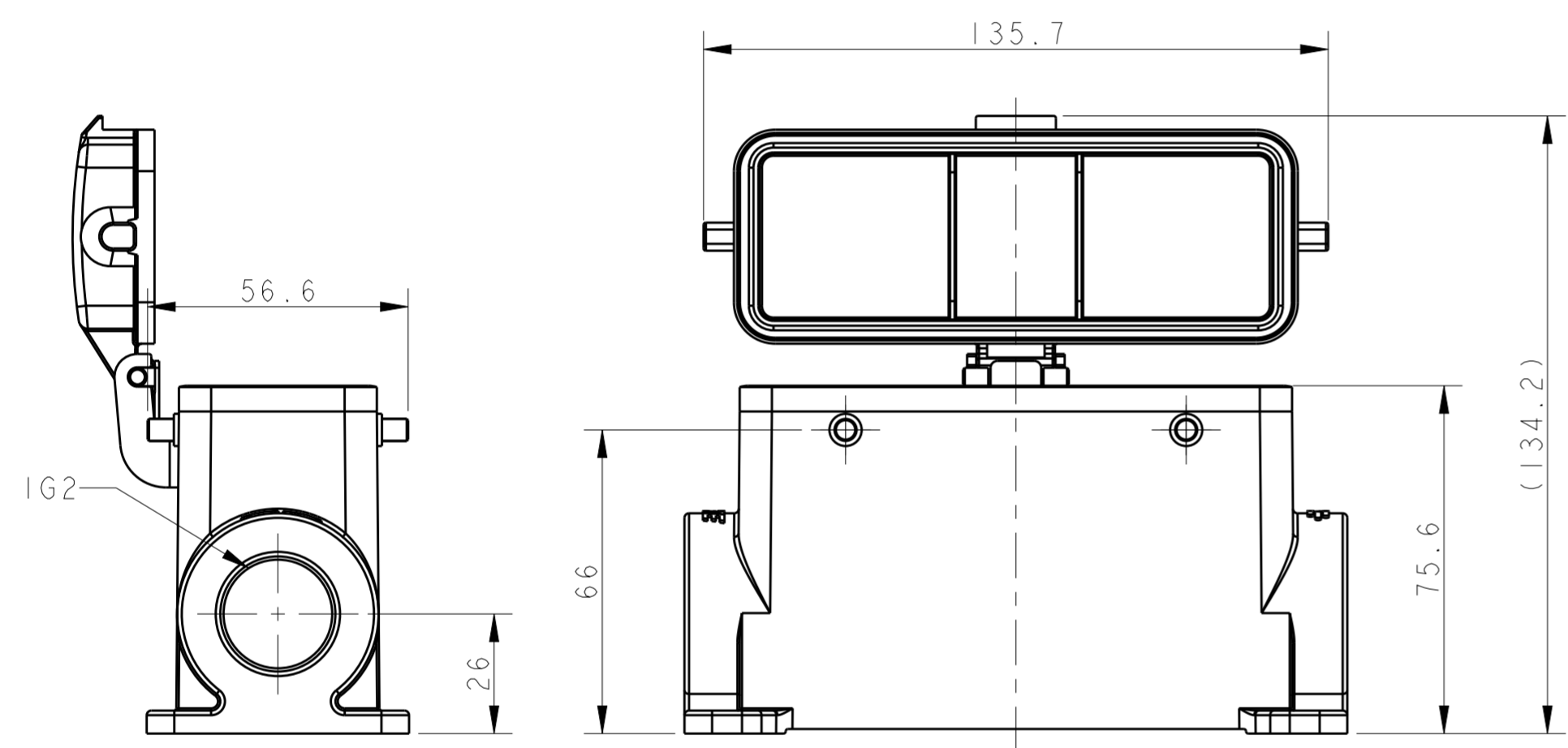
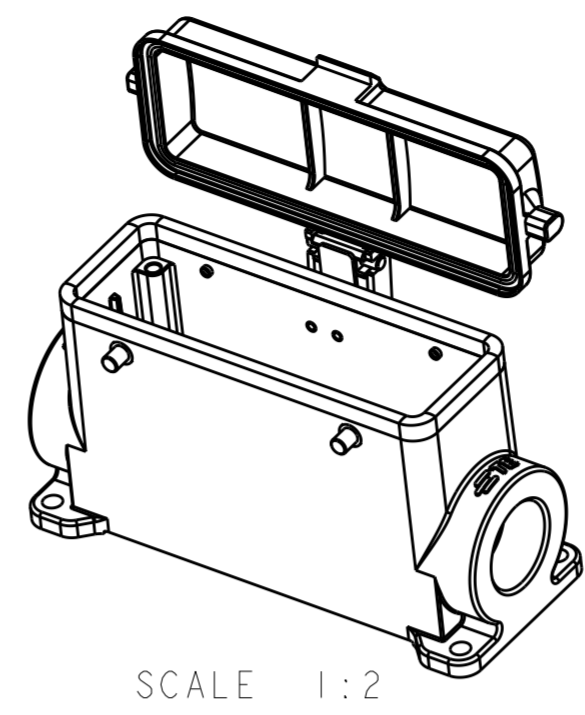
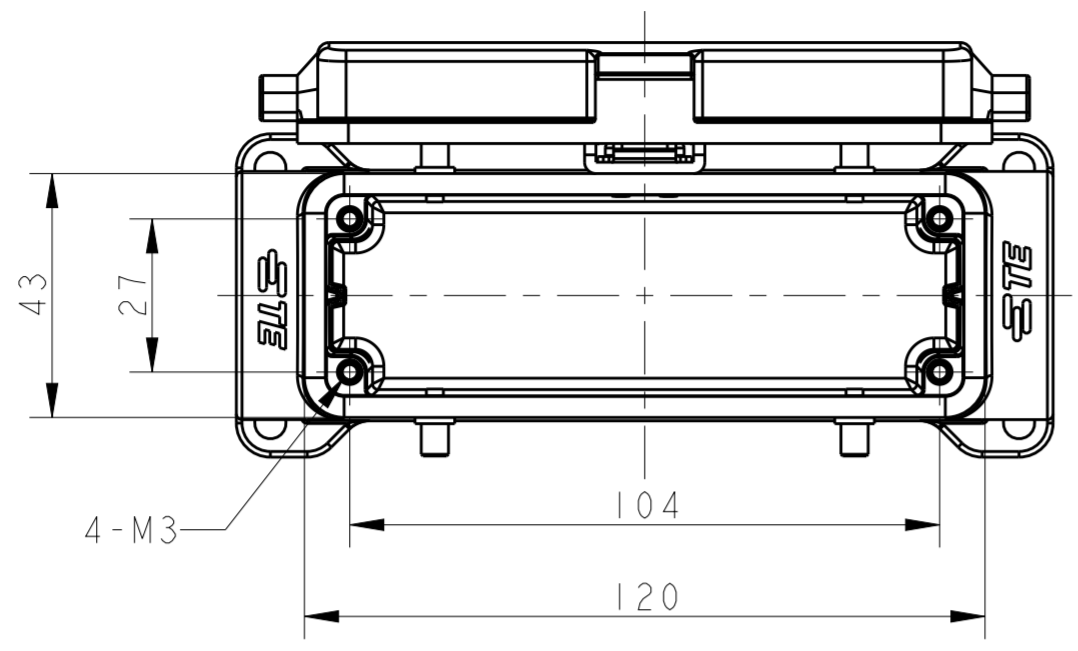


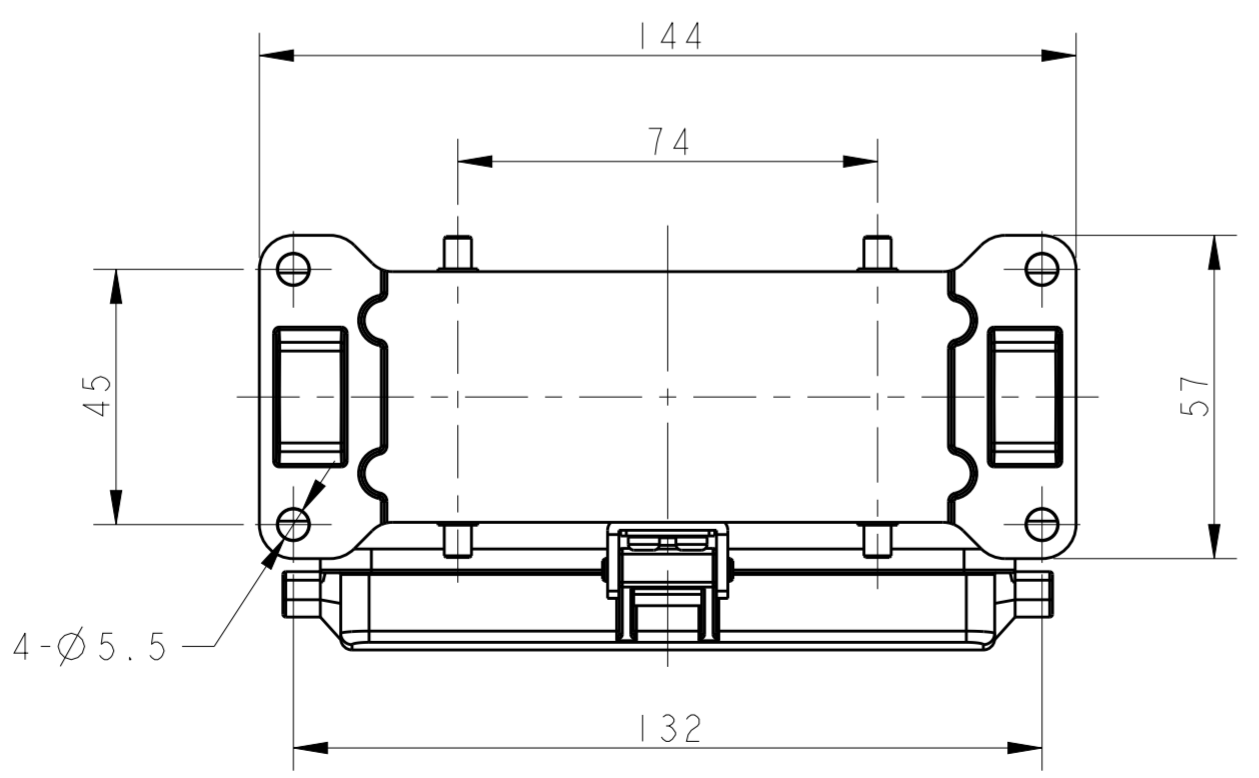
THIS DRAWING IS UNPUBLISHED. RELEASED FOR PUBLICATION 20
 © COPYRIGHT 20 BY - ALL RIGHTS RESERVED.

REVISIONS				
P	LTR	DESCRIPTION	DATE	APVD
A		INITIAL RELEASE	17JUN2015	DL CW



NOTES:
 1. TECHNICAL CHARACTERISTICS:
 BODY MATERIAL: DIE CAST ALUMINIUM ALLOY
 SURFACE TREATMENT: POWDER-COATED, GRAY
 OPERATION TEMPERATURE: -40-+125°C
 DEGREE OF PROTECTION: IP65 (MATED)

注释:
 1. 技术参数:
 主体材料: 铝合金
 表面处理: 粉末喷涂, 灰色
 工作温度: -40-+125°C
 防护等级: IP65(配合)



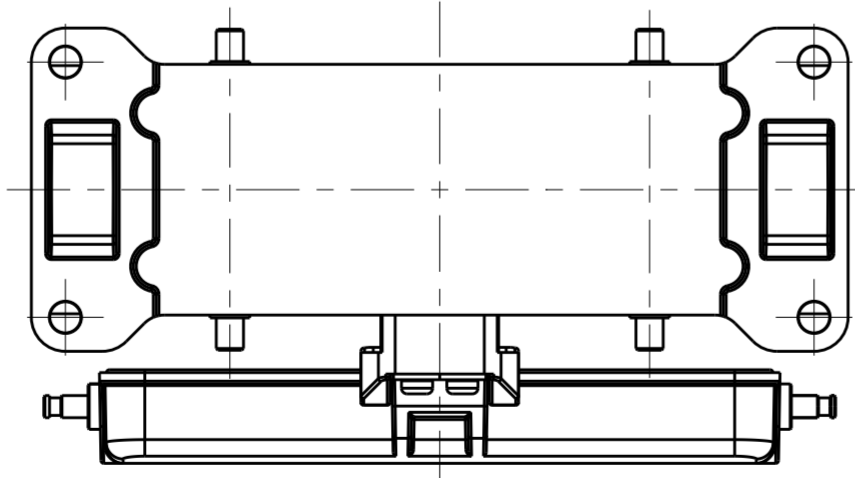
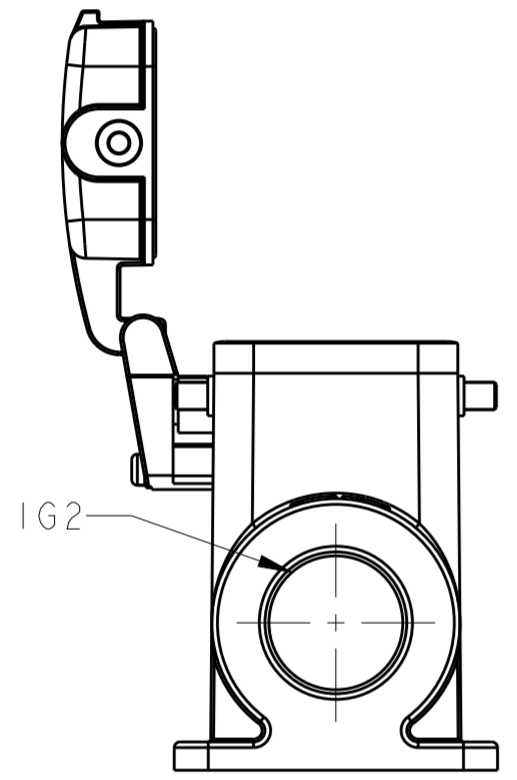
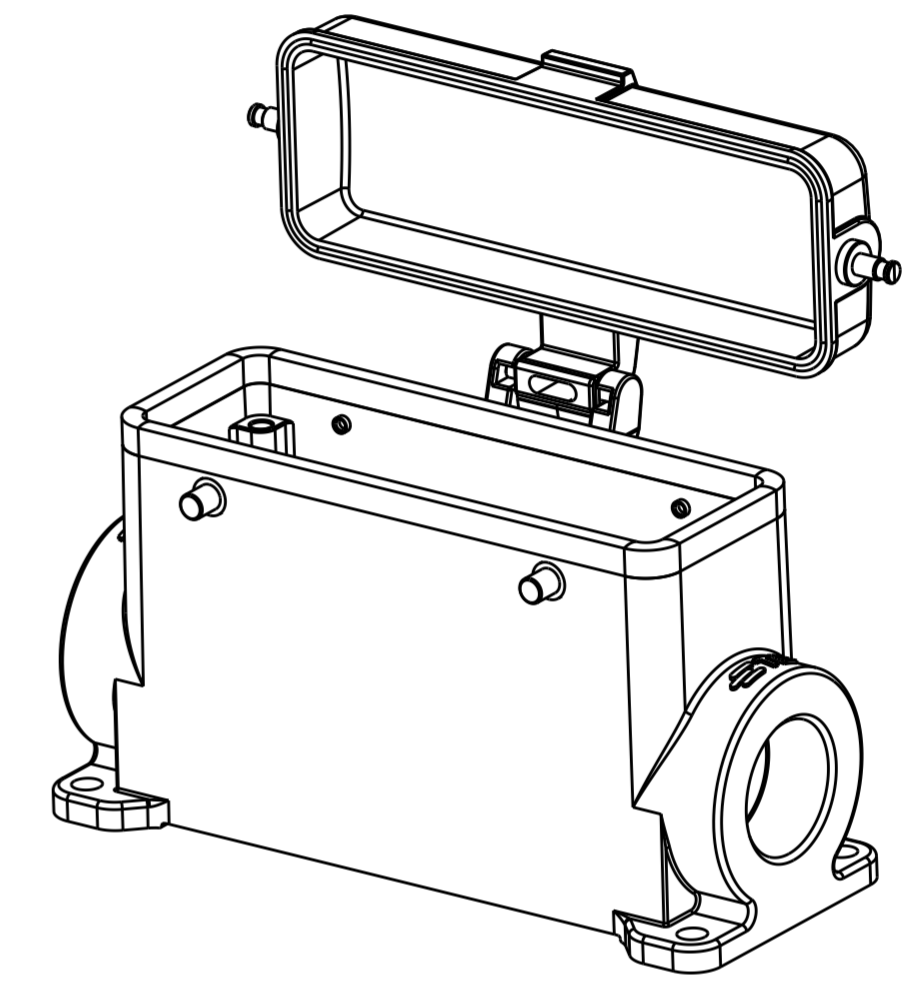
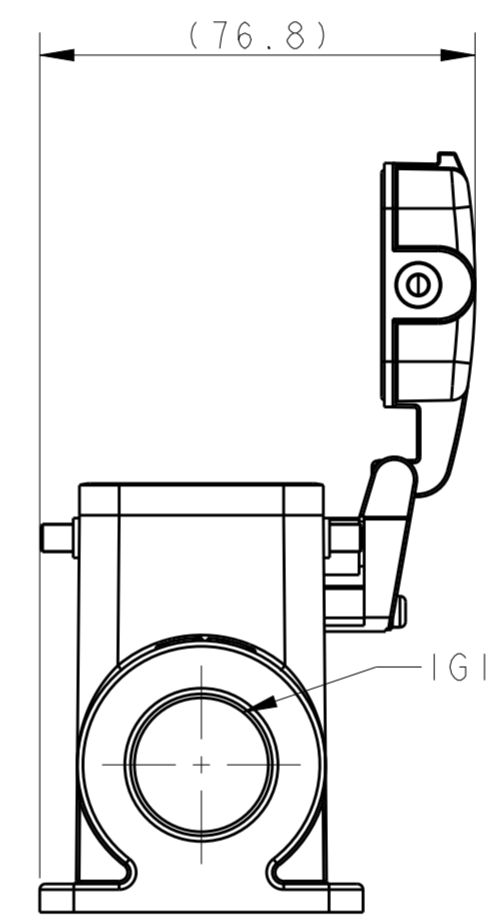
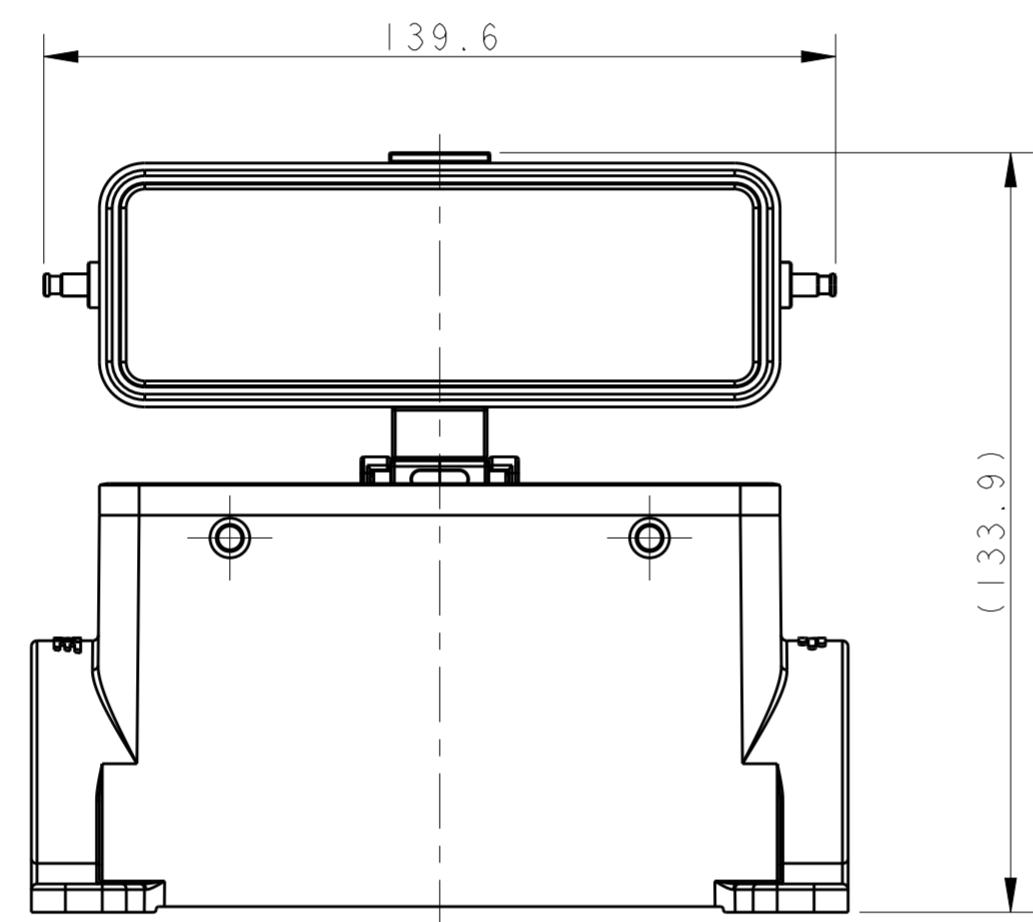
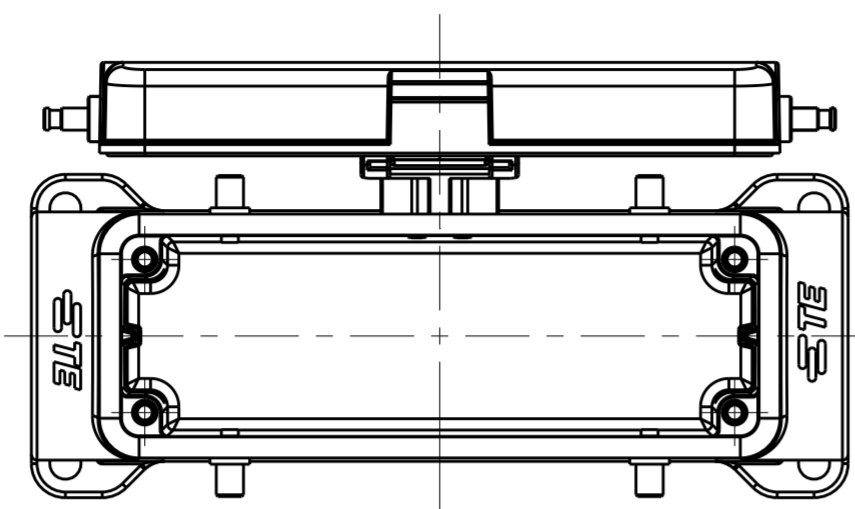
TYPE 1: HIGH BODY + PLASTIC PROTECTON COVER

TI490240121-000	TYPE 1	H24B-SDRH-BO-PG21	PG21	-
TI490240125-000		H24B-SDRH-BO-M25	M25	-
TI490240129-000		H24B-SDRH-BO-PG29	PG29	-
TI490240132-000		H24B-SDRH-BO-M32	M32	-
TI490240221-000		H24B-SDRH-BO-2PG21	PG21	PG21
TI490240229-000		H24B-SDRH-BO-2PG29	PG29	PG29
TI490240232-000		H24B-SDRH-BO-2M32	M32	M32
ASSEMBLY PART NUMBER	TYPE	ASSEMBLY PART DESCRIPTION	IG1	IG2

THIS DRAWING IS A CONTROLLED DOCUMENT.		DWN DAVID LI 17JUN2015	TE Connectivity	
		CHK CHRIS WANG 17JUN2015		
		APVD XU XIANG 17JUN2015	NAME H24B-SDRH-BO-PG/M & DWG_TITLE_2	
DIMENSIONS: mm		PRODUCT SPEC 108-137013	SIZE A2	
TOLERANCES UNLESS OTHERWISE SPECIFIED:		APPLICATION SPEC 114-137013	CAGE CODE -	
0 PLC ±		WEIGHT -	DRAWING NO. C-TI49024XXXX000	
1 PLC ±		RESTRICTED TO -		
2 PLC ±		SCALE 3:4		
3 PLC ±		SHEET 1 OF 2		
4 PLC ±		REV A		
ANGLES ±				
FINISH -				
MATERIAL TBD		CUSTOMER DRAWING		

THIS DRAWING IS UNPUBLISHED. RELEASED FOR PUBLICATION 20
 © COPYRIGHT 20 BY - ALL RIGHTS RESERVED.

REVISIONS				
P	LTR	DESCRIPTION	DATE	APVD
A		INITIAL RELEASE	17JUN2015	DL CW



TYPE 2: HIGH BODY + METAL PROTECTON COVER
 OTHER SPEC REFER TO TYPE 1

TI490241121-000	TYPE 2	H24B-SDRHM-BO-PG21	PG21	-
TI490241129-000		H24B-SDRHM-BO-PG29	PG29	-
TI490241132-000		H24B-SDRHM-BO-M32	M32	-
TI490241221-000		H24B-SDRHM-BO-2PG21	PG21	PG21
TI490241229-000		H24B-SDRHM-BO-2PG29	PG29	PG29
TI490241232-000		H24B-SDRHM-BO-2M32	M32	M32
ASSEMBLY PART NUMBER	TYPE	ASSEMBLY PART DESCRIPTION	IG1	IG2

THIS DRAWING IS A CONTROLLED DOCUMENT.

DWN DAVID LI 17JUN2015	TE Connectivity	NAME H24B-SDRH-BO-PG/M &DWG_TITLE_2		
CHK CHRIS WANG 17JUN2015				
APVD XU XIANG 17JUN2015				
PRODUCT SPEC 108-137013				
APPLICATION SPEC 114-137013	SIZE A2	CAGE CODE -	DRAWING NO. C-TI49024XXXX000	RESTRICTED TO -
MATERIAL TBD	WEIGHT -	SCALE 3:4	SHEET 2 OF 2	REV A
CUSTOMER DRAWING				