

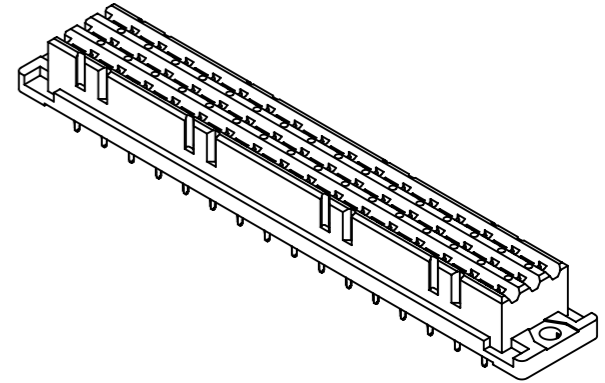
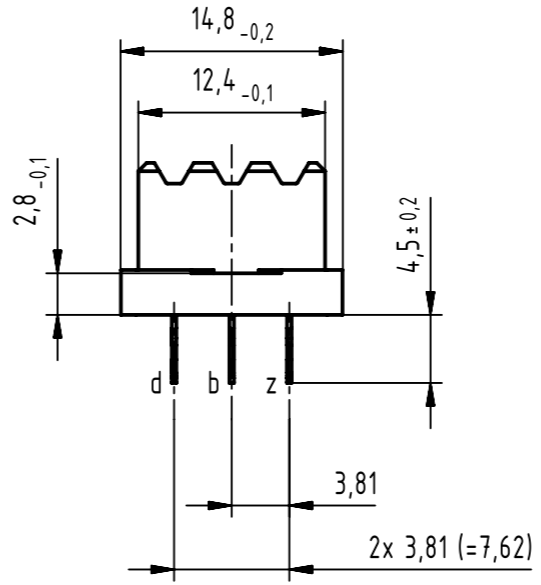
X
Lochbild
board drillings

X
Kontaktanordnung
contact arrangement

48 Einpress Kontakte
48 press-in contacts

☒ = Kontaktposition belegt
= position with contact
☐ = Kontaktposition nicht belegt
= position without contact

Z (2:1)



Empfohlener Lochaufbau und
weitere Informationen siehe: DS 09062100006
recommended configuration of plated through holes
and further information see: DS 09062100006

09 06 248 6832	2
09 06 248 2832	1
Bestell-Nr. part-no.	Anforderungsstufe performance level 1

	All Dimensions in mm Original Size DIN A3	Scale 1:1	Free size tol. complementary IEC 60603-2	Ref. Sub. TB 0906248x832 Mod. 36516 08.05.12		
	All rights reserved Department EC PD - DE	Created by LEHNERT	Inspected by LUECKEMEIERM	Standardisation HOFFMANN	Date 2013-05-13	State Final Release
HARTING Electronics GmbH D-32339 Espelkamp		Title DIN Power type F low-prof. fem. press-in			Doc-Key / ECM-Nr. 100205271/UGD/018/B 50000061876	
		Type TB	Number 0906248X832		Rev. B	Page 1/1