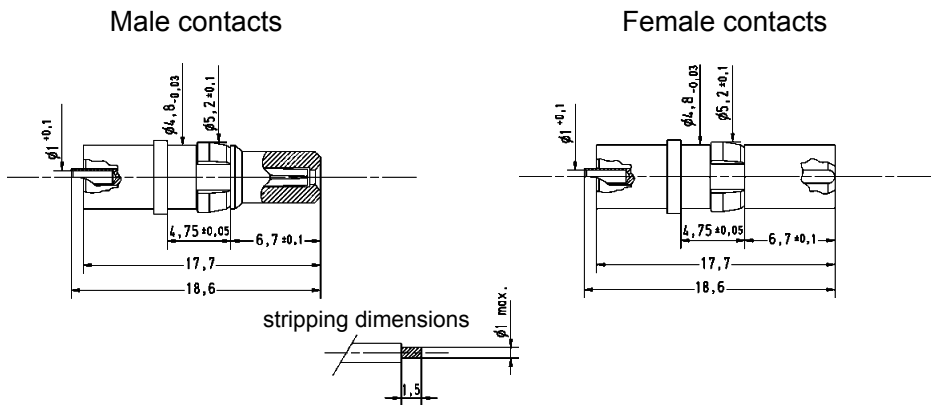


High voltage contacts for cable applications

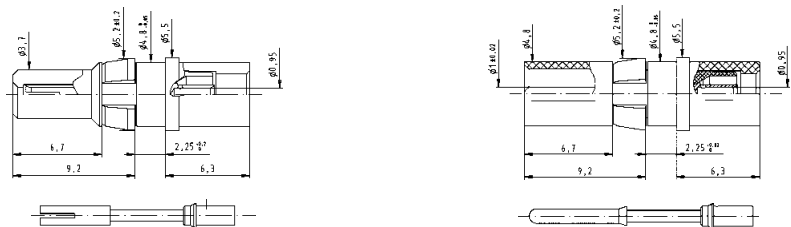
Identification	Wire gauge (mm <sup>2</sup> )	Part number	
		Male contacts Plating: 1.3 µm Au <sup>1)</sup>	Female contacts Plating: 1.3 µm Au <sup>1)</sup>
Straight versions with solder termination	AWG 24 - 20 0.25 - 0.56	09 69 281 2550	09 69 181 2550
	with crimp termination <sup>2)</sup>	AWG 30 - 24 0.05 - 0.25	09 69 282 2550
Right angled versions with solder termination	AWG 24 - 20 0.25 - 0.56	09 69 681 2550	09 69 581 2550

D-Sub

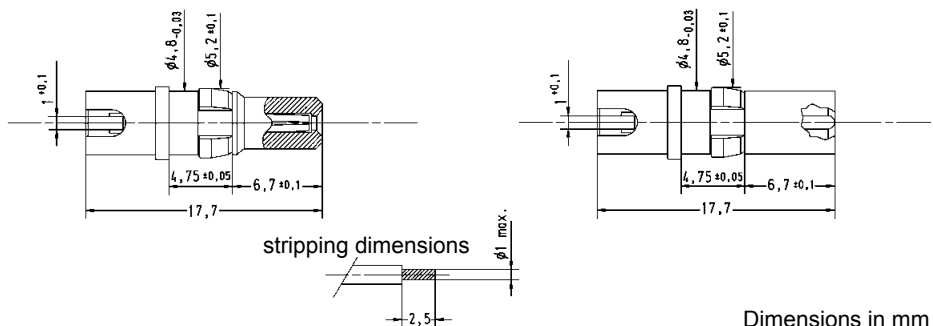
Straight versions  
with solder termination



with crimp termination<sup>2)</sup>



Right angled versions  
with solder termination



Dimensions in mm

<sup>1)</sup> for mating and terminating side  
<sup>2)</sup> Tooling see chapter 20