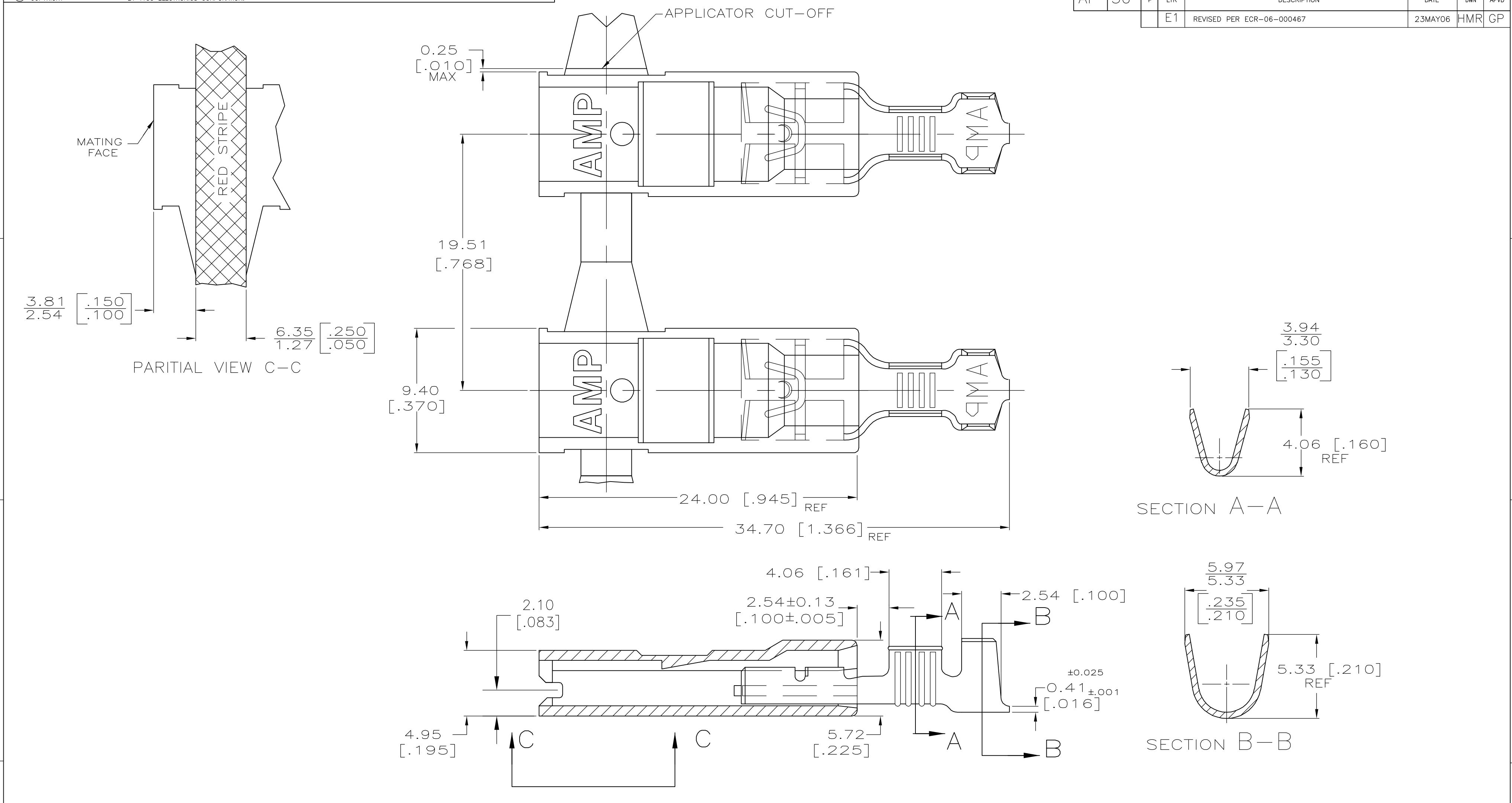


LOC	DIST	REVISIONS					
AF	50	P	LTR	DESCRIPTION	DATE	DWN	APVD
		E1		REVISED PER ECR-06-000467	23MAY06	HMR	GP



1 LOW-INSERTION FASTON TERMINALS, BASE P/N 63306, ARE USED IN THIS PRODUCT.

2 MATERIAL - HOUSING 6/6 NYLON, COLOR NATURAL
TERMINAL - 4M HARD BRASS, NO PLATING

OBSOLETE	BULK	2.79-4.32 [.110-.170]	0.8-2.0 mm ² [18-14]	0.813 [.032]	5-521081-1
	STANDARD				521081-1
	PACKAGING	INSULATION RANGE	WIRE SIZE	MATING TAB THK ±0.025 [±.001]	PART NO.

THIS DRAWING IS A CONTROLLED DOCUMENT.		DWN	JR RUTH	4/10/95	 Tyco Electronics Corporation Harrisburg, PA 17105-3608
DIMENSIONS: mm [INCHES]		CHK	MS FEHER	4/10/95	
TOLERANCES UNLESS OTHERWISE SPECIFIED:		APVD	D BRATINA	4/10/95	
0 PLC ± - 1 PLC ± - 2 PLC ± - 3 PLC ± 0.25 [.010] 4 PLC ± - ANGLES ± - FINISH		PRODUCT SPEC	108-1285	APPLICATION SPEC	
MATERIAL	2	WEIGHT	-	SIZE	A2
CUSTOMER DRAWING		CAGE CODE	00779	DRAWING NO	G-521081
		RESTRICTED TO	-	SCALE	5:1
		SHEET	1 of 1	REV	E1