

Flush-type connector - SACC-CI-M12FS-8CON-L90 SH SCO - 1437009

Please be informed that the data shown in this PDF Document is generated from our Online Catalog. Please find the complete data in the user's documentation. Our General Terms of Use for Downloads are valid (<http://download.phoenixcontact.com>)



Sensor/actuator flush-type connector, socket, 8-pos., A-coded, shielded, with angled solder connection, only contact insert

Key commercial data

Packing unit	0
Minimum order quantity	20
Catalog page	Page 53 (PC-2011)
GTIN	 4 046356 438575
Custom tariff number	85366990
Country of origin	GERMANY

Technical data

General data

Rated current at 40°C	2 A
Rated voltage	30 V
Number of positions	8
Volume resistance	≤ 3 mΩ
Insulation resistance	≥ 100 MΩ
Ambient temperature (operation)	-25 °C ... 85 °C (Male connector / female connector)

General characteristics

Standards/regulations	M12 connector IEC 61076-2-101
Coding	A - standard
Surge voltage category	II
Pollution degree	3
Degree of protection	IP67
Contact material	CuZn
Contact surface material	Au
Contact carrier material	PA 66
Sealing material	FKM / EPDM
Mounting type	PCB mounting

Flush-type connector - SACC-CI-M12FS-8CON-L90 SH SCO - 1437009

Technical data

General characteristics

Connection method	Solder pins
Status display	No

Classifications

eclass

eCl@ss 4.0	27060306
eCl@ss 4.1	27060306
eCl@ss 5.0	27061801
eCl@ss 5.1	27260701
eCl@ss 6.0	27279220
eCl@ss 7.0	27440103

etim

ETIM 3.0	EC002061
ETIM 4.0	EC002061

unspsc

UNSPSC 6.01	31251501
UNSPSC 7.0901	31251501
UNSPSC 11	31251501
UNSPSC 12.01	31251501
UNSPSC 13.2	31251501

Approvals

Approvals

Approvals

UL Recognized

Ex Approvals

Approvals submitted

Approval details

Flush-type connector - SACC-CI-M12FS-8CON-L90 SH SCO - 1437009

Approvals

UL Recognized	
mm ² /AWG/kcmil	26-2
Nominal current I _N	2 A
Nominal voltage U _N	30 V

Accessories

Necessary add-on products

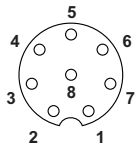
Housing screw connection - SACC-M12-SCO NUT L 90 - 1432460



M12-SPEEDCON housing screw connection for M12 female inserts, with flat gasket, for all Speedcon-compatible THR and wave soldering contact carriers

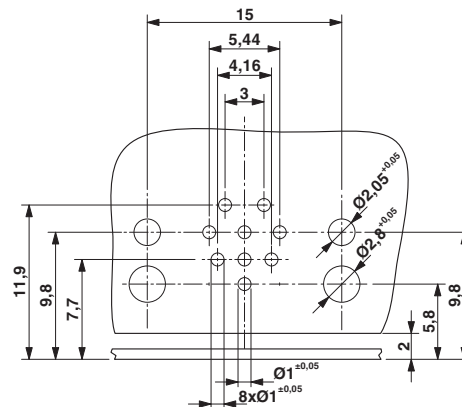
Drawings

Schematic diagram



Pin assignment M12 socket, 8-pos., A-coded, view female side

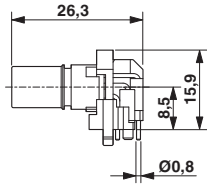
Drilling diagram



Drilling diagram only valid in connection with the SACC-M12-SCO NUT L90 housing (order no. 1432460)

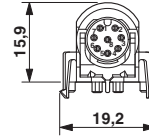
Flush-type connector - SACC-CI-M12FS-8CON-L90 SH SCO - 1437009

Dimensioned drawing



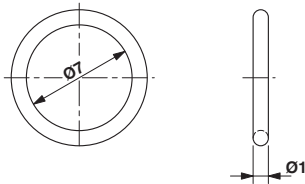
M12 flush-type connector, socket, contact carrier, side view

Dimensioned drawing



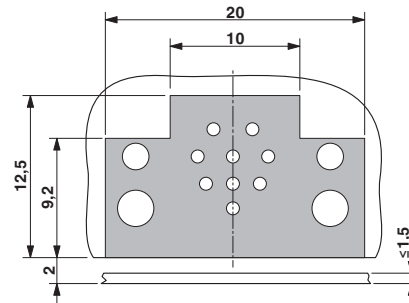
M12 flush-type connector, socket, contact carrier, front view

Dimensioned drawing



Optionally with O-ring (green) for tight seal when plugged in.
- the axial mating force of 80 N per connector may not be exceeded when using with assembled O-ring!
- Avoid radial forces!

Dimensioned drawing



Locked area on the PCB