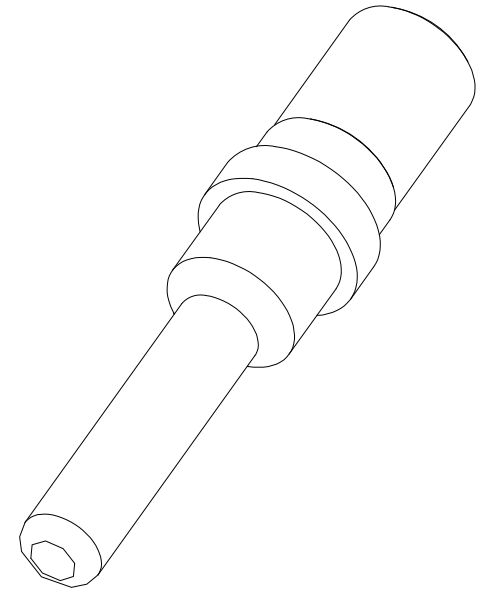
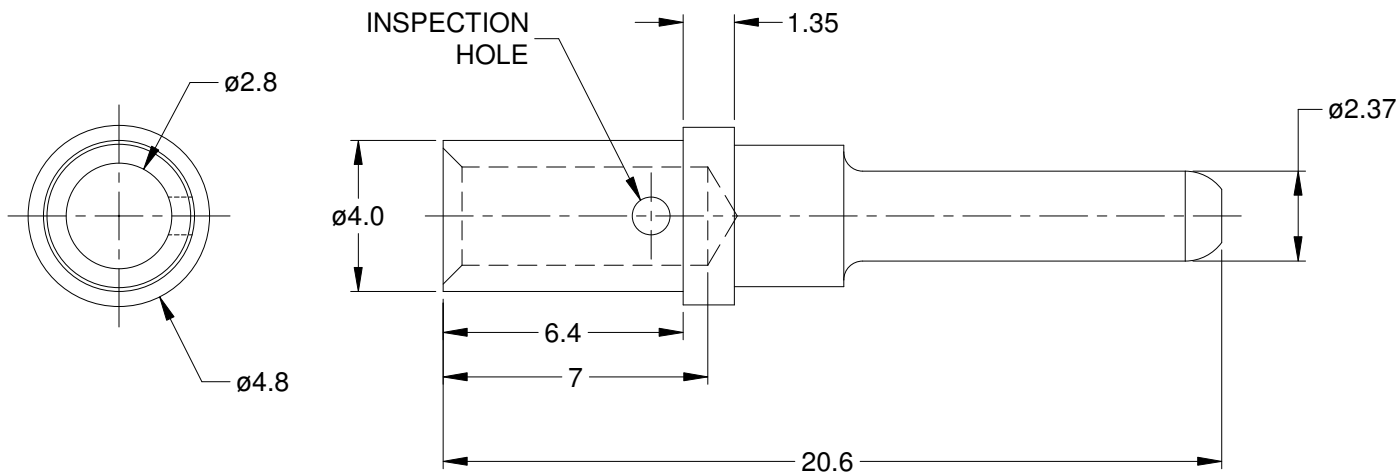


REVISIONS					
REV	ECO	DESCRIPTION	DATE	BY	APPR
A3		RELEASE NEW DRAWING FORMAT	08/OCT/13	DRP	
A4		MATCHED DIMS TO NEW TOOLING	28JAN15	JAH	



NOTES: UNLESS OTHERWISE SPECIFIED

1. MATERIAL: COPPER ALLOY; NICKEL PLATED
2. CONTACT SIZE: 12
3. SPECIFICATIONS:
 - 3.1 CURRENT RATING: 25 AMP
 - 3.2 CONTACT MILLIVOLT DROP: 60 MILLIVOLT DROP @ 25 AMP TEST CURRENT.
 - 3.3 ROHS COMPLIANT
4. RECOMMENDED WIRE RANGE: 12 - 14 AWG
5. AVAILABLE HAND CRIMPER: CA-5D12
6. ALL DIMENSIONS ARE FOR REFERENCE USE ONLY

AT60-204-12141		DESCRIPTION		ITEM
PART NUMBER		DESCRIPTION		ITEM
QUANTITY	MATERIALS LIST			
UNLESS OTHERWISE SPECIFIED		SIGNATURES	DATE	<h1>Amphenol</h1> <p>Sine Systems - www.amphenol-sine.com 44724 Morley Drive Clinton Township, MI 48036</p> <p>CONTACT, PIN, SOLID, SIZE 12, 12-14 AWG, ATP & AHD-6 SERIES</p>
1) All dimensions are in metric(mm).		DRAWN: D.PARKS	08/OCT/13	
2) Tolerances are as follows:		CHECKED:		
1 PL DEC ± 0.30		ENGINEER:		
2 PL DEC ± 0.15		APPROVAL:		
3 PL DEC ± 0.08		CUSTOMER:		
3) Note reference = $\triangle X$		THIS DRAWING IS SUPPLIED FOR INFORMATION ONLY. DESIGN FEATURES, SPECIFICATIONS AND PERFORMANCE DATA SHOWN HEREON ARE THE PROPERTY OF THE AMPHENOL CORPORATION. NO RIGHTS OF REPRODUCTION ARE IMPLIED. ALL DIMENSIONS ARE SUBJECT TO NORMAL MANUFACTURING VARIATIONS.		
MATERIAL SPECIFICATIONS:		SIZE	TYPE	REVISION
PROCESS SPECIFICATIONS:		A	C-	A4
NEXT ASS'Y:		DWG NO:	SCALE:	
		AT60-204-12141	NONE	
		SHEET 1 OF 1		