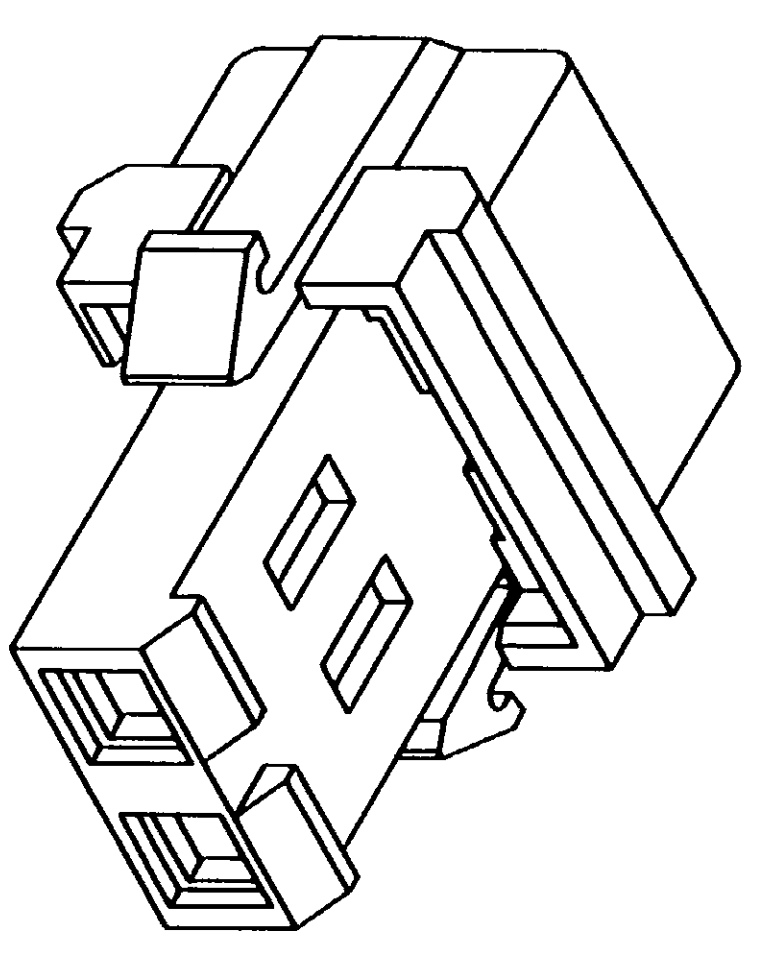
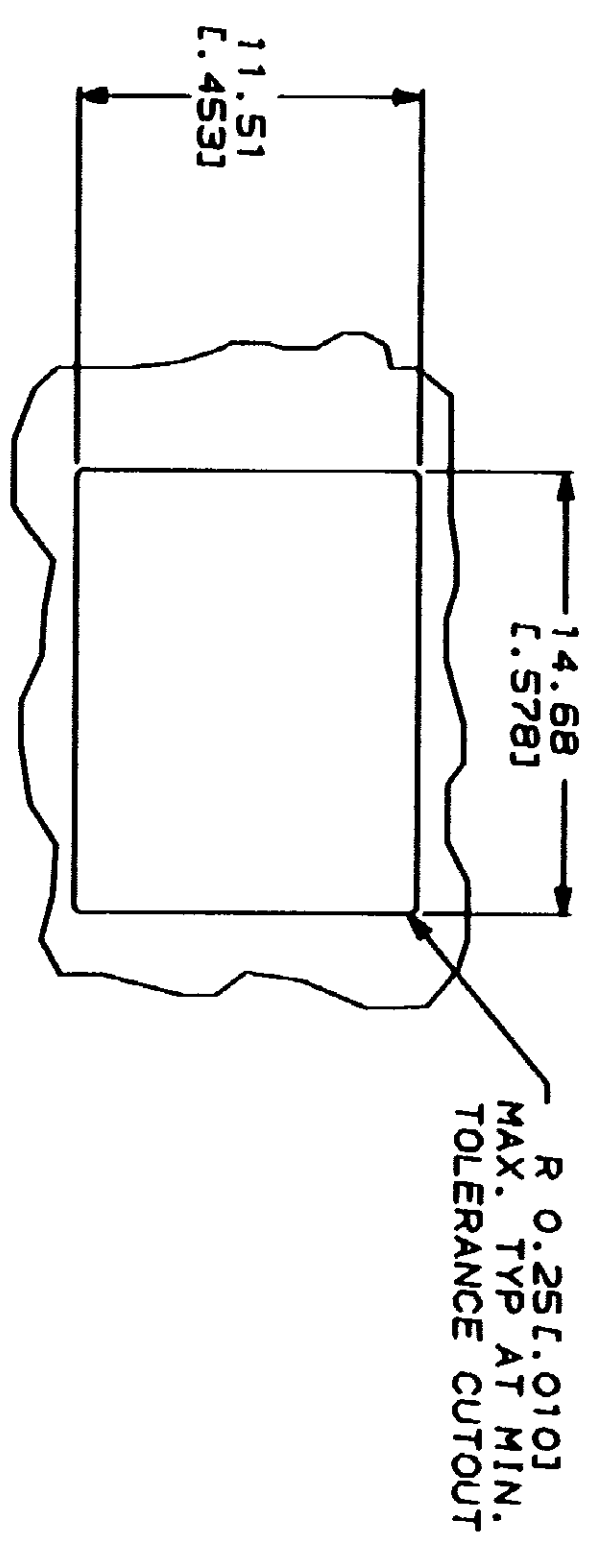


DRAWING MADE IN THIS MANUFACTURE PRODUCTION  
 THIS DRAWING IS UNCLASSIFIED  
 BY AMP INCORPORATED, ALL INTERNATIONAL RIGHTS RESERVED.

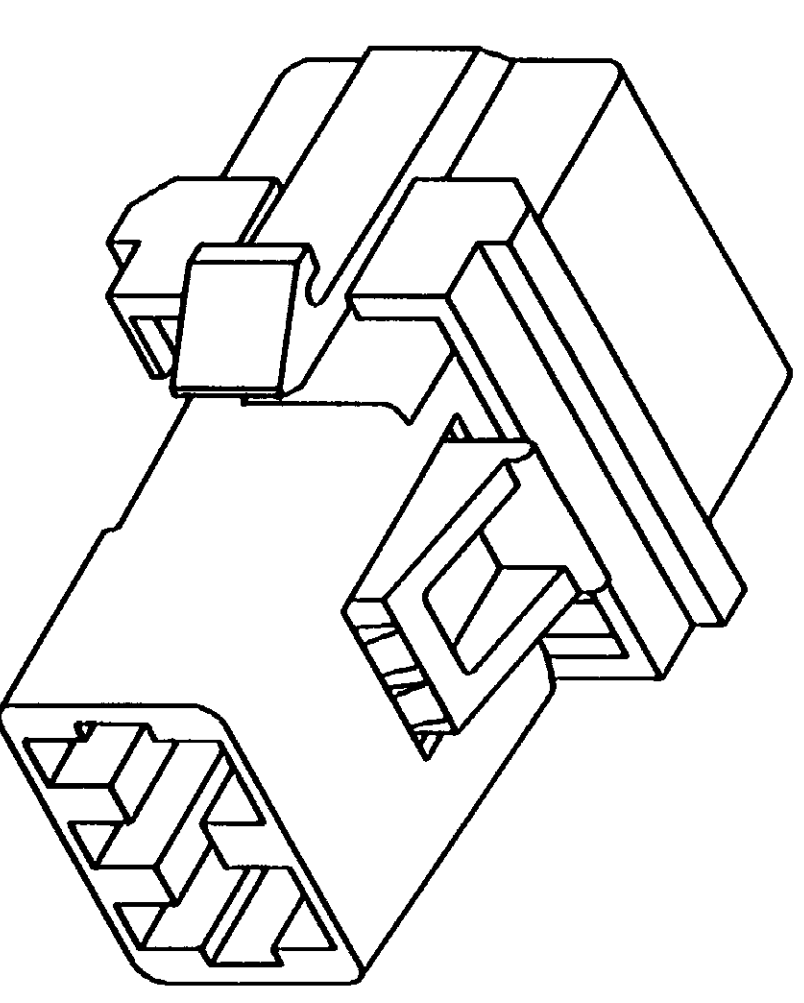
REV	DATE	BY	APP
1	08/01/1978		
2	04/04/80		
3	07/20/80		
4	07/20/80		
5	07/20/80		
6	07/20/80		
7	07/20/80		
8	07/20/80		



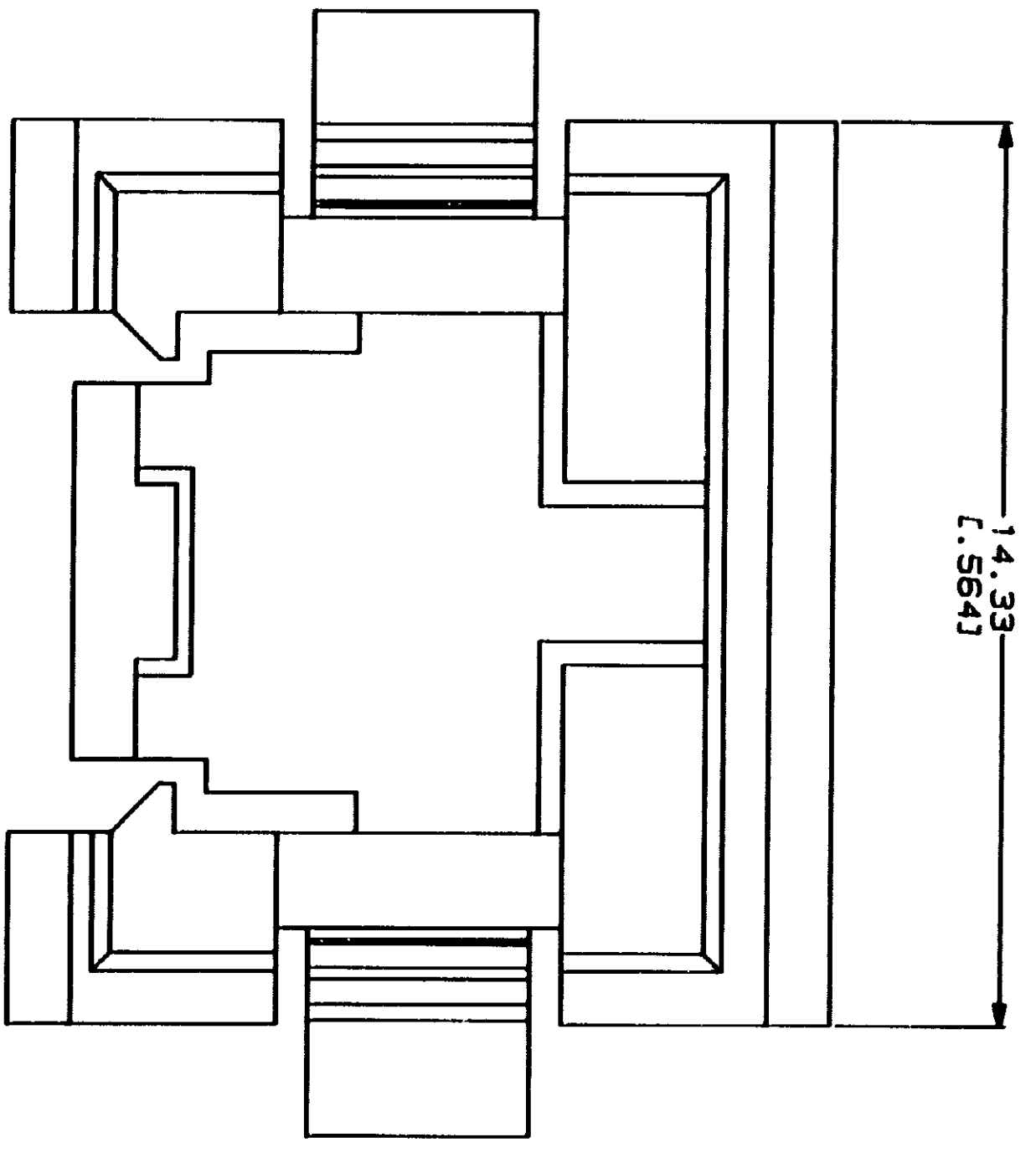
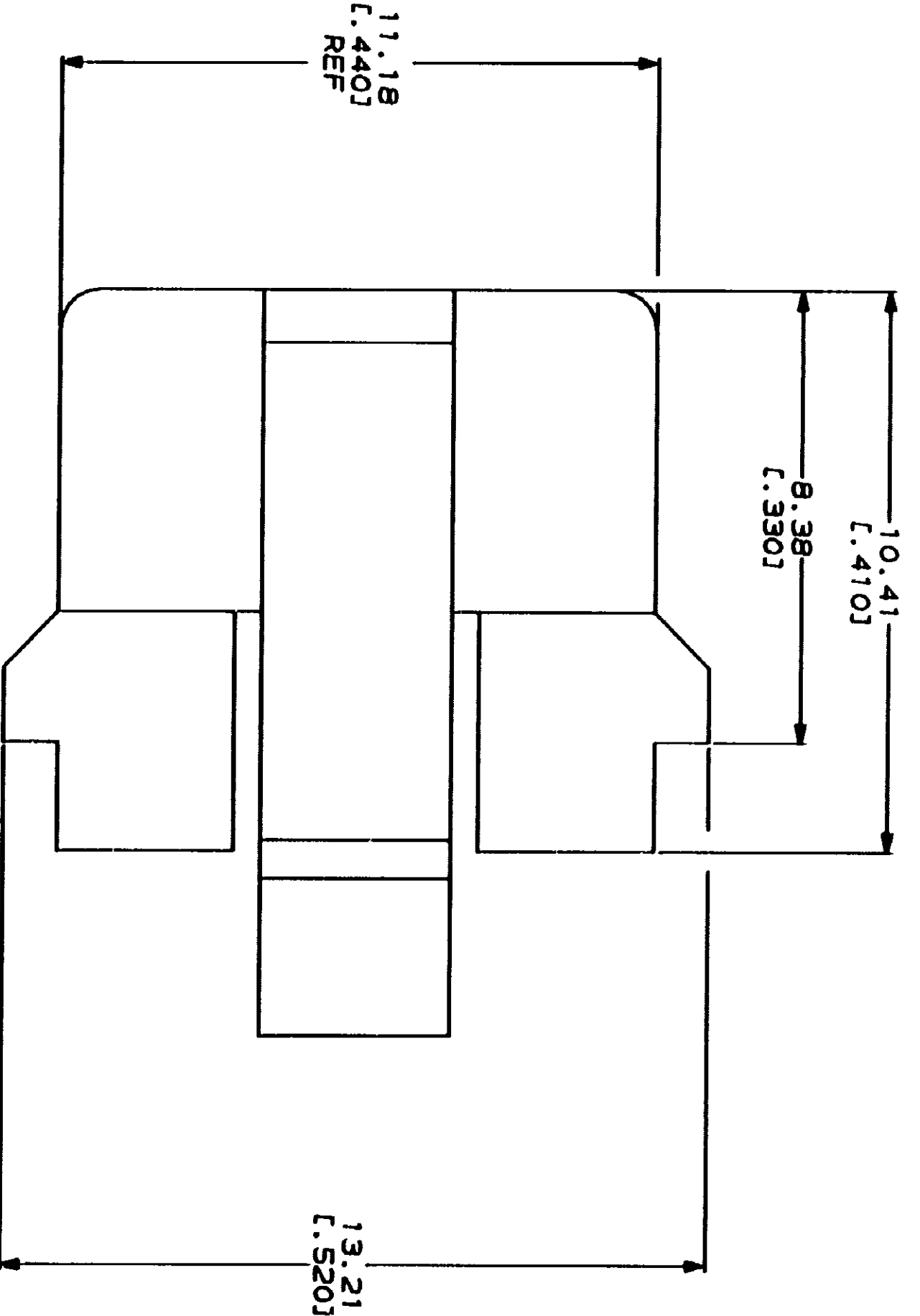
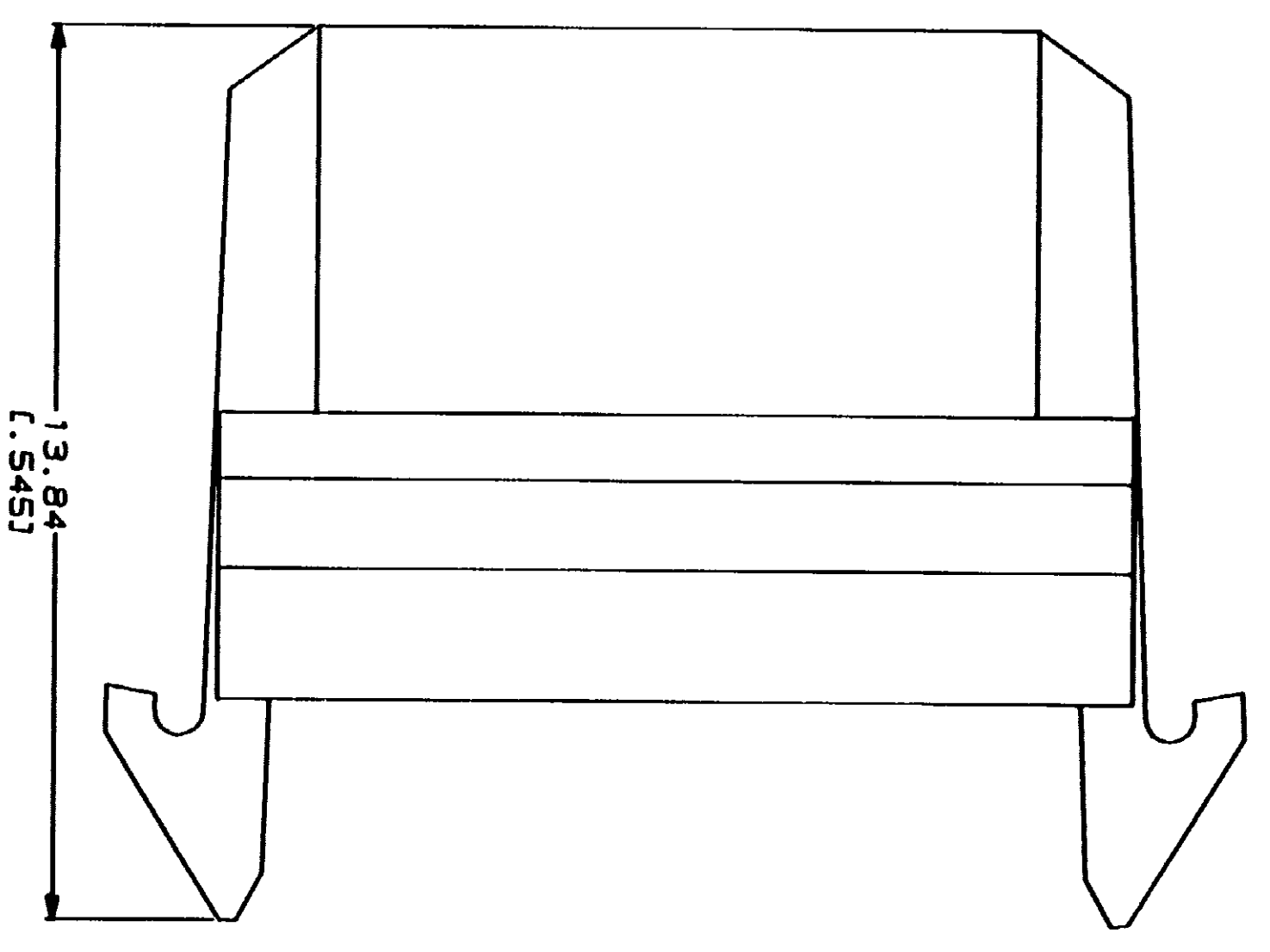
MTA 156 WIRE TO POST CONNECTOR WITH END CAP INSTALLED  
 (RECOMMENDED APPLICATION)



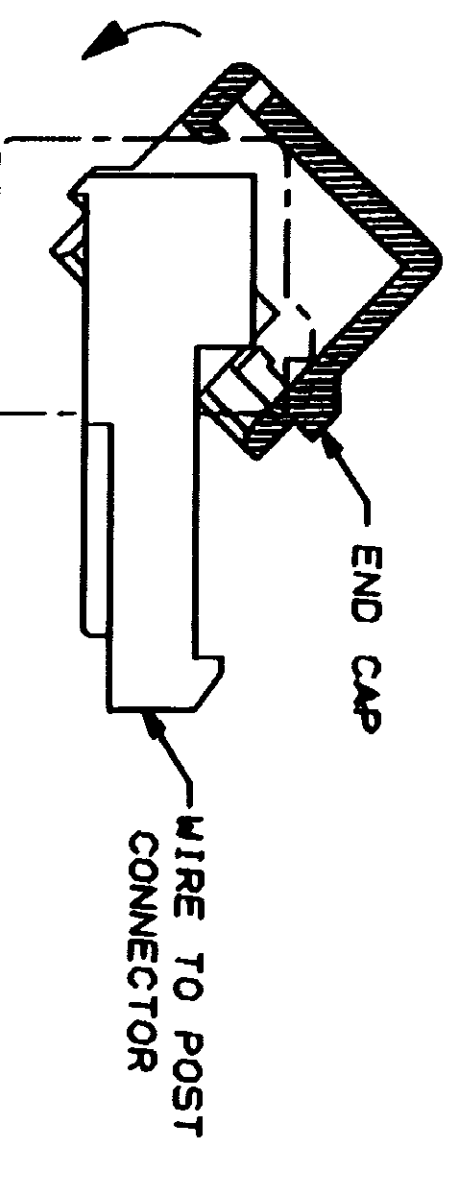
PANEL THICKNESS = 1.57 (.062)  
 RECOMMENDED PANEL CUTOUT



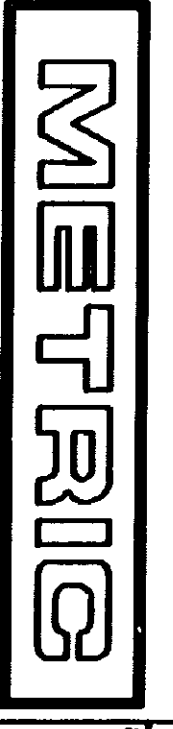
MTA 156 POSTED CONNECTOR WITH END CAP INSTALLED  
 (ALTERNATE APPLICATION)



1. DIMENSIONS IN BRACKETS ARE IN INCHES.



END CAP INSTALLATION METHOD



DO NOT SCALE PRINT. DIMENSIONS SPECIFIED IN MILLIMETERS (INCHES) TOLERANCES IN MILLIMETERS (INCHES) 2 P.C DEC 2 (0.125 DEC) 3 P.C DEC 2 (0.125 DEC) MATERIAL NYLON, 94V-2 RATED, BLACK		DR 8-12-83 OR 8-12-83 CHK 8-12-83 R. SH/MS	VALUE END CAP, PANEL MOUNTING, 2 POSITION, POSTED CONNECTOR, MTA-156
FINISH	APPLICATION SPEC	SCALE	SIZE
		D	00779
WEIGHT		SCALE	10:1
			641533
			641533-1
			PART NO
			AMP Incorporated Horseshoe, PA 17105-3608

CUSTOMER DRAWING

APP 1283 15.01.0 15.01.0

A/C BUSINESS GROUP 2323 177-34 LARRY H. SMITH