

DO NOT SCALE DRAWING
DIMENSION IN METRIC

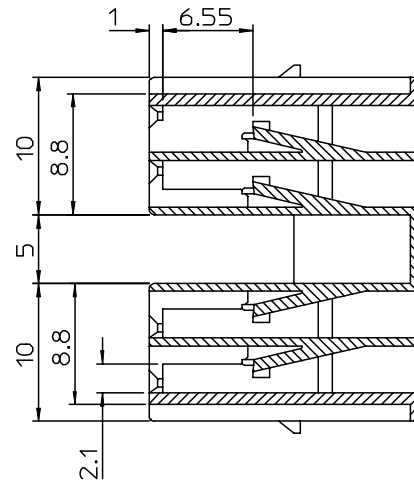
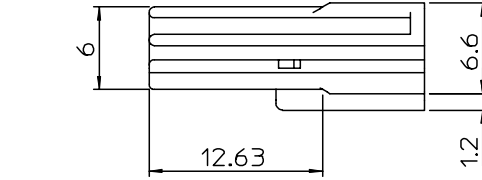
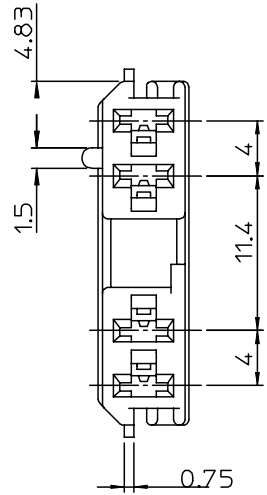
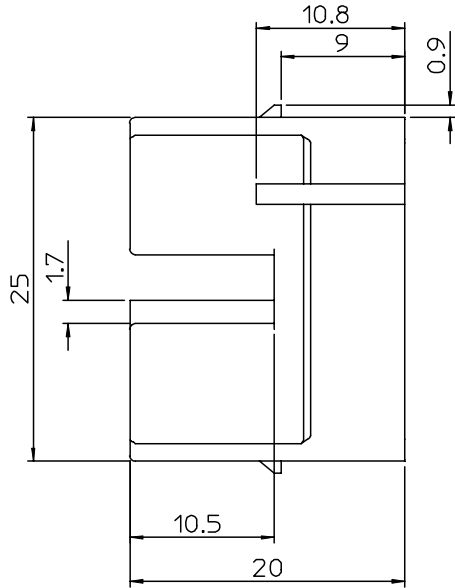
B

C

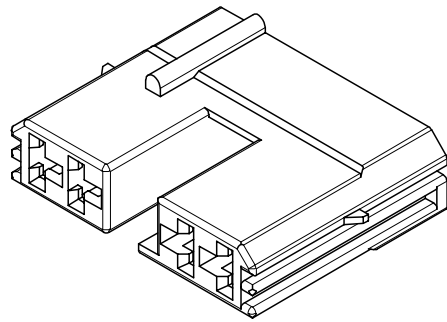
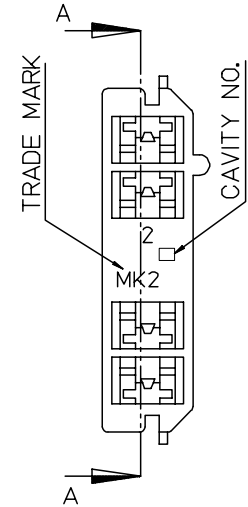
PROJECT NO.

SIMILAR ITEM

DWG. NO.
SD-68428-001



SECTION A-A



NOTES

1. MATERIAL : POLYESTER(PBT),UL94V-0

COLOR : WHITE(NATURAL)

2.PRODUCT SPECIFICATION : PS-68428-001

| | | | | | | | | | | | |
|---------|--|---|--|---|---------|--|--|--|--|-------------------------|-------|
| REVISED | ECN NO. KOR2006-0152 DRWN: J.B.JIN 06/07/10 CHK: W.Y.YANG APPR: S.HCHOI | DESCRIPTION | QUALITY SYMBOLS MAJOR $\blacktriangledown = 0$ CRITICAL $\blacktriangledown C = 0$ | GENERAL TOLERANCES: (UNLESS SPECIFIED) | | SCALE 1:1 | DESIGN UNITS <input checked="" type="checkbox"/> mm <input type="checkbox"/> INCH | <input checked="" type="checkbox"/> THIRD ANGLE <input type="checkbox"/> FIRST ANGLE PROJECTION | DIMENSIONS: <input type="checkbox"/> mm <input type="checkbox"/> INCH <input checked="" type="checkbox"/> mm ONLY | SHT | REV |
| | | | | 4 PLACES $\pm 0.$ | $\pm -$ | DRAWN BY & DATE W.Y.YANG 03/02/10 | TITLE: .110 HOUSING-4P (4mm PITCH) (FOR DOOR SWITCH) | | | REVISION ON CAD ONLY | |
| B1 | REV | DRAFT WHERE APPLICABLE MUST REMAIN WITHIN DIMENSIONS | | 3 PLACES $\pm 0.$ | $\pm -$ | CHECKED BY & DATE W.Y.YANG 03/02/10 | | MOLEX INCORPORATED | | | |
| | | | | 2 PLACES ± 0.25 | $\pm -$ | APPROVED BY & DATE C.W.LEE 03/02/10 | | SHEET NO. 1 OF 1 | | | |
| | | | | 1 PLACE ± 0.25 | $\pm -$ | CAD FILENAME S68428BBJ.MI | MATERIAL NO. 684280400 | DRAWING NO. SD-68428-001 | KOREA | | MX-A3 |

A

B

C

D

E

F

8 7 6 5 4 3 2 1

8 7 6 5 4 3 2 1 KOREA MX-A3