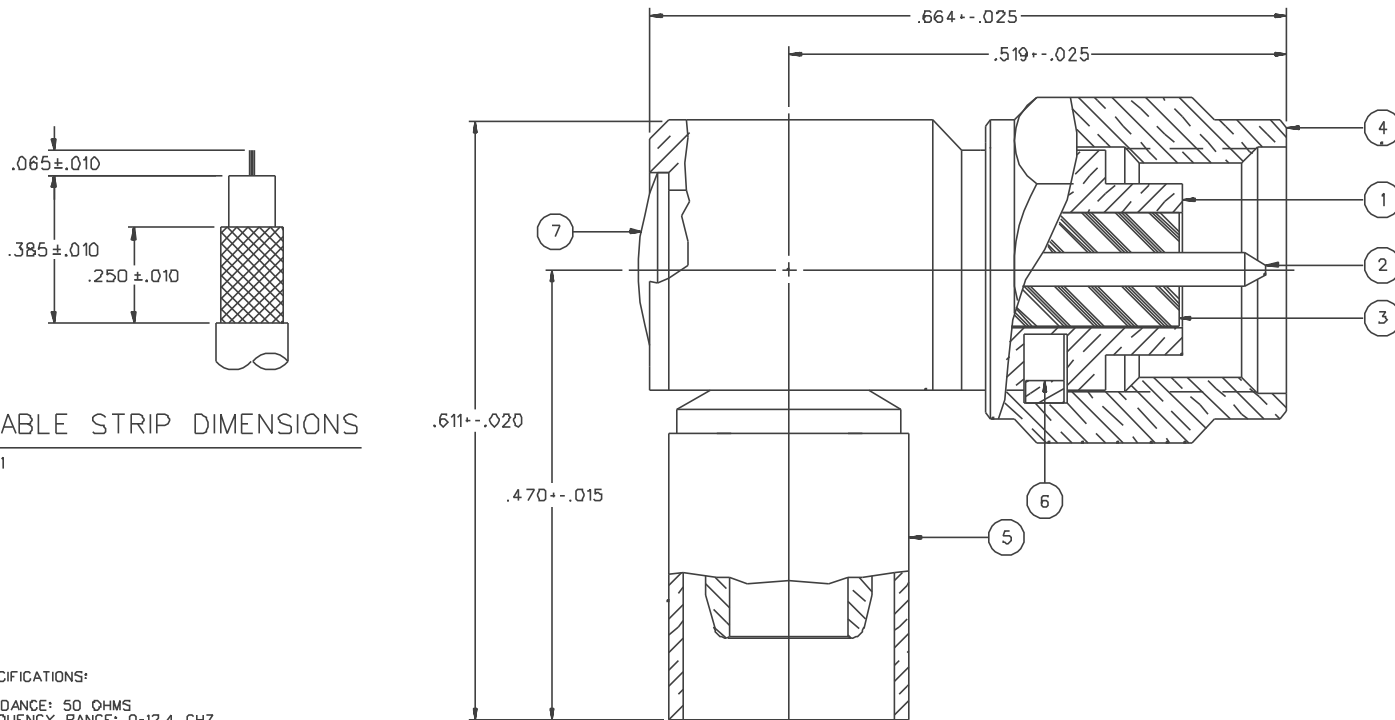


PART NUMBER	ITEM ① BODY	ITEM ② CONTACT	ITEM ③ INSULATOR	ITEM ④ HEX NUT	ITEM ⑤ CRIMP SLEEVE	ITEM ⑥ RETENTION SPRING	ITEM ⑦ END CAP
142-D407-101	BRASS GOLD PL .00001 MIN OVER NICKEL PL .00005 MIN OVER COPPER PL .00005 MIN	BRASS GOLD PL .00003 MIN OVER NICKEL PL .00005 MIN OVER COPPER PL .00005 MIN	TEFLON	BRASS GOLD PL .00001 MIN OVER NICKEL PL .00005 MIN OVER COPPER PL .00005 MIN	COPPER GOLD PL .00001 MIN OVER NICKEL PL .00005 MIN OVER COPPER PL .00005 MIN	BERYLLIUM COPPER UNPLATED	BRASS GOLD PL .00001 MIN OVER NICKEL PL .00005 MIN OVER COPPER PL .00005 MIN
142-D407-104	COPPER SILVER PL .00005 MIN OVER COPPER PL .000075 MIN	COPPER SILVER PL .00005 MIN OVER COPPER PL .000075 MIN	TEFLON	COPPER SILVER PL .00005 MIN OVER COPPER PL .000075 MIN	COPPER SILVER PL .00005 MIN OVER COPPER PL .000075 MIN	BERYLLIUM COPPER UNPLATED	BRASS SILVER PL .00005 MIN OVER COPPER PL .000075 MIN
142-D407-106	BRASS NICKEL PL .0001 MIN OVER COPPER PL .00005 MIN	BRASS GOLD PL .00003 MIN OVER NICKEL PL .00005 MIN OVER COPPER PL .00005 MIN	TEFLON	BRASS NICKEL PL .0001 MIN OVER COPPER PL .00005 MIN	COPPER NICKEL PL .0001 MIN OVER COPPER PL .00005 MIN	BERYLLIUM COPPER UNPLATED	BRASS NICKEL PL .0001 MIN OVER COPPER PL .00005 MIN



CABLE STRIP DIMENSIONS

4:1

NOTES:

- SPECIFICATIONS:**
 - IMPEDANCE: 50 OHMS
 - FREQUENCY RANGE: 0-12.4 GHZ
 - VSWR: 1.15-.02F MAX (F IN GHZ)
 - WORKING VOLTAGE: 335 VRMS MAX AT SEA LEVEL
 - DIELECTRIC WITHSTANDING VOLTAGE: 1000 VRMS MIN AT SEA LEVEL
 - INSULATION RESISTANCE: 5000 MEGOHM MIN
 - CONTACT RESISTANCE:
 - CENTER CONTACT - INITIAL 4.0 MILLIOHM MAX, AFTER ENVIRONMENTAL 6.0 MILLIOHM MAX
 - OUTER CONDUCTOR - INITIAL 2.0 MILLIOHM MAX AFTER ENVIRONMENTAL NOT APPLICABLE
 - BODY TO CABLE - 0.5 MILLIOHM MAX (GOLD PLATED), 5.0 MILLIOHMS MAX (NICKEL PLATED)
 - CORONA LEVEL: 250 VOLTS MIN AT 70,000 FEET
 - INSERTION LOSS: .15 V/F (F IN GHZ) AT 6 GHZ
 - RF LEAKAGE: -60 DB MIN AT 2.5 GHZ
 - RF HIGH POTENTIAL WITHSTANDING VOLTAGE: 670 VRMS MIN AT 4 AND 7 MHZ
- MECHANICAL:**
 - ENGAGE/DISENGAGE TORQUE: 2 INCH-POUNDS MAX
 - MATING TORQUE: 7-10 INCH POUNDS
 - COUPLING PROOF TORQUE: 15 INCH-POUNDS MIN
 - COUPLING NUT RETENTION: 6D LBS MIN
 - CONTACT RETENTION: 6 LBS MIN
 - CABLE ACCEPTABILITY: RG 58, RG 141, RG 303
 - CABLE HEX CRIMP SIZE: .213
 - CABLE RETENTION: 40 LBS MIN AXIAL FORCE
 - DURABILITY: 500 CYCLES MIN
- ENVIRONMENTAL:**
 - (MEETS OR EXCEEDS THE APPLICABLE PARAGRAPH OF MIL-C-39012)
 - THERMAL SHOCK: MIL-STD-202, METHOD 107, CONDITION B, EXCEPT -B5 DEG C HIGH TEMP
 - OPERATING TEMPERATURE: -65 DEG C TO 165 DEG C
 - CORROSION: MIL-STD-202, METHOD 101, CONDITION B
 - SHOCK: MIL-STD-202, METHOD 213, CONDITION I
 - VIBRATION: ML-STD-202, METHOD 204, CONDITION D
 - MOISTURE RESISTANCE: MIL-STD-202, METHOD 106

DRAWING NO. C - 142-0407-101/110	
0 REVISIONS	
ENGINEERING RELEASE	
01 03-08-89	E J R B D4-10-89 ECO 23621
CHANGED: .664 ± .025 WAS .675 ± .010, .519 ± .025 WAS .520 ± .010, .611 ± .020 WAS .626 ± .010, .470 ± .015 WAS .470 ± .010, REVISED SPECS.	
02 11-11-90	R H B H 11-20-90 ECO 24983
ADDED: P/N 142-0407-101	
3 1-5-92	R H B H 1-9-92 ECO 40802
CHANGED: DRAWING WAS "D" SIZE, RF LEAK 2.5 GHZ WAS 2 TO 3 GHZ, RF HIGH POT 4 AND 7 MHZ WAS 5 TO 7.5 MHZ	
4 4-9-92	R H B H 4-20-92 ECO 40915
CHANGED: CABLE STRIP DIMENSION .065 ± .010 WAS .062 ± .010, .385 ± .010 WAS .335 ± .010 AND .250 ± .010 WAS .200 ± .010, UPDATED GRAPHICS	
5 12-3-93	R H B H 12-22-93 ECO 42113
CHANGED: 142-0407-104 COPPER BODY CONTACT AND NUT WERE BRASS	
* REVISION NUMBER FOLLOWED BY AN ALPHA *	
* CHARACTER INDICATES DRAWING CLARIF. *	
* CATION OR PART NUMBER ADDITION ONLY. *	
5a 2-16-00	R H B H ECO 46426

CUSTOMER DRAWING

THIS DRAWING TO BE INTERPRETED PER ANSY 14.5M - 1982

"μSTATION"

COMPANY CONFIDENTIAL

TOLERANCE UNLESS OTHERWISE SPECIFIED	DRAWN BY EJ	DATE 8-12-87	 <small>Chinch Connectivity Solutions 299 Johnson Ave. Ste. 100 Waukegan, IL 60093 1-800-247-8256</small>	
DECIMALS .XX	CHECKED BY	DATE	TITLE PLUG ASSEMBLY, RA CABLED SMA, RG 58	
.XXX	APPROVED BY TAK	DATE 3-10-89	CODE NO.	DRAWING NO. C - 142-0407-101/110
MATL	APPROVED BY RJB	DATE 3-13-89	SCALE 10:1 U/M INCH SHEET 2 OF 2	
FINISH	RELEASE DATE	4-10-89		