

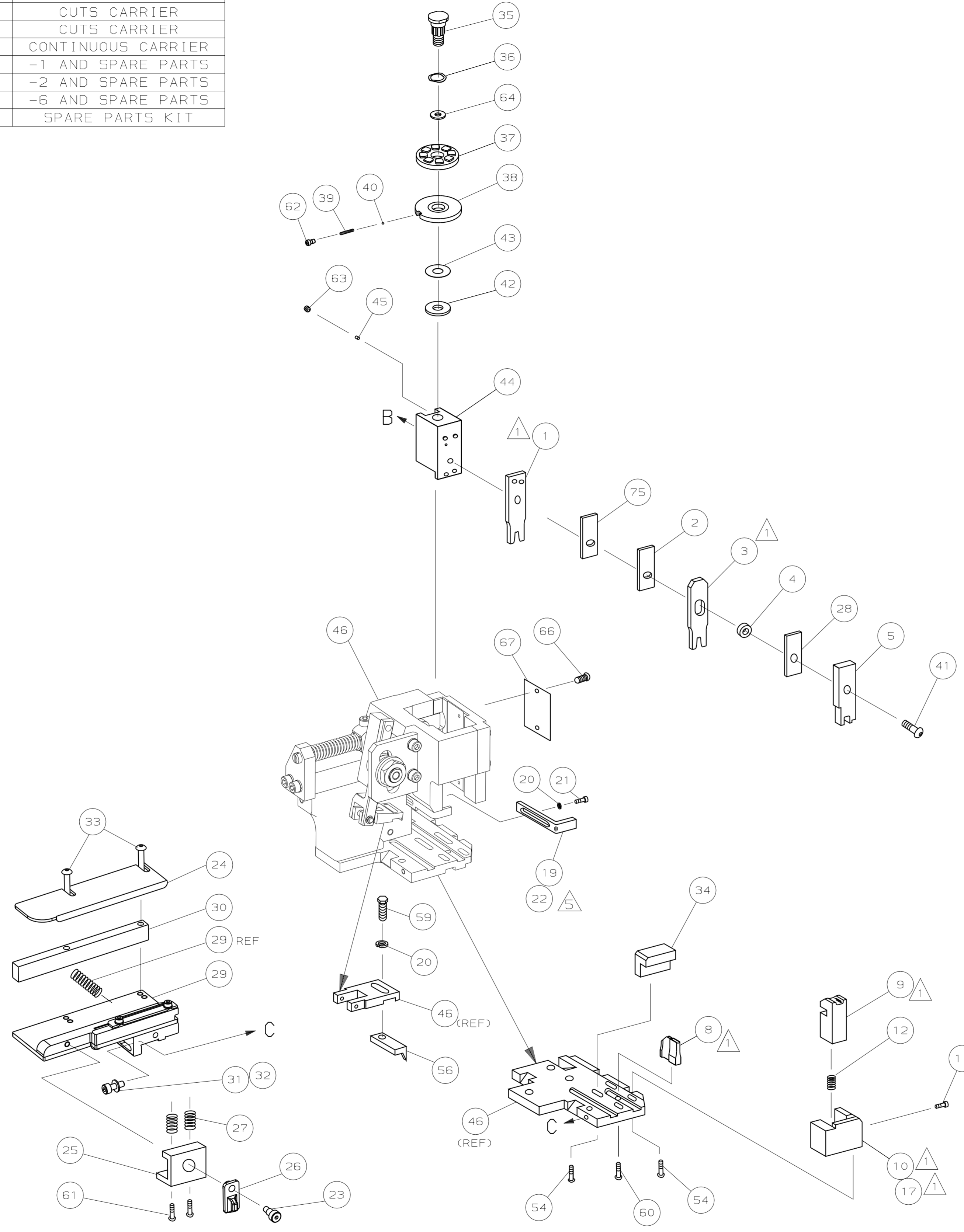
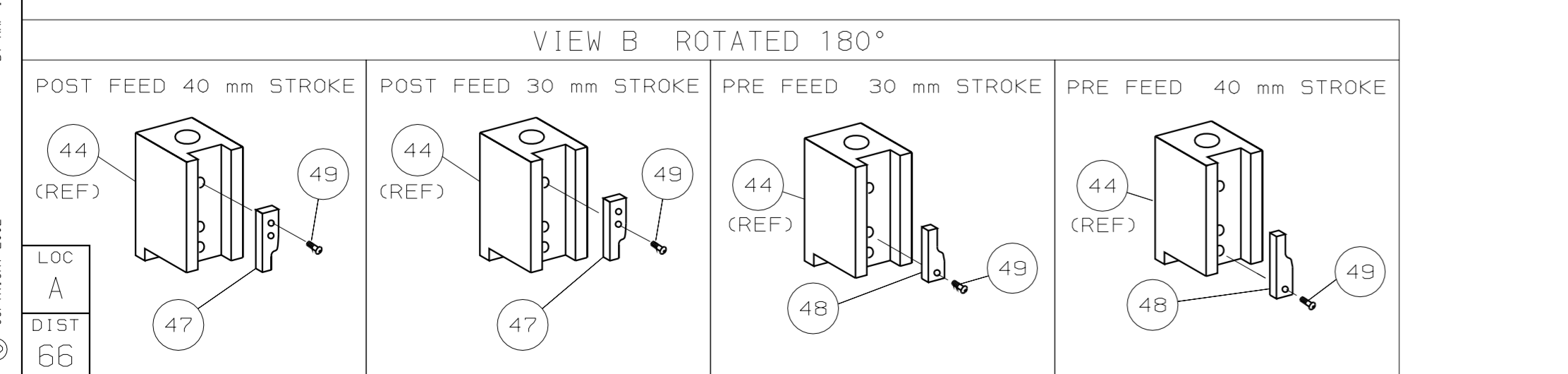
Table with 6 columns: PART NUMBER, REV, FIRST USED, TERMINATOR, FEED TYPE, DESCRIPTION. Lists various components and their quantities.

CRIMP DATA JST TERMINAL JST CRIMP SPECS. Terminal name: BOARD-IN CRIMP TERMINAL. Includes wire size, insulation, and crimp height specifications.

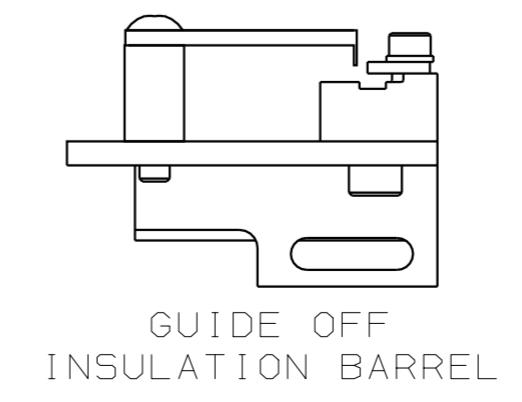
TERMINALS APPLIED. Table with 5 columns: AMP TERM PN, MFR TERM PN, and others. Lists specific terminal models.

Table with 3 columns: WIRE SIZE (mm² AWG), CRIMP HEIGHT, and PIN PN AND LENGTH (IN). Provides crimping parameters for 16 AWG and 18 AWG wires.

- RECOMMENDED SPARE PARTS. 2. GREASE RAM, CAM, CAM FOLLOWER AND FEED ROD LIGHTLY. 3. LUBRICATE DAILY PER THE APPLICATOR INSTRUCTION SHEET SUPPLIED WITH THE APPLICATOR. 4. CRIMP HEIGHTS FOR JST TERMINAL SUPPLIED BY CUSTOMER...



Large parts list table with columns for quantity, part number, description, and item number. Lists over 70 different components and their assembly counts.



REVISION RECORD table with columns for revision number, description, date, and initials. Shows a single revision for 'REMOVE BURRS, BREAK SHARP EDGES RO.38 MAX'.

Dimensions, tolerances, and drawing information table. Includes fields for dimensions, tolerances, and drawing number (1426432).

THIS DRAWING IS A CONTROLLED DOCUMENT.

LAYOUT L1426432 SET UP GAGE 458637-3

2002 RELEASED FOR PUBLICATION BY AMP INCORPORATED. ALL RIGHTS RESERVED.

1426432

1426432

1426432