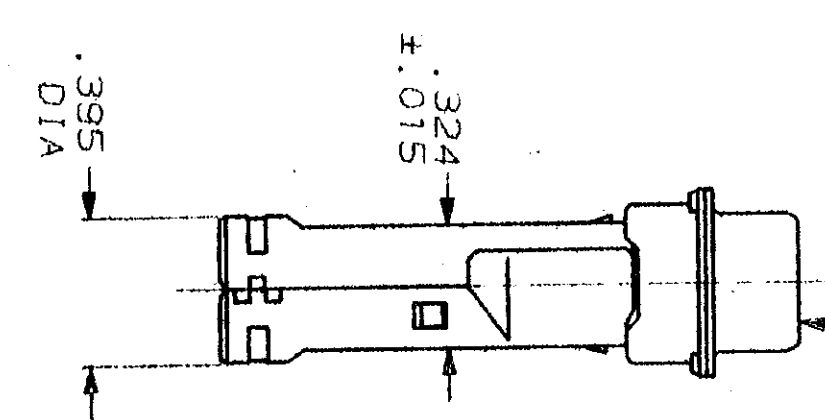
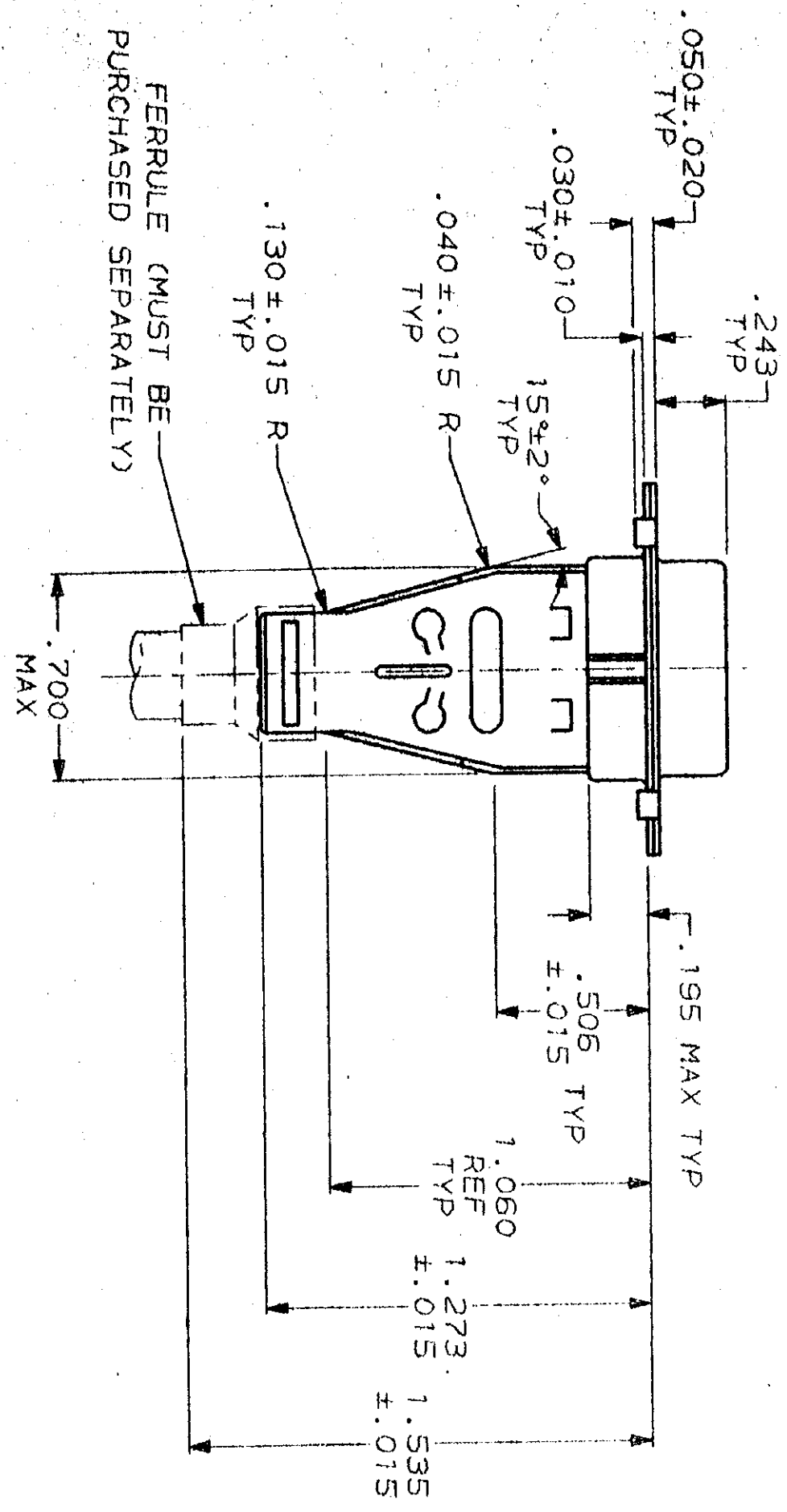
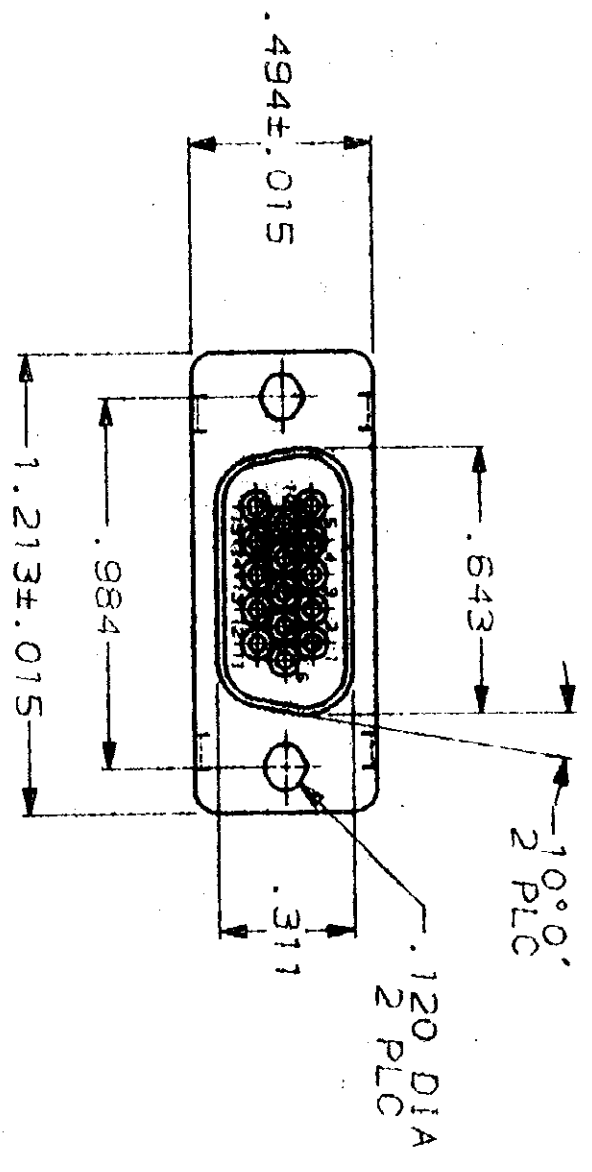


REV	DATE	APPD
2	BD 39	
ZONE	LTR	REVISIONS
A		REDRAWN AND REV PER ECN B05049
		DATE 7-3-91



RECEPTACLE CONNECTOR

FERRULE (MUST BE PURCHASED SEPARATELY)

- RECEPTACLE ACCEPTS SIZE 22 SOCKET CONTACTS (CONTACTS ORDERED SEPARATELY)
- ALL PARTS SHIPPED UNASSEMBLED, EACH PART INDIVIDUALLY BULK PACKED.
- FLAME RETARDANT 94V-0 RATED, GLASS FILLED NYLON, BLACK.

DO NOT SCALE PRINT. UNLESS SPECIFIED DIMENSIONS IN INCHES TOLERANCES ON 1.		DR 7-3-91	NAME
2 PLC DEC ± .005		R. SHIREY	
3 PLC DEC ± .005		8-2-91	
ANGLES ± 0°30'			
MATERIAL HOUSING: Δ SHELLS & SHIELDS: PER ASTM A109		APPD	8-1-91
FINISH SHELLS & SHIELDS: TIN PLATED PER MIL-T-10727		PRODUCT SPEC	
APPLICATION SPEC	SIZE C	FSCH NO 00779	DRAWING NO 748634
WEIGHT	SCALE 2:1		

748634-1
 PART NUMBER

AMP INCORPORATED
 AMP
 KIT, RCPT, SHIELDING HARDWARE,
 SIZE 1, 15 POSN, HDP-22,
 AMPLIMITE™

CUSTOMER DRAWING