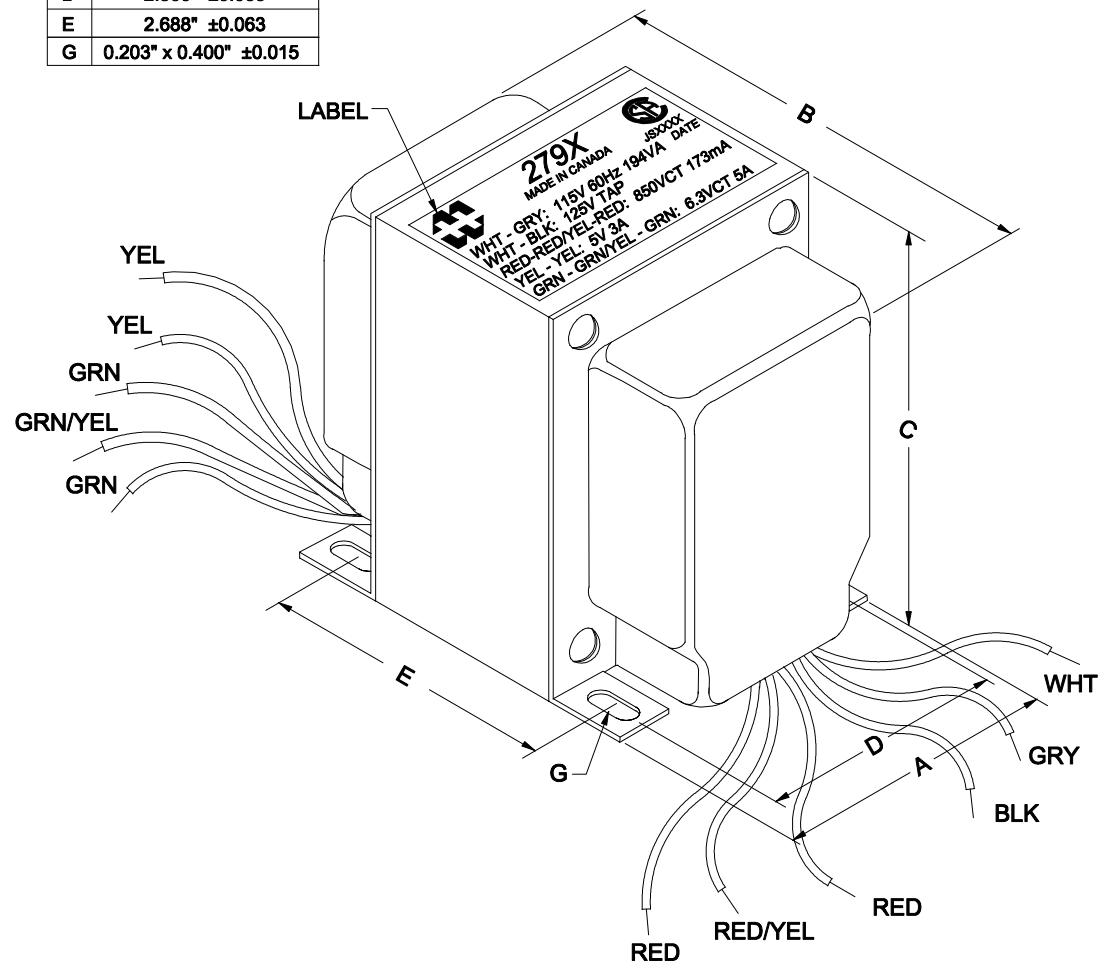
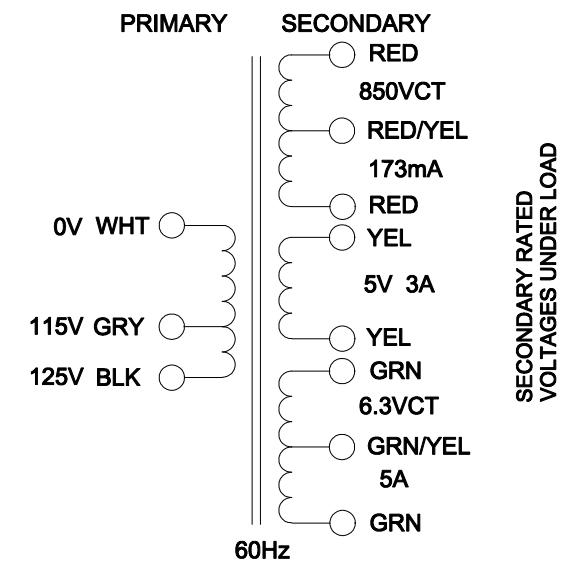


| DIMENSIONS: | |
|-------------|------------------------|
| A | 3.125" ±0.063 |
| B | 3.936" ±0.125 |
| C | 3.800" ±0.063 |
| D | 2.500" ±0.063 |
| E | 2.688" ±0.063 |
| G | 0.203" x 0.400" ±0.015 |



NOTE: ALL LEADS 6" OUT MIN. STRIPPED 0.5"



| ELECTRICAL DATA: | | |
|------------------|---------------------------------|---------------------|
| TESTS | CONDITIONS | ACCEPTANCE CRITERIA |
| Iex | @ 125V, 60Hz, WHT - BLK | 355.2mA Max. |
| Sec. N.L.V | @ 125V, 60Hz, WHT - BLK | |
| | RED - RED = | 909.2V ±2% |
| | RED - RED/YEL = RED/YEL - RED = | 454.6V ±2% |
| | YEL - YEL = | 5.371V ±2% |
| | GRN - GRN/YEL = GRN/YEL - GRN = | 3.418V ±2% |
| | GRN - GRN = | 6.836V ±2% |
| DCR | @ 20°C, WHT - BLK = | 1.350 Ω ±20% |
| | @ 20°C, RED - RED = | 95.41 Ω ±20% |
| | @ 20°C, YEL - YEL = | 0.041 Ω ±20% |
| | @ 20°C, GRN - GRN = | 0.043 Ω ±20% |
| HIPOT | PRIMARY - SECONDARY | 3000V, 60Hz, 1 SEC |

| REV.# | REVISION | DATE | HAMMOND ELECTRONIC DIVISION | | PH # (519) 886-6181 FAX # (519) 886-9540 |
|-------|-----------|---------------|--|-------------------------|---|
| 0 | RELEASED. | C.I. 11/28/12 | 52 RANKIN PLACE, WATERLOO, ONTARIO, N2J 3Z5 | | |
| | | | DWG. BY: C. ILIE | CHK'D BY: | TITLE: POWER TRANSFORMER |
| | | | DATE: 11/28/12 | APP'D. BY: | DWG. NO. 279X |
| | | | | DIMENSIONS: IN(X) MM() | |