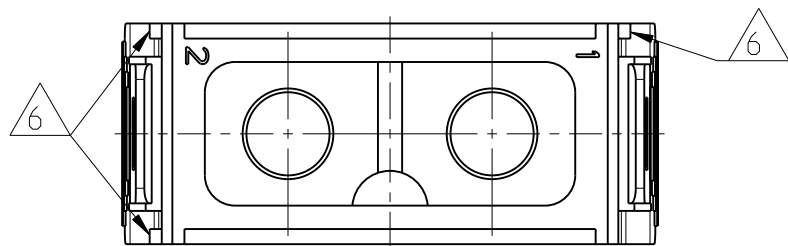


THIS DRAWING IS UNPUBLISHED. RELEASED FOR PUBLICATION 2000

© COPYRIGHT 2000 BY TYCO ELECTRONICS CORPORATION. ALL RIGHTS RESERVED.

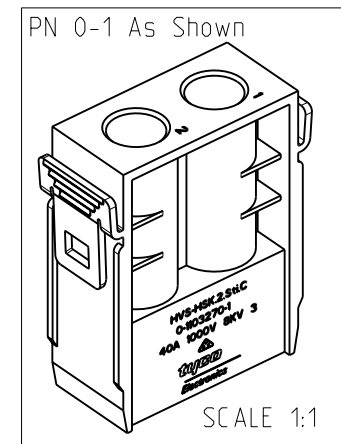
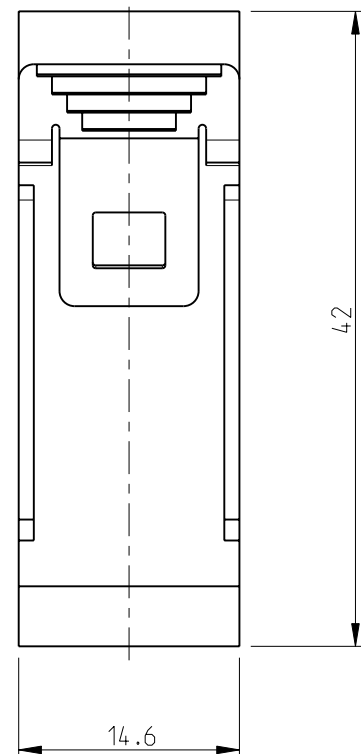
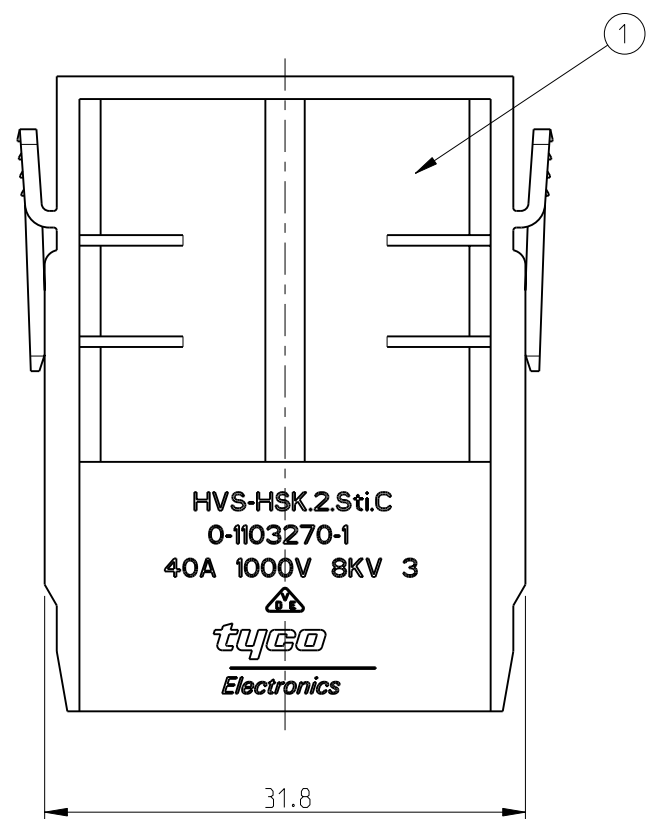
| LOC | DIST | REVISIONS | | | | | |
|-----|------|-----------|-----|---------------|-----------|-----|------|
| | | P | LTR | DESCRIPTION | DATE | DWN | APVD |
| A1 | | C1 | | ECR-10-023156 | 11NOV2010 | SR | OH |

PN 0-1 As Shown Contact arrangement view from connecting side

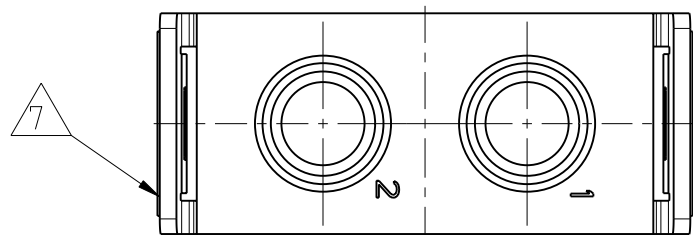


NOTES

- 1 SUITABLE CRIMP CONTACTS: SERIES HSK
CUSTOMER DRAWING: 1108757
OUTER DIMENSIONS OF INSULATION: MAX. Ø8mm
- 2 SUITABLE MODULE FIXING FRAME: SERIES HVS SIZE 3 TO 8
CUSTOMER DRAWING: 1103250
- 3 SUITABLE INSERTION TOOL:
CUSTOMER DRAWING: 1102855
- 4 SUITABLE EXTRACTION TOOL:
CUSTOMER DRAWING: 1102855
- 5 STANDARDS:
DIN EN 61984; DIN EN 60664-1
- 6 POLARIZATION RIPS
- 7 MARKING OF POLARIZATION ACCORDING TO MARKING OF MODULE FRAME
- 8 PACKAGING:
10 PIECES IN A CARTON



Contact arrangement view from termination side



| QTY | DESCRIPTION | MATERIAL | COLOR | ITEM NO |
|-----|-------------|----------|------------|---------|
| 1 | MALE INSERT | PC-GF20 | LIGHT GREY | 1 |

| | | | | |
|--|-----------|--------------------------------|---------------|--------|
| PN 0-1 / HVS-HSK.2.Sti.C | | | | |
| Tyco Electronics AMP GmbH 53757 Sankt Augustin, Germany | | NAME | | |
| | | MALE INSERT HVS-HSK.2.STI.C | | |
| SIZE | CAGE CODE | DRAWING NO | RESTRICTED TO | |
| A3 | 00779 | C=1103270 | | |
| CUSTOMER DRAWING | | SCALE 2:1 | SHEET 1 OF 1 | REV C1 |

| | | | |
|-------------------|--|--|---|
| DIMENSIONS: mm | | TOLERANCES UNLESS OTHERWISE SPECIFIED: ISO 2875 DIN ISO 2768 mH-E DIN 36901-120 | |
| | | 0 PLC | ± |
| | | 1 PLC | ± |
| | | 2 PLC | ± |
| | | 3 PLC | ± |
| | | 4 PLC | ± |
| | | ANGLES | ± |
| MATERIAL | | FINISH | |
| | | | |