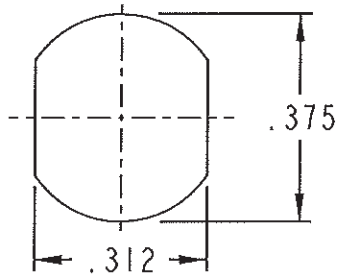
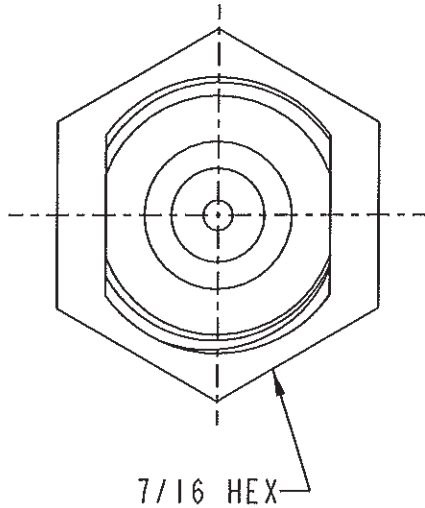


DATA CONTAINED IN THIS DOCUMENT IS PROPRIETARY TO EMERSON CONNECTIVITY SOLUTIONS AND SHALL NOT BE DISCLOSED, COPIED OR USED FOR PROMOTION OR MANUFACTURE WITHOUT EXPRESS WRITTEN PERMISSION

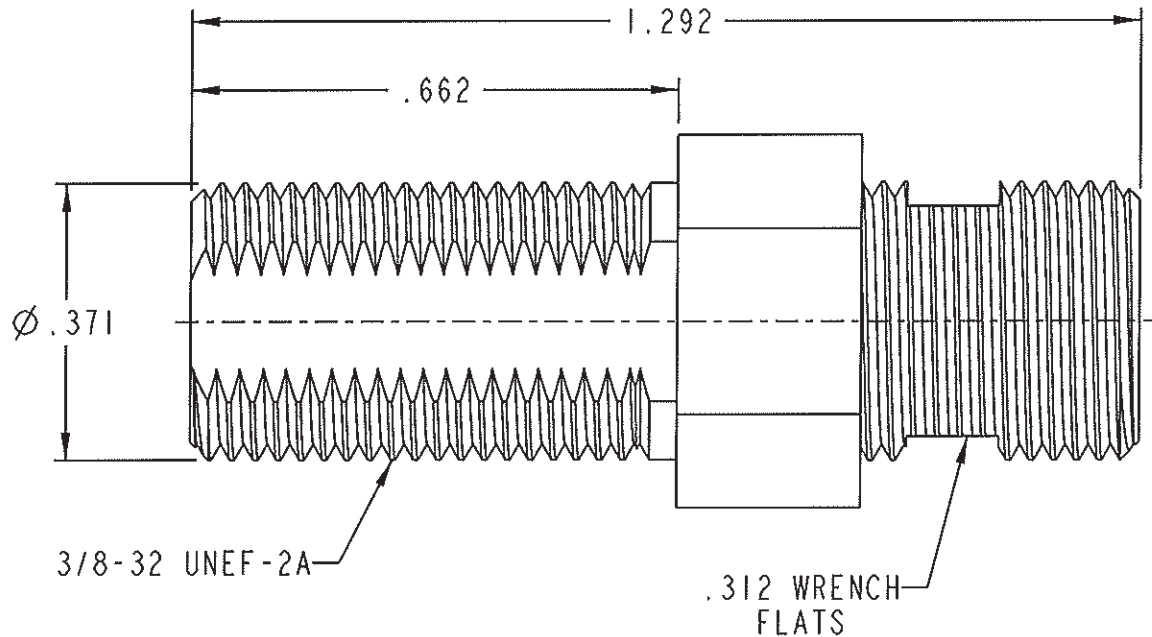
REVISIONS			
REV	DESCRIPTIONS	DATE	APPROVED
A	ECO 53025	2/15/11	T. Kohler



MOUNTING HOLE
SCALE 3:1



7/16 HEX



3/8-32 UNEF-2A

.312 WRENCH FLATS

INTERPRET DRAWING PER MIL-STD-100. DIMENSIONS ARE IN INCHES AND INCLUDE FINISH THICKNESS UNLESS OTHERWISE SPECIFIED.

FOL: UNLESS SPECIFIED.
 .XX ± .02
 .XXX ± .010
 .XXXX ±
 ANGLE ±
 CRITICAL



Cinch Connectivity Solutions
 299 Johnson Ave. Ste. 100
 Waseca, MN 56093
 1-800-247-8256

DRN C. WALLACE	2/15/11	MATERIAL:	TITLE:
CHK			AD 131
QUALITY		FINISH:	
MARK			
APPROVED			
PROJ FILE NO. 105-0442		DO NOT SCALE DWG	SCALE 1/1

SIZE A	CAGE CODE 14949	DRAWING NO. 105-0442	REV. A
DATE 5/31/73	SHEET 1	OF 2	

1. FINISH: TFS-1A (NICKEL)

NOTES: UNLESS OTHERWISE SPECIFIED.