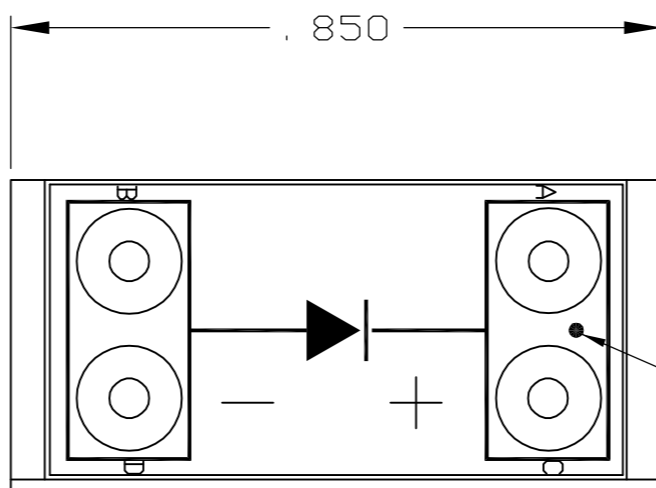


THIS DRAWING IS UNPUBLISHED. RELEASED FOR PUBLICATION - ,N/A .
 © COPYRIGHT N/A BY TYCO ELECTRONICS CORPORATION. ALL RIGHTS RESERVED.

| LOC | | DIST | | REVISIONS | | | |
|-----|-----|---------------------------|---------|-----------|------|--|--|
| P | LTR | DESCRIPTION | DATE | DWN | APVD | | |
| | | RELEASED PER OH14-0627-04 | 1-10-05 | CT | DE | | |

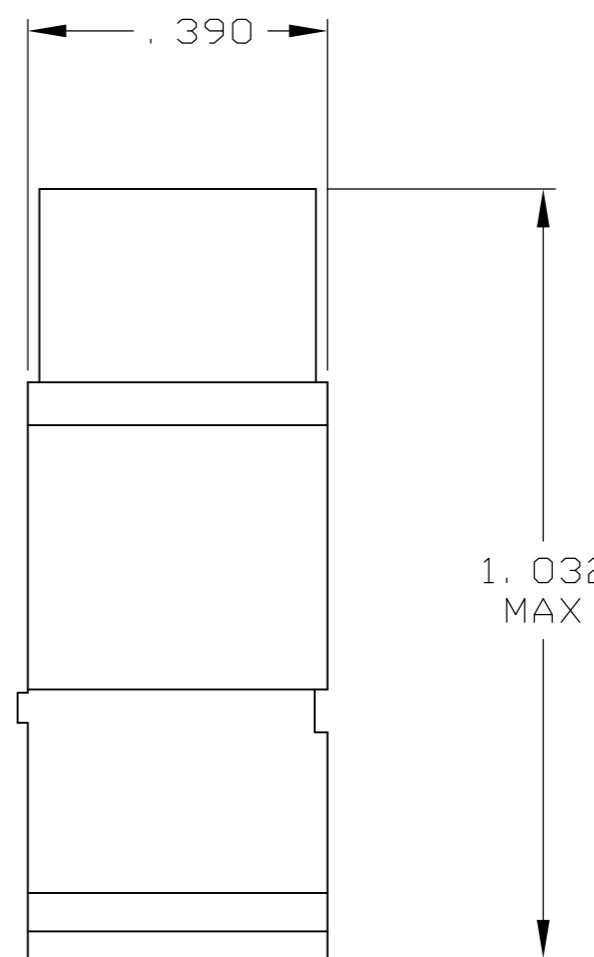
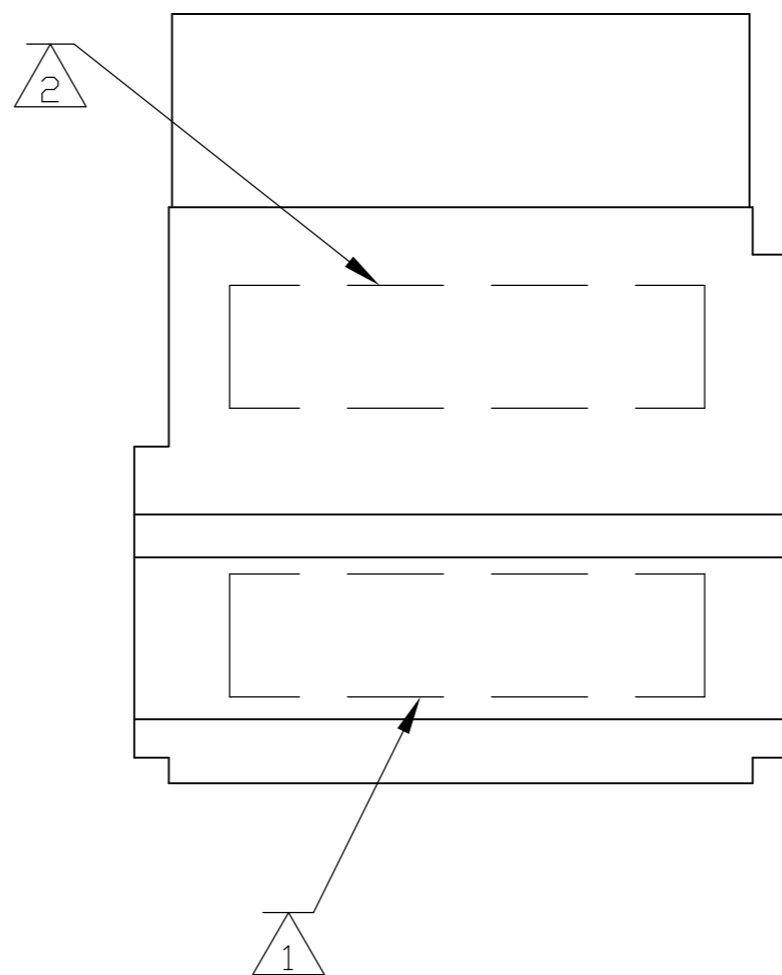
| DESCRIPTION | MATERIAL | FINISH |
|-----------------|--|-------------------------------|
| MODULE ASSEMBLY | D.A.P. PER MIL-M14 | COLOR: RED |
| GROMMET | FLOURSILICONE 40/50 PER MIL-R-25988 | COLOR: NATURAL |
| CONTACT SOCKET | BERYLLIUM COPPER ASTM-B194 | GOLD PLATE PER MIL-G-45204 |
| RETAINING CLIP | BERYLLIUM COPPER ASTM-B194 OR STAINLESS STEEL PER QQ-S-766 | NONE |
| DIODE | JANTX1N5618 | NONE |



INDEXING INDICATOR



SCHEMATIC DIAGRAM



- 1 MODULE ASSEMBLY MARKED WITH "AMP", AMP PART NO. AND DATE CODE
- 2 MODULE ASSEMBLY MARKED WITH CUSTOMER PART NUMBER (SEE TABLE).

| | |
|----------------------|-------------|
| LS13303-8 | 591810-2 |
| --- | 591810-1 |
| CUSTOMER PART NUMBER | PART NUMBER |

| | | | | | | | | | | | | | | | | | | | | | | |
|---|---|---------------------------------|---|------------------------|-------|---|---|-------|---|---|-------|---|------|-------|---|---|--------|---|---|-------------------|------------|--|
| THIS DRAWING IS A CONTROLLED DOCUMENT. | | DWN C. C. THOMAS 12-14-04 | Tyco Electronics Corporation Harrisburg, Pa 17105-3608 | | | | | | | | | | | | | | | | | | | |
| DIMENSIONS: INCHES | | CHK D. EABY 1-10-05 | | | | | | | | | | | | | | | | | | | | |
| TOLERANCES UNLESS OTHERWISE SPECIFIED: | | APVD D. EABY 1-10-05 | NAME TJ MODULE FEEDBACK SIZE 16 WITH DIODE | | | | | | | | | | | | | | | | | | | |
| <table border="1"> <tr><td>0 PLC</td><td>±</td><td>-</td></tr> <tr><td>1 PLC</td><td>±</td><td>-</td></tr> <tr><td>2 PLC</td><td>±</td><td>-</td></tr> <tr><td>3 PLC</td><td>±</td><td>.005</td></tr> <tr><td>4 PLC</td><td>±</td><td>-</td></tr> <tr><td>ANGLES</td><td>±</td><td>-</td></tr> </table> | | 0 PLC | ± | - | 1 PLC | ± | - | 2 PLC | ± | - | 3 PLC | ± | .005 | 4 PLC | ± | - | ANGLES | ± | - | PRODUCT SPEC - | SIZE A2 | |
| 0 PLC | ± | - | | | | | | | | | | | | | | | | | | | | |
| 1 PLC | ± | - | | | | | | | | | | | | | | | | | | | | |
| 2 PLC | ± | - | | | | | | | | | | | | | | | | | | | | |
| 3 PLC | ± | .005 | | | | | | | | | | | | | | | | | | | | |
| 4 PLC | ± | - | | | | | | | | | | | | | | | | | | | | |
| ANGLES | ± | - | | | | | | | | | | | | | | | | | | | | |
| MATERIAL SEE TABLE | | FINISH SEE TABLE | APPLICATION SPEC - | CAGE CODE 00779 | | | | | | | | | | | | | | | | | | |
| | | WEIGHT - | RESTRICTED TO - | DRAWING NO C-591810 | | | | | | | | | | | | | | | | | | |
| | | CUSTOMER DRAWING | SCALE 4: 1 | SHEET 1 OF 1 | | | | | | | | | | | | | | | | | | |