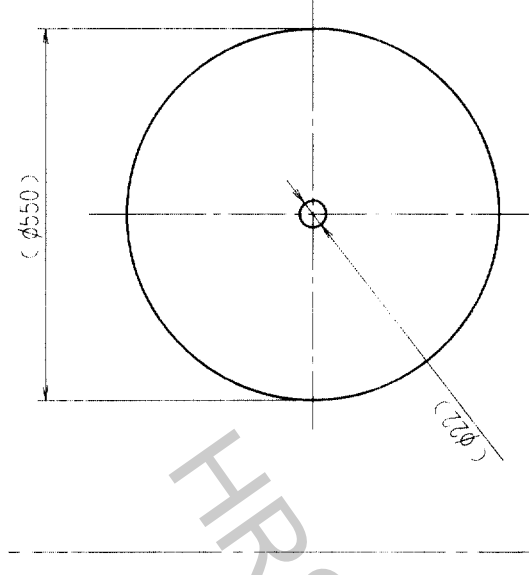
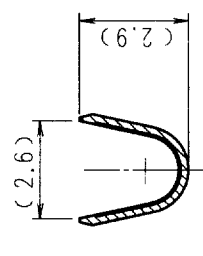


| COUNT | DESCRIPTION OF REVISIONS | BY | CHKD | DATE | COUNT | DESCRIPTION OF REVISIONS | BY | CHKD | DATE |
|-------|--------------------------|----|------|------|-------|--------------------------|----|------|------|
| △     |                          |    |      |      | △     |                          |    |      |      |
| △     |                          |    |      |      | △     |                          |    |      |      |
| △     |                          |    |      |      | △     |                          |    |      |      |

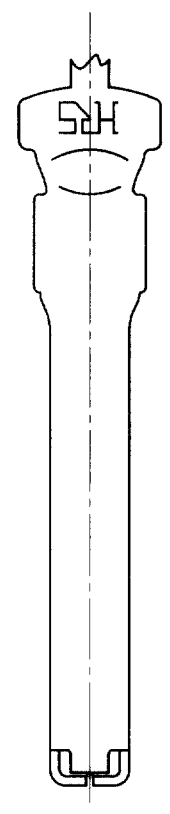
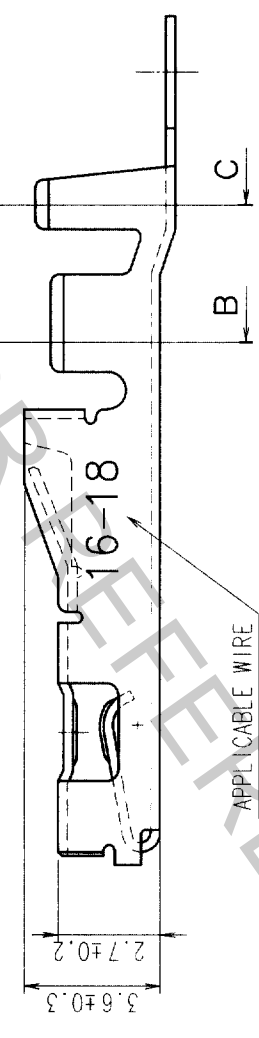
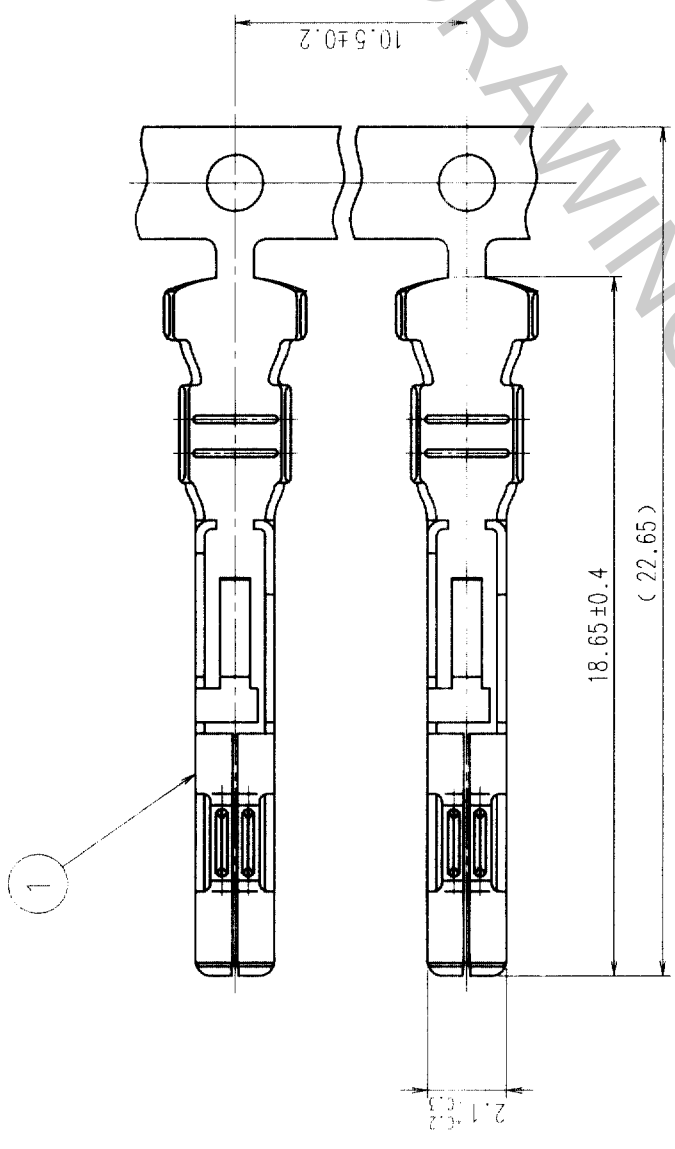
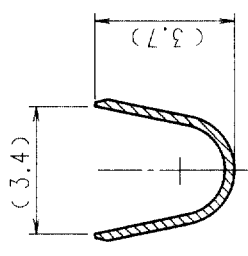
PACKING REEL(FREE)



B-B



C-C



- NOTES
1. APPLICABLE WIRE IS AWG#18~16.
  2. PER REEL:5000 CONTACTS.
  3. APPLICABLE CRIMPING MACHINE AND CRIMPING CONDITIONS (CRIMP HEIGHT etc.) WILL BE SPECIFIED ACCORDING TO AWG # OR WIRE APPLIED.

| NO. | MATERIAL | FINISH, REMARKS | FINISH, REMARKS | COPPER ALLOY | SELECTIVE GOLD PLATING 0.2μm |
|-----|----------|-----------------|-----------------|--------------|------------------------------|
| 1   |          |                 |                 |              |                              |

| CODE NO. (OLD) | DRAWN              | DESIGNED        | CHECKED         | APPROVED        | RELEASED |
|----------------|--------------------|-----------------|-----------------|-----------------|----------|
|                | <i>Y. Yamazaki</i> | <i>Y. Enami</i> | <i>Y. Enami</i> | <i>H. Miura</i> |          |
|                | 03.11.15           | 03.11.15        | 03.11.06        | 03.11.06        |          |

|       |                |                 |
|-------|----------------|-----------------|
|       | DRAWING NO.    | PART NO.        |
|       | EDC3-121301-01 | PX50-SC-231(50) |
| SCALE | 5 : 1          |                 |
| UNITS | mm             |                 |
|       | CODE NO.       | CL236-0003-5-50 |
|       |                | 1/1             |

|    |  |
|----|--|
| TO |  |
| Q  |  |
|    |  |
|    |  |