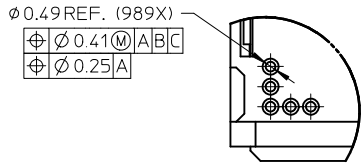
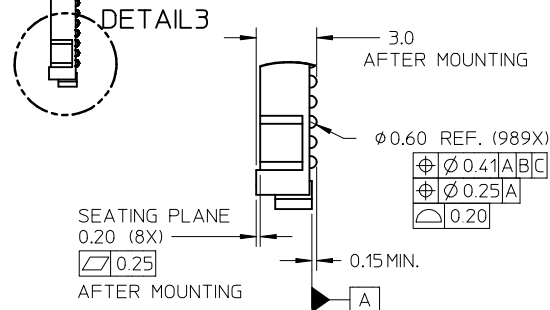
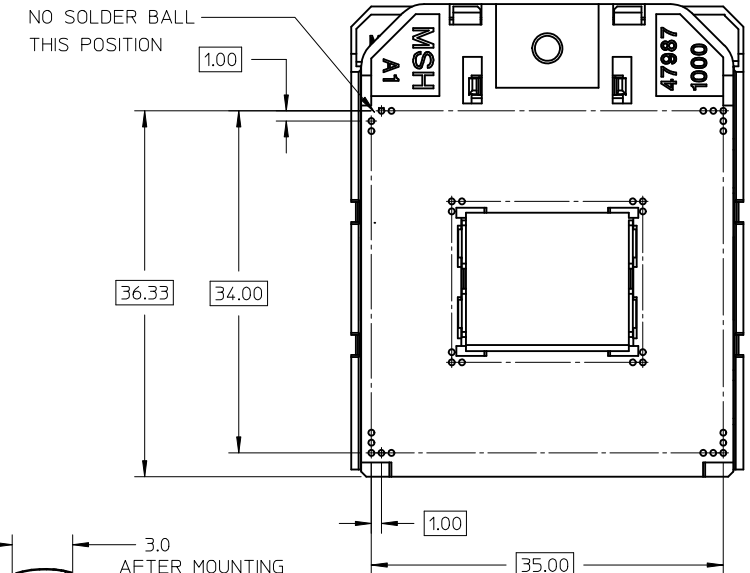


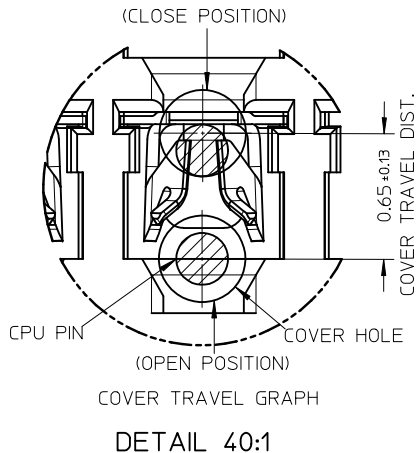
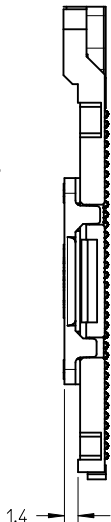
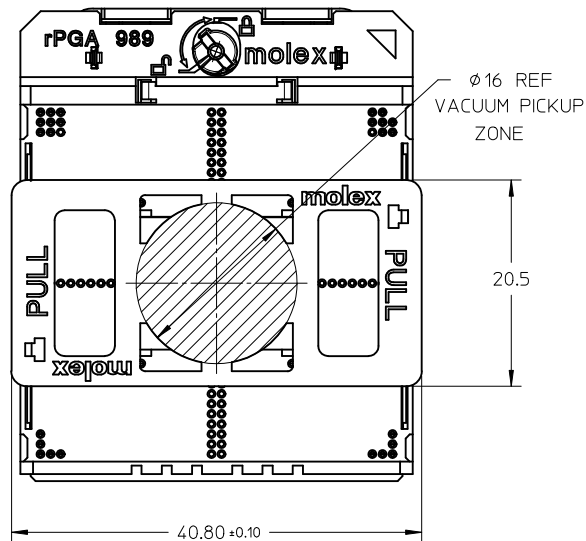
- NOTES:
- 1) THIS SOCKET COMPLIES WITH ALL SPECIFICATIONS AND PERFORMANCE REQUIREMENTS FOR INTEL rPGA98X SERIES CPU PROCESSORS.
 - 2) SOCKET SHOWN IN OPEN POSITION.
 - 3) SEE SHEET 2 FOR DETAILS PERTAINING TO KEYING, MATERIAL AND PACKAGING OPTIONS.
 - 4) THIS PRODUCT SERIES COMPLIANT TO RoHS DIRECTIVE 2002/95/EC AND ELV DIRECTIVE 2000/53/EC.



DETAIL 2

REVISED EC NO: SH2011-0076 DRWN:ZYAN CHKD: APPR:AYIN REV B	DESCRIPTION 2010/09/03 2010/09/06 2010/09/17	QUALITY SYMBOLS	GENERAL TOLERANCES (UNLESS SPECIFIED)		DIMENSION STYLE		SCALE	DESIGN UNITS	THIRD ANGLE PROJECTION	
		$F_A=0$ $F_C=0$ $F_P=0$	mm	INCH	MM ONLY		2:1	METRIC		
		4 PLACES ± --- ± --- 3 PLACES ± --- ± --- 2 PLACES ± 0.10 ± --- 1 PLACE ± 0.20 ± ---	DRAWN BY QWFANG DATE 2008/04/25		CHECKED BY JKACH LIC DATE 2008/05/29		APPROVED BY CL IANG DATE 2008/05/29		TITLE RPGA989 SOCKET ASSEMBLY	
		ANGULAR ± 2 °	DRAFT WHERE APPLICABLE MUST REMAIN WITHIN DIMENSIONS		MATERIAL NO. SEE TABLE		MOLEX INCORPORATED		DOCUMENT NO. SD-47989-001	SHEET NO. 1 OF 6

REMOVEABLE PICK & PLACE CAP

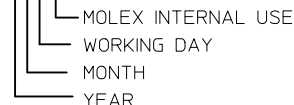


NOTES:

1) MATERIALS:

- MOLDED COMPONENTS: LIQUID CRYSTAL POLYMER (LCP) UL 94V-0
- BASE HOUSING COLOR: BLACK
- COVER COLOR: NATURAL
- MYLAR(POLYIMIDE, COLOR:ORANGE) OR PhP COVER(LCP, COLOR: BLACK) FOR PICK & PLACE.
- CONTACTS: HIGH STRENGTH COPPER ALLOY
- PLATING: GOLD THICKNESS AS FOLLOWING TABLE 1-3 IN CONTACT AREA, 1.3um NICKEL OVERALL
- CAM COMPONENTS: STAINLESS STEEL
- SOLDER BALL: LEAD-FREE BALL SnAg3.0Cu0.5

2) DATE CODE *****



3) PRODUCT SPECIFICATION PS-47989-00* APPLIES

- 4) PACKAGING SPECIFICATION: PK-47989-001 (TAPE & REEL)
- PK-47989-002 (HARD TRAY)

REVISED EC NO: SH2011-0076 DRWN:ZYUAN CHKD: APPR:AYIN	REV DESCRIPTION 2010/09/03 2010/09/06 2010/09/17	QUALITY SYMBOLS	GENERAL TOLERANCES (UNLESS SPECIFIED)		DIMENSION STYLE	SCALE	DESIGN UNITS	THIRD ANGLE PROJECTION	
		$\nabla F=0$	mm	INCH	MM ONLY	2:1	METRIC		
		$\nabla F=0$	4 PLACES ± ---	± ---	DRAWN BY	DATE	TITLE		
		$\nabla F=0$	3 PLACES ± ---	± ---	QWFANG	2008/04/25	RPGA989 SOCKET ASSEMBLY		
		2 PLACES ± 0.10	± ---	CHECKED BY	DATE				
		1 PLACE ± 0.20	± ---	JKACHLIC	2008/05/29				
		ANGULAR ± 2 °		APPROVED BY	DATE				
				CL IANG	2008/05/29				
				MATERIAL NO.		MOLEX INCORPORATED			
				SEE TABLE		SD-47989-001		SHEET NO.	
								2 OF 6	
				DRAFT WHERE APPLICABLE MUST REMAIN WITHIN DIMENSIONS	SIZE	THIS DRAWING CONTAINS INFORMATION THAT IS PROPRIETARY TO MOLEX INCORPORATED AND SHOULD NOT BE USED WITHOUT WRITTEN PERMISSION			
					A3				

PART NO. OF GF PLATING- TABLE 1

PART NUMBER	PICK UP TYPE		PACKAGE TYPE		PRODUCT SPEC.
	MYLAR	CAP	T&R	HARD TRAY	
47989-0110	◆			◆	PS-47989-002
47989-0120	◆		◆		
47989-0130		◆		◆	
47989-0140		◆	◆		
47989-0210	◆			◆	
47989-0220	◆		◆		
47989-0230		◆		◆	
47989-0240		◆	◆		

PART NO. OF 10u" MIN. GOLD PLATING- TABLE 2

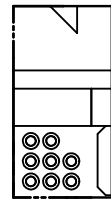
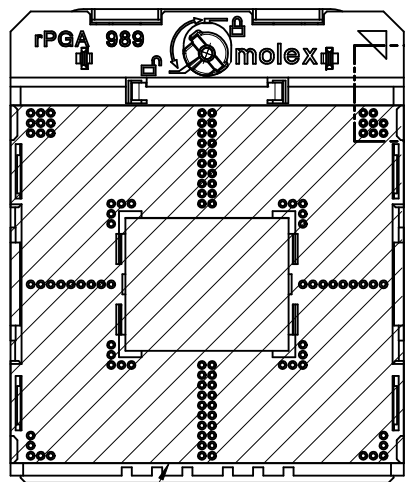
PART NUMBER	PICK UP TYPE		PACKAGE TYPE		PRODUCT SPEC.
	MYLAR	CAP	T&R	HARD TRAY	
47989-0111	◆			◆	PS-47989-003
47989-0121	◆		◆		
47989-0131		◆		◆	
47989-0141		◆	◆		
47989-0211	◆			◆	
47989-0221	◆		◆		
47989-0231		◆		◆	
47989-0241		◆	◆		

PART NO. OF 15u" MIN. GOLD PLATING- TABLE 3

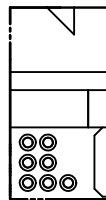
PART NUMBER	PICK UP TYPE		PACKAGE TYPE		PRODUCT SPEC.
	MYLAR	CAP	T&R	HARD TRAY	
47989-0112	◆			◆	PS-47989-001
47989-0122	◆		◆		
47989-0132		◆		◆	
47989-0142		◆	◆		
47989-0212	◆			◆	
47989-0222	◆		◆		
47989-0232		◆		◆	
47989-0242		◆	◆		

SOCKET KEYING OPTIONS

MYLAR PICK & PLACE OPTION

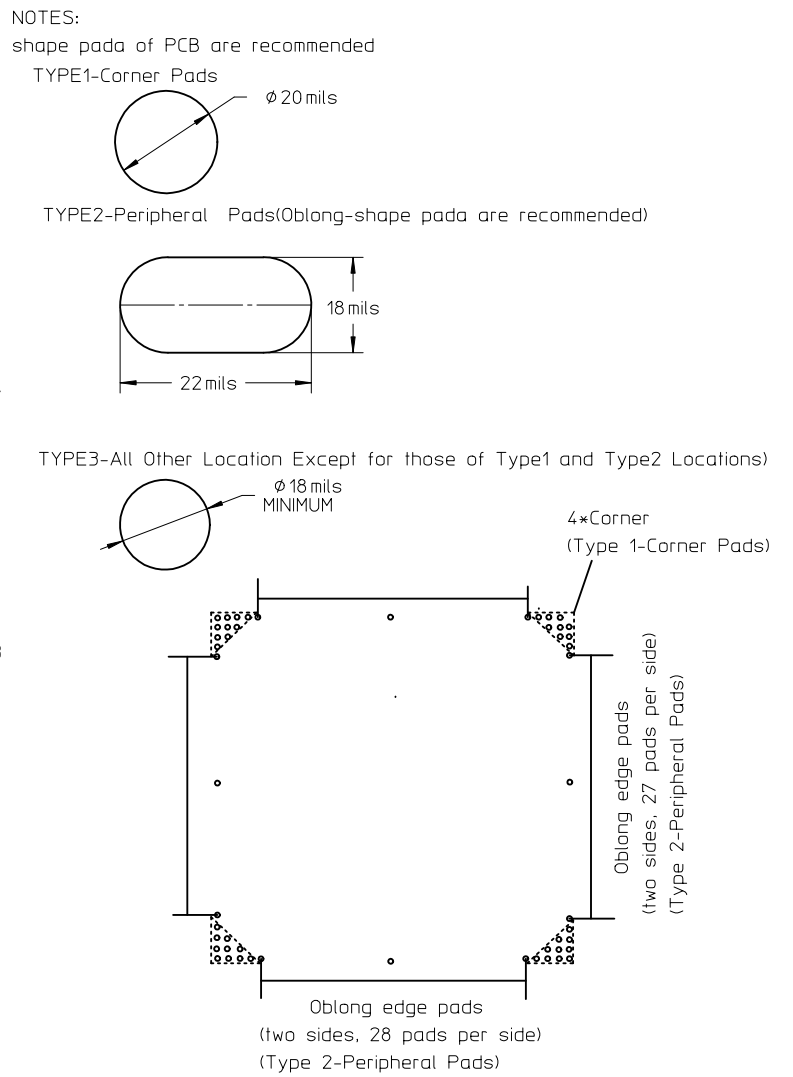
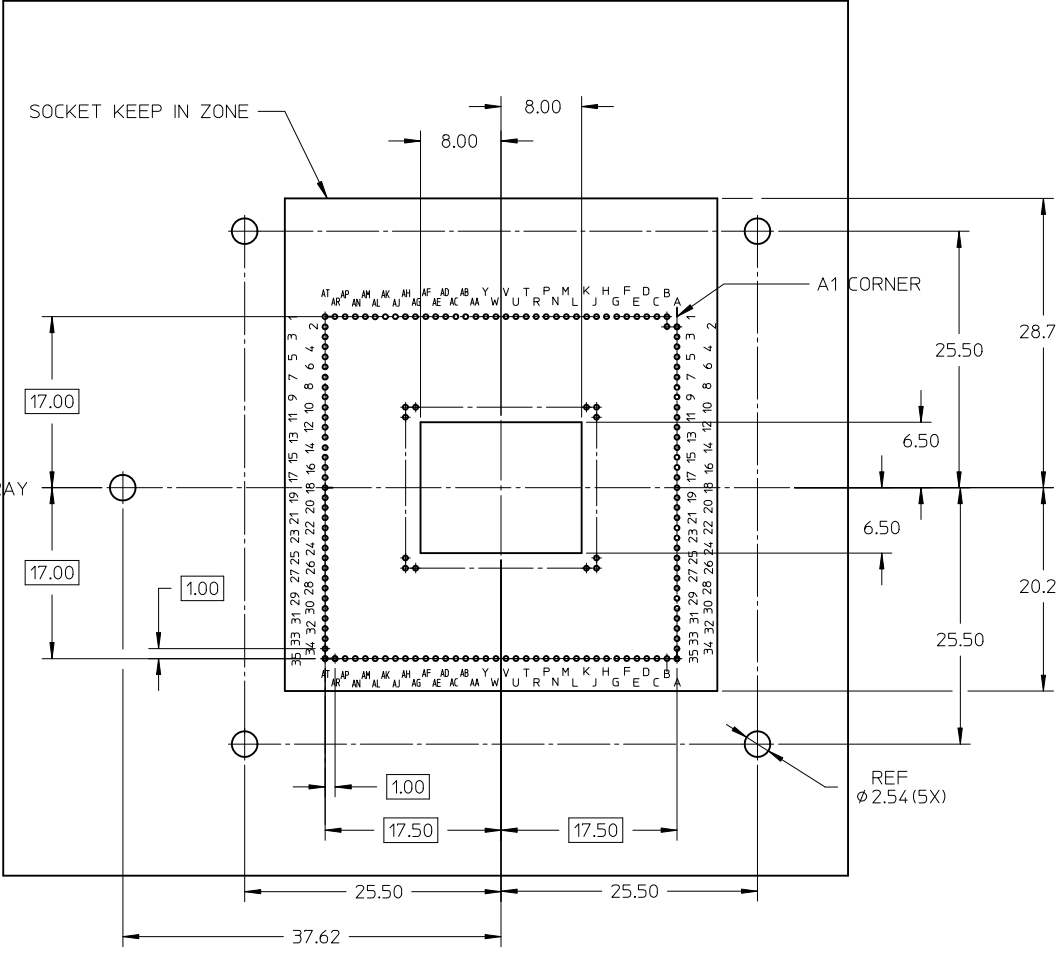


rPGA989
47989-01**



rPGA988A
47989-02**

REVISED EC NO: SH2011-0076 DRWN:ZYAN CHKD: APPR:AYIN 2010/09/03 2010/09/06 2010/09/17	QUALITY SYMBOLS $F_A=0$ $F_C=0$ $F_P=0$	GENERAL TOLERANCES (UNLESS SPECIFIED)		DIMENSION STYLE MM ONLY		SCALE 2:1	DESIGN UNITS METRIC	THIRD ANGLE PROJECTION		
			mm	INCH	DRAWN BY	DATE	TITLE			
		4 PLACES	± ---	± ---	QWFANG	2008/04/25	RPGA989 SOCKET ASSEMBLY			
		3 PLACES	± ---	± ---	CHECKED BY	DATE	MOLEX INCORPORATED			
2 PLACES	± 0.10	± ---	JKACHLIC	2008/05/29	MATERIAL NO.					
1 PLACE	± 0.20	± ---	APPROVED BY	DATE	DOCUMENT NO.					
	ANGULAR ± 2 °		CL IANG	2008/05/29	SD-47989-001					
DRAFT WHERE APPLICABLE MUST REMAIN WITHIN DIMENSIONS		SEE TABLE		THIS DRAWING CONTAINS INFORMATION THAT IS PROPRIETARY TO MOLEX INCORPORATED AND SHOULD NOT BE USED WITHOUT WRITTEN PERMISSION		SHEET NO.		3 OF 6		



MOTHERBOARD KEEP IN ZONE (KIZ)
(FOR NORMAL)

REVISED EC NO: SH2011-0076 DRWN:ZYAN CHKD: APPR:AYIN	2010/09/03 2010/09/06 2010/09/17	DESCRIPTION REV	QUALITY SYMBOLS	GENERAL TOLERANCES (UNLESS SPECIFIED)		DIMENSION STYLE		SCALE	DESIGN UNITS	THIRD ANGLE PROJECTION
			$F_A = 0$ $F_C = 0$ $F_D = 0$	mm	INCH	MM ONLY		METRIC		
			4 PLACES ± --- ± --- 3 PLACES ± --- ± --- 2 PLACES ± 0.10 ± --- 1 PLACE ± 0.20 ± ---	DRAWN BY QWFANG		DATE	TITLE			
			ANGULAR ± 2 °	CHECKED BY JKACHLIC		DATE	RPGA989 SOCKET ASSEMBLY			
DRAFT WHERE APPLICABLE MUST REMAIN WITHIN DIMENSIONS			MATERIAL NO.		APPROVED BY CL IANG		DATE	MOLEX INCORPORATED		
			SEE TABLE		2008/05/29		DOCUMENT NO.	SD-47989-001		
			SIZE A3		THIS DRAWING CONTAINS INFORMATION THAT IS PROPRIETARY TO MOLEX INCORPORATED AND SHOULD NOT BE USED WITHOUT WRITTEN PERMISSION				SHEET NO. 4 OF 6	

PART NO. OF GF PLATING- TABLE 1

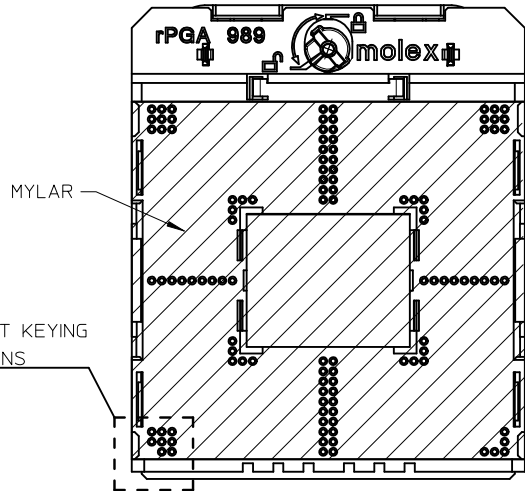
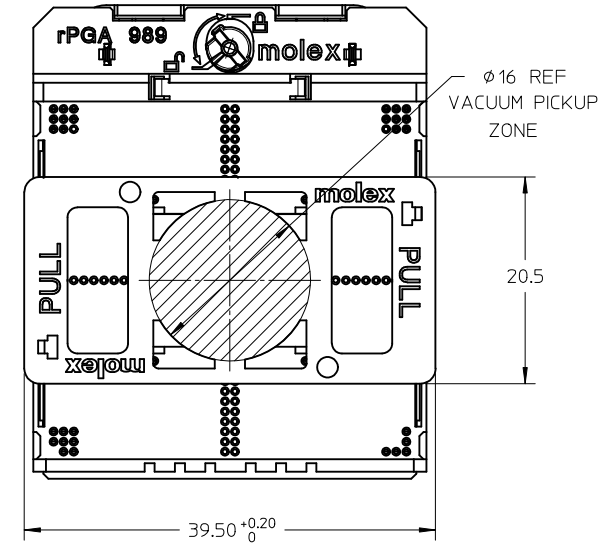
PART NUMBER	PICK UP TYPE		PACKAGE TYPE		PRODUCT SPEC.
	MYLAR	CAP	T&R	HARD TRAY	
47989-9110	◆			◆	PS-47989-002
47989-9120	◆		◆	◆	
47989-9130		◆		◆	
47989-9140		◆	◆	◆	
47989-9210	◆			◆	
47989-9220	◆		◆	◆	
47989-9230		◆		◆	
47989-9240		◆	◆	◆	

PART NO. OF 10u" MIN. GOLD PLATING- TABLE 2

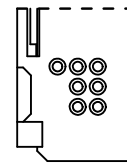
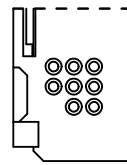
PART NUMBER	PICK UP TYPE		PACKAGE TYPE		PRODUCT SPEC.
	MYLAR	CAP	T&R	HARD TRAY	
47989-9111	◆			◆	PS-47989-003
47989-9121	◆		◆	◆	
47989-9131		◆		◆	
47989-9141		◆	◆	◆	
47989-9211	◆			◆	
47989-9221	◆		◆	◆	
47989-9231		◆		◆	
47989-9241		◆	◆	◆	

PART NO. OF 15u" MIN. GOLD PLATING- TABLE 3

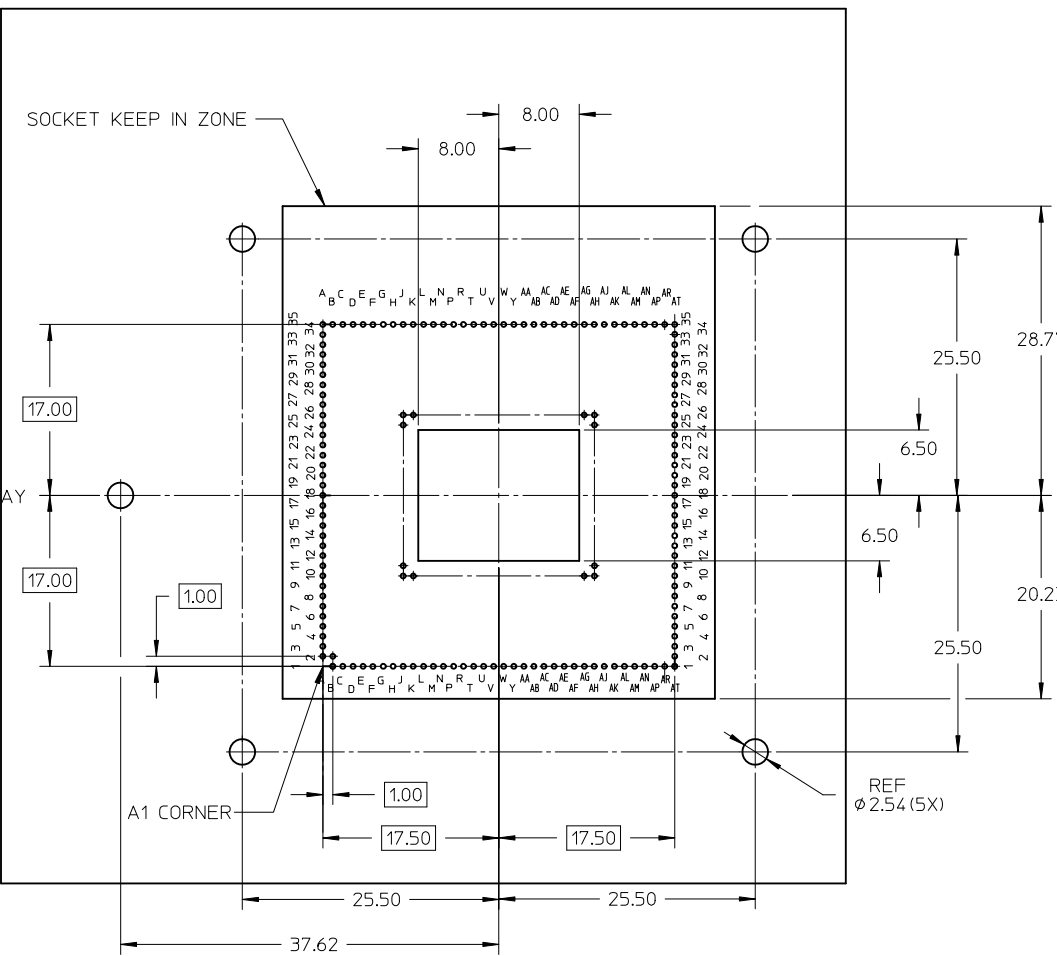
PART NUMBER	PICK UP TYPE		PACKAGE TYPE		PRODUCT SPEC.
	MYLAR	CAP	T&R	HARD TRAY	
47989-9112	◆			◆	PS-47989-001
47989-9122	◆		◆	◆	
47989-9132		◆		◆	
47989-9142		◆	◆	◆	
47989-9212	◆			◆	
47989-9222	◆		◆	◆	
47989-9232		◆		◆	
47989-9242		◆	◆	◆	



(180° ROTATION)

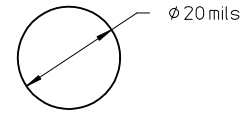


REVISED EC NO: SH2011-0076 DRWN:ZYAN CHKD: APPR:AYIN 2010/09/03 2010/09/06 2010/09/17	DESCRIPTION QUALITY SYMBOLS $F_A=0$ $F_C=0$ $F_P=0$	GENERAL TOLERANCES (UNLESS SPECIFIED)		DIMENSION STYLE MM ONLY	SCALE 2:1	DESIGN UNITS METRIC	THIRD ANGLE PROJECTION		
		4 PLACES ± --- ± --- 3 PLACES ± --- ± --- 2 PLACES ± 0.10 ± --- 1 PLACE ± 0.20 ± ---	mm INCH	DRAWN BY QWFANG	DATE 2008/04/25	TITLE RPGA989 SOCKET ASSEMBLY			
		ANGULAR ± 2 °		CHECKED BY JKACHLIC	DATE 2008/05/29	APPROVED BY CL IANG			
		DRAFT WHERE APPLICABLE MUST REMAIN WITHIN DIMENSIONS		MATERIAL NO. SEE TABLE	DATE 2008/05/29	MOLEX INCORPORATED		DOCUMENT NO. SD-47989-001	SHEET NO. 5 OF 6

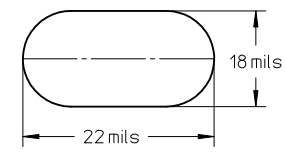


NOTES:
shape pada of PCB are recommended

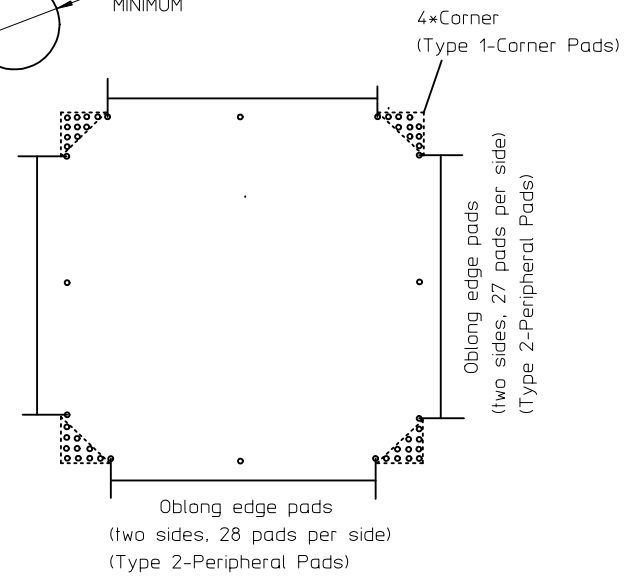
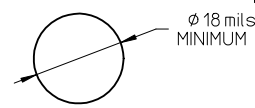
TYPE1-Corner Pads



TYPE2-Peripheral Pads(Oblong-shape pada are recommended)



TYPE3-All Other Location Except for those of Type1 and Type2 Locations)



MOTHERBOARD KEEP IN ZONE (KIZ)
(FOR 180° ROTATION)

REVISED EC NO: SH2011-0076 DRWN:ZYXAN CHKD: APPR:AYIN	QUALITY SYMBOLS F=0 F=0 F=0	GENERAL TOLERANCES (UNLESS SPECIFIED)		DIMENSION STYLE MM ONLY		SCALE 2:1	DESIGN UNITS METRIC	THIRD ANGLE PROJECTION			
		4 PLACES ± --- ± ---	mm INCH	DRAWN BY QWFANG	DATE 2008/04/25	TITLE RPGA989 SOCKET ASSEMBLY					
		3 PLACES ± --- ± ---		CHECKED BY JKACHLIC	DATE 2008/05/29						
		2 PLACES ± 0.10 ± ---		APPROVED BY CL IANG	DATE 2008/05/29	MOLEX INCORPORATED					
		1 PLACE ± 0.20 ± ---		MATERIAL NO. SEE TABLE		DOCUMENT NO. SD-47989-001	SHEET NO. 6 OF 6				
DRAFT WHERE APPLICABLE MUST REMAIN WITHIN DIMENSIONS		THIS DRAWING CONTAINS INFORMATION THAT IS PROPRIETARY TO MOLEX INCORPORATED AND SHOULD NOT BE USED WITHOUT WRITTEN PERMISSION									