

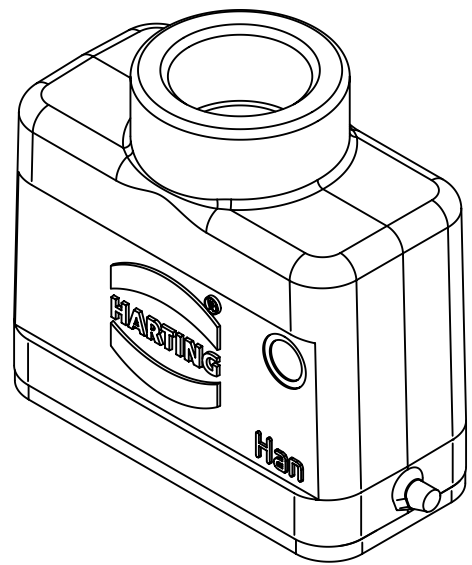
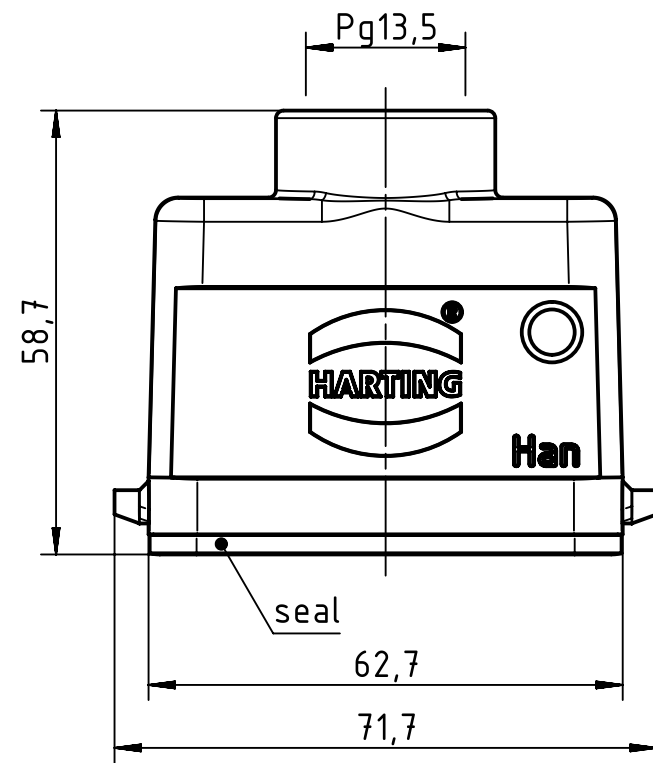
1 2 3 4 5 6


A

B

C

D



	All Dimensions in mm Original Size DIN A4		Scale	Free size tol.		Ref.	
	All rights reserved Department EL PD - DE		1:1			Sub. TB 09 20 010 1440 v. 23.04.99	
HARTING Electric GmbH & Co. KG D-32339 Espelkamp		Created by	Inspected by	Standardisation	Date	State	
		SPREENB	BERGHORN	TIEMANNA	2014-02-12	Final Release	
Title Han A Hood Top Entry LC PG 13.5 2 Pegs						Doc-Key / ECM-Nr. 100110630/UGD/005/A 500000071222	
			Type	Number		Rev.	Page
			TB	09 20 010 1440		A	1/1