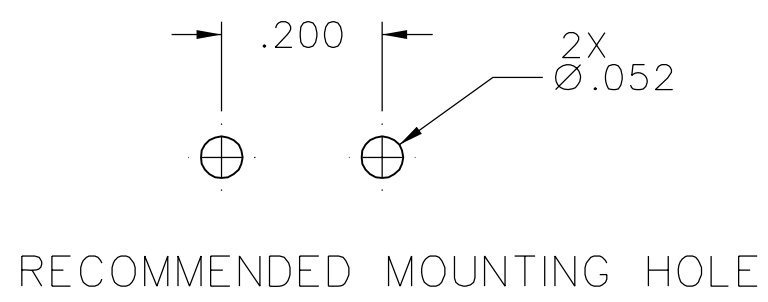
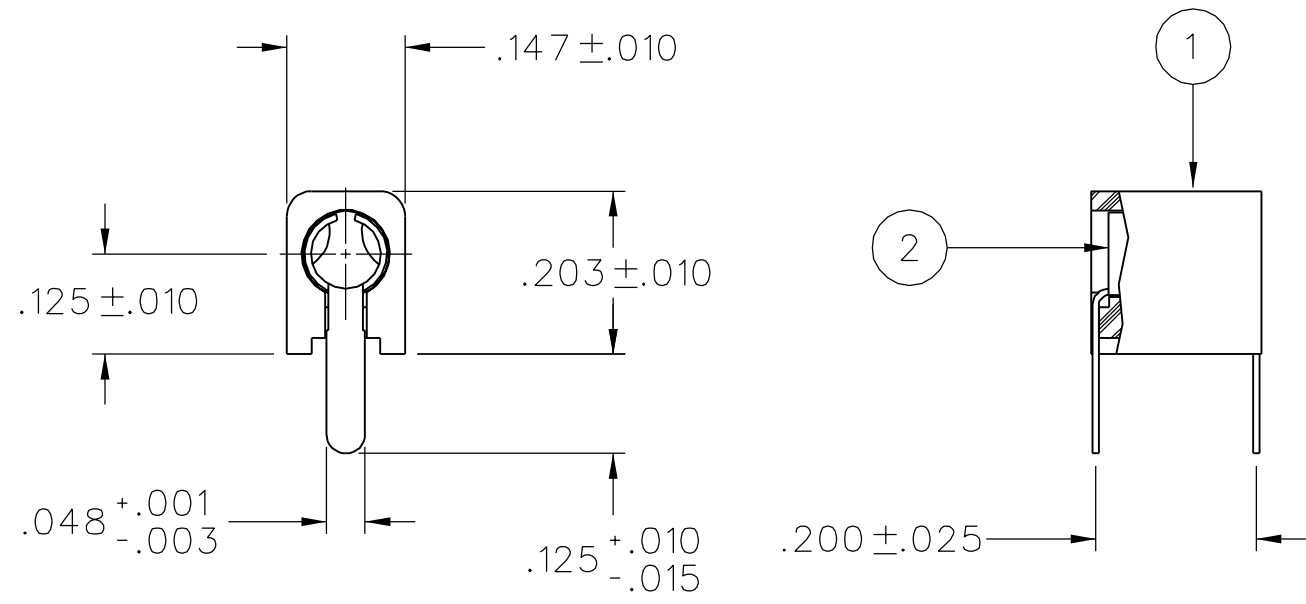


PART NUMBER	ITEM ① BODY	COLOR	ITEM ② CONTACT
105-1101-001	NYLON	WHITE	COPPER ALLOY 688 SILVER PL .0001 MIN
105-1102-001		RED	
105-1103-001		BLACK	
105-1104-001		GREEN	
105-1105-001			
105-1106-001		ORANGE	
105-1107-001		YELLOW	
105-1108-001		BROWN	
105-1109-001			
105-1110-001		BLUE	
105-1111-001			
105-1112-001		VIOLET	
105-1113-001		GRAY	
105-1114-001			
105-1115-001			
105-1116-001			
105-1117-001			
105-1118-001			
105-1119-001			
105-1120-001			



DRAWING NO. B - 105-1101/1120-001	
0	REVISIONS
REVISED AND REDRAWN. DRAWING WAS "C" SIZE 105-1101/1120-001/200 DATED 7-14-87. SPLIT INTO 4 SEPERATE DWGS. CREATED SHEET 2. ***** * REVISION NUMBER FOLLOWED BY AN ALPHA * * CHARACTER INDICATES DRAWING CLARIFICATION OR PART NUMBER ADDITION ONLY * *****	
16c	2-6-03 R H R J B ECN 48701

NOTES:
 SPECIFICATIONS:
 ELECTRICAL:
 CURRENT RATING: 5 AMPS DC MINIMUM
 DIELECTRIC WITHSTANDING VOLTAGE: 2100 VRMS MIN AT SEA LEVEL
 RECOMMENDED WORKING VOLTAGE: 1500 VRMS MAX AT SEA LEVEL
 350 VRMS MAX AT 50,000 FEET
 INSULATION RESISTANCE: 5000 MEGOHMS MIN
 CONTACT RESISTANCE: 3 MILLIOHMS MAXIMUM
 CAPACITANCE: 1 PF NOMINAL
 MECHANICAL:
 INSERTION/WITHDRAWAL FORCE: .25 - 4.5 POUNDS
 CONTACT RETENTION IN INSULATOR FORCE: NOT APPLICABLE
 CONTACT RETENTION IN INSULATOR TORQUE: NOT APPLICABLE
 INSULATOR RETENTION IN .062 PANEL FORCE: NOT APPLICABLE
 INSULATOR RETENTION IN SLEEVE FORCE: NOT APPLICABLE
 INSULATOR RETENTION IN PANEL TORQUE: NOT APPLICABLE
 PLASTIC MOUNTING THREAD STRIPPING TORQUE: NOT APPLICABLE
 RESISTANCE TO TEST PROBE DAMAGE TORQUE: 2 IN LB MIN
 MATING TIP PLUG DIAMETER: .080
 DURABILITY: 500 CYCLES MINIMUM
 ENVIRONMENTAL:
 (MEETS OR EXCEEDS THE APPLICABLE PARAGRAPH OF MIL-PRF-39024)
 OPERATING TEMPERATURE: -55 DEG C TO 75 DEG C
 TEMPERATURE RISE AT RATED CURRENT: 10 DEG C MAXIMUM
 CORROSION: MIL-STD-1344, METHOD 1001, CONDITION B
 SHOCK: MIL-STD-1344, METHOD 2004, CONDITION G
 VIBRATION: MIL-STD-1344, METHOD 2005, CONDITION I
 HUMIDITY: MIL-STD-1344, METHOD 1002, CONDITION B



CUSTOMER DRAWING
 THIS DRAWING TO BE INTERPRETED PER ASME Y 14.5M - 1994
 "μSTATION"
 COMPANY CONFIDENTIAL

TOLERANCE UNLESS OTHERWISE SPECIFIED	DRAWN BY RJB	DATE 12-19-02
DECIMALS mm	CHECKED BY	DATE
.XX _____		
.XXX _____	APPROVED BY RJB	DATE 2-7-03
MATL _____	RELEASE DATE	2-7-03
FINISH _____	U/M INCH	SCALE 4:1

Cinch
CONNECTIVITY SOLUTIONS
a bel group

Cinch Connectivity Solutions
P.O. Box 1732
Waseca, MN 56093
1-800-247-8256

TITLE
TIP JACK, MINIATURE
HORIZONTAL PC MOUNT
FOR .080 DIA PLUG

SHEET
2 OF 2

DRAWING NO.
B - 105-1101/1120-001