

SPECIFICATIONS

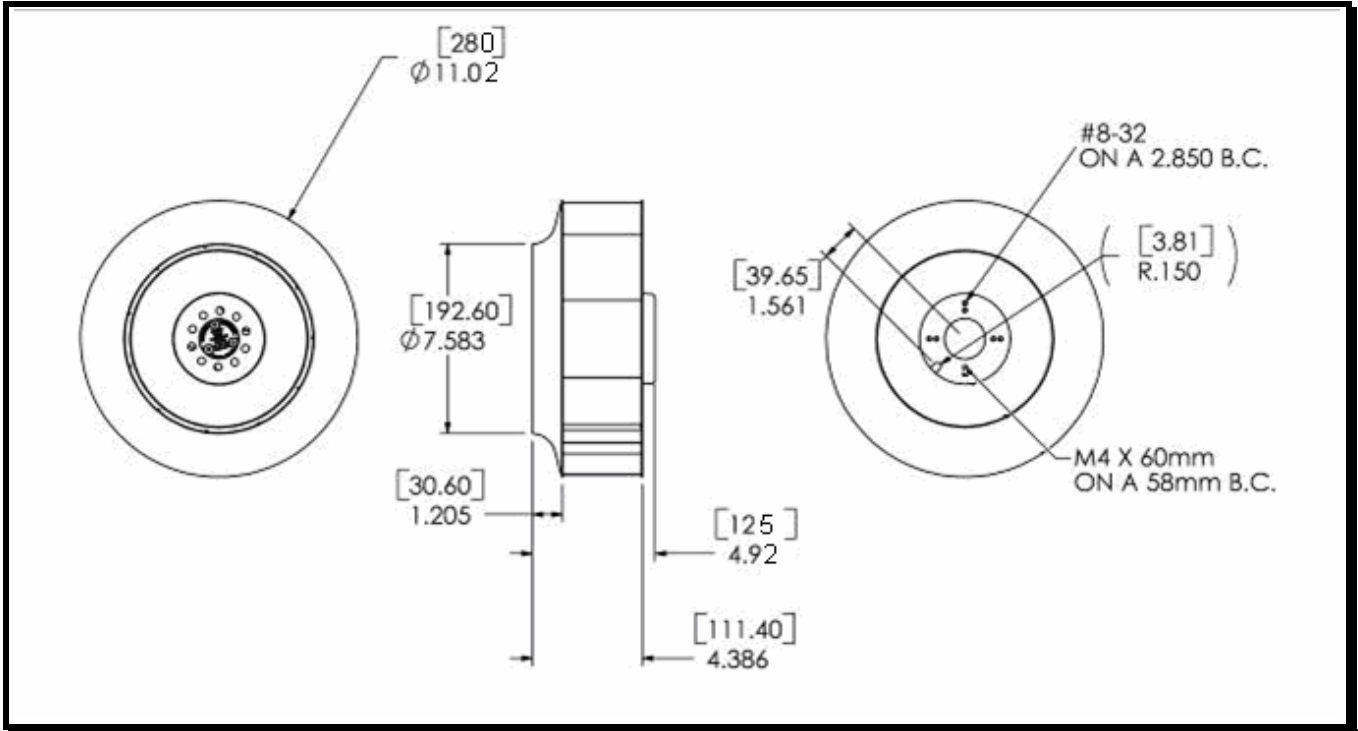
RoHS Compliant



Model Number: DDE114948K1E
Part Number: 040965 Rev. 2

June 09, 2011

Mechanical Drawing



Motor:

Nominal Voltage	= 48 VDC
Operating Voltage Range	= 28 - 72 VDC
Nominal Running Current	= 2.6 amps
Locked Rotor Current	= 4.0 amps
Running Power	= 125 watts
Average Speed	= 1900 RPM
Bearings	= Ball
Air Flow	= 1050 CFM
Static Pressure	= 1.7 (in/H ₂ O)
Acoustic	= 78 dBA

Construction:

Motor Base: Die Cast Aluminum
Propeller: Sheet Metal, Galvanized

Agency Approvals:

UL, cUL

Life Expectancy:

40,000 hrs @ 50°C

Additional Features:

Brushless DC Motor
Electronic Locked Rotor Protection
Polarity Protected
Automatic Restart Capability
Operating Temperature: -25°C to 70°C
Storage Temperature: -40°C to 85°C

Tachometer Specifications:

Output: Open Collector
I_c: 10 mA. Max
V_{cc}: 72 VDC Max
Pulses per Revolution: 3
Isolated: No

Programmable Speed Control

Method: PWM
Amplitude: 0-10VDC
Frequency: 200-20KHz

Termination:

18" Harness, fan base edge / tip of connector,
Ld wire: UL 1007, 20AWG
Connector: Molex 39-01-2040
Terminals: Molex 39-00-0059
Red - Power (+)
Black - Return (-)
Blue/White - Tachometer (Output)
Yellow - Speed Control (Input)



Comair Rotron Specification Sheet

Fan performance

