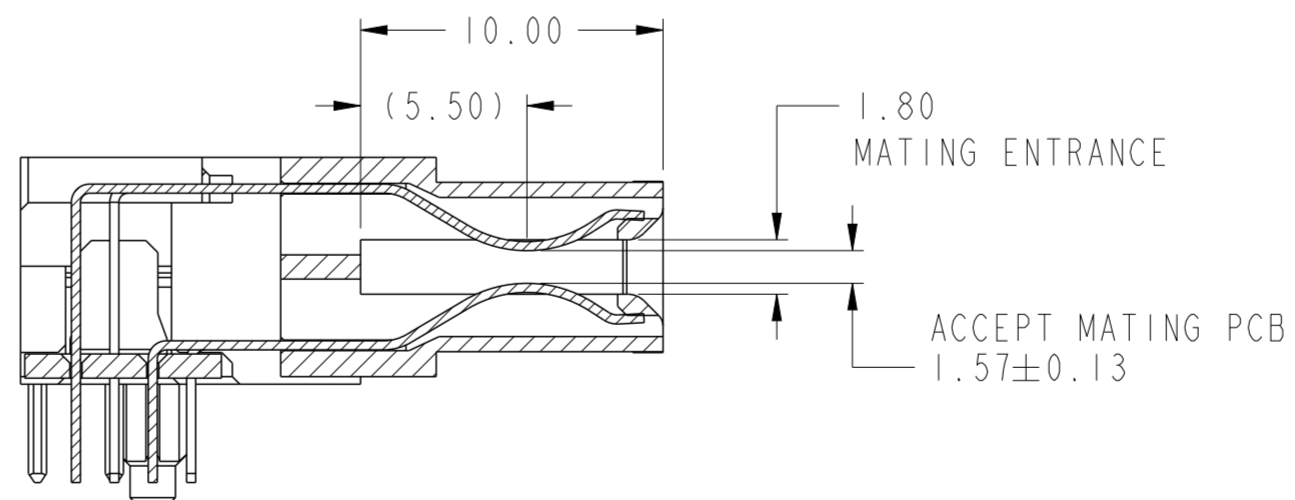


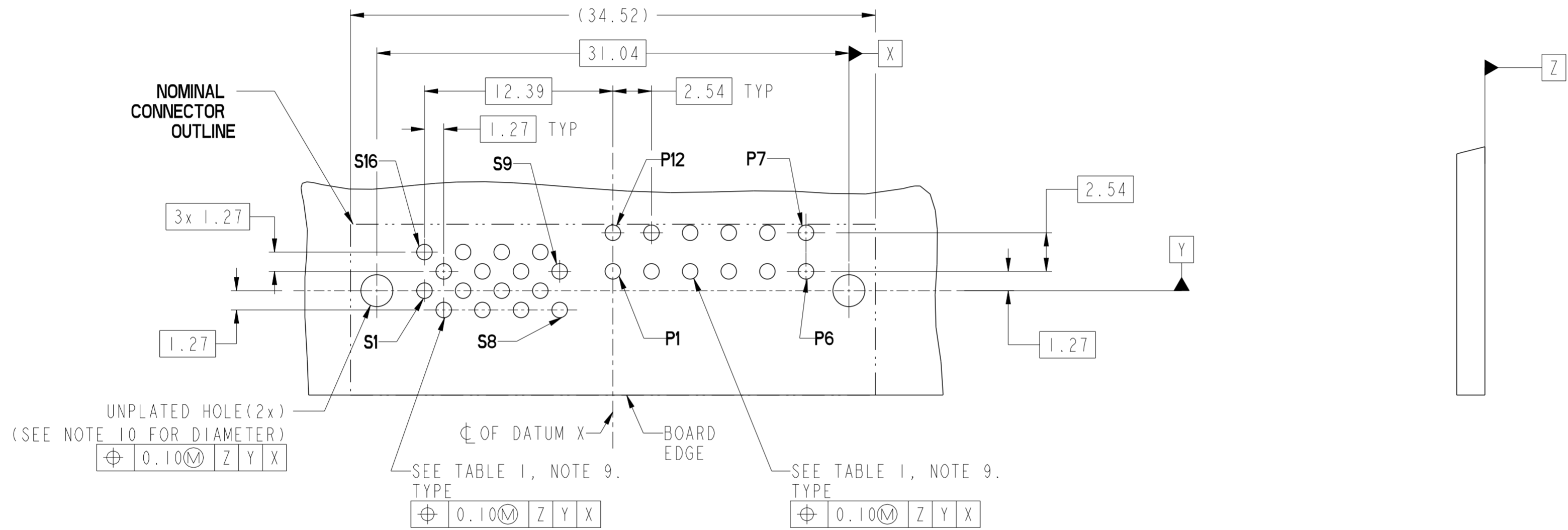
SECTION A-A  
SCALE 4:1



SECTION B-B  
SCALE 4:1

spec ref	-	dr	De-Ming Lu	2014/02/24	projection	MM	size	A2	scale	4:1		
tolerance std	ISO 406 ISO 1101	eng	Sunny2 Liu	2016/05/06			ecn no	ELX-DG-24036-1	rel level	Released		
TOLERANCES UNLESS OTHERWISE SPECIFIED		chr	Terris Liu	2016/05/20							product family	cat. no.
surface	linear	0.X	±0.5	0.XX	±0.25	0.XXX	±0.10	angular	0°	±2°	Product - Customer Drw	sheet 1 of 4

CONTACT TYPE	TOP LAYER DESCRIPTION	TABLE 1 (HPCE / SOLDER TAILS) PLATED THROUGH-HOLE REQUIREMENTS				
		DRILLED HOLE DIAMETER	COPPER THICKNESS	TIN-LEAD THICKNESS	TIN THICKNESS	FINISHED HOLE DIAMETER
POWER & SIGNAL	TIN-LEAD	1.10-1.16 (1.15 DRILL)	0.025 - 0.050	0.005 - 0.015	--	0.94 - 1.10
	IMMERSION TIN	1.10-1.16 (1.15 DRILL)	0.025 - 0.050	--	0.9 - 1.5um	0.94 - 1.10
	COPPER (SEE NOTE 8)	1.10-1.16 (1.15 DRILL)	0.025 - 0.050	--	--	0.94 - 1.10



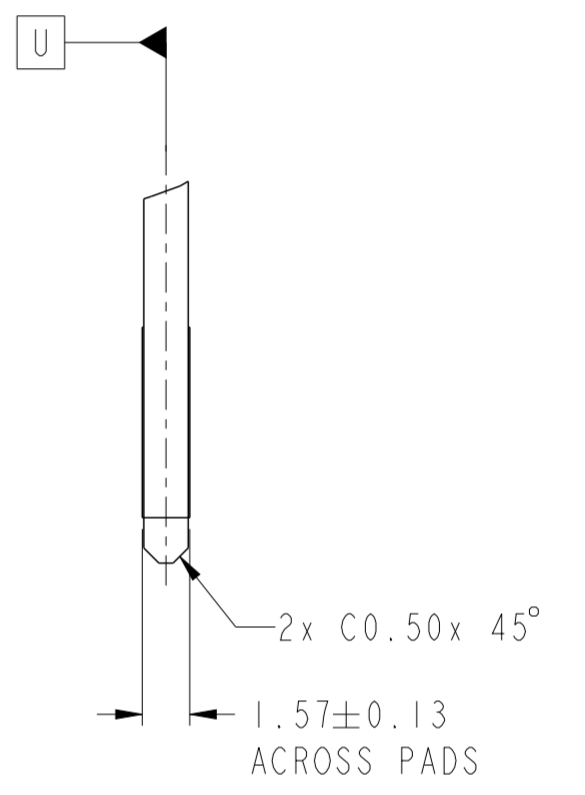
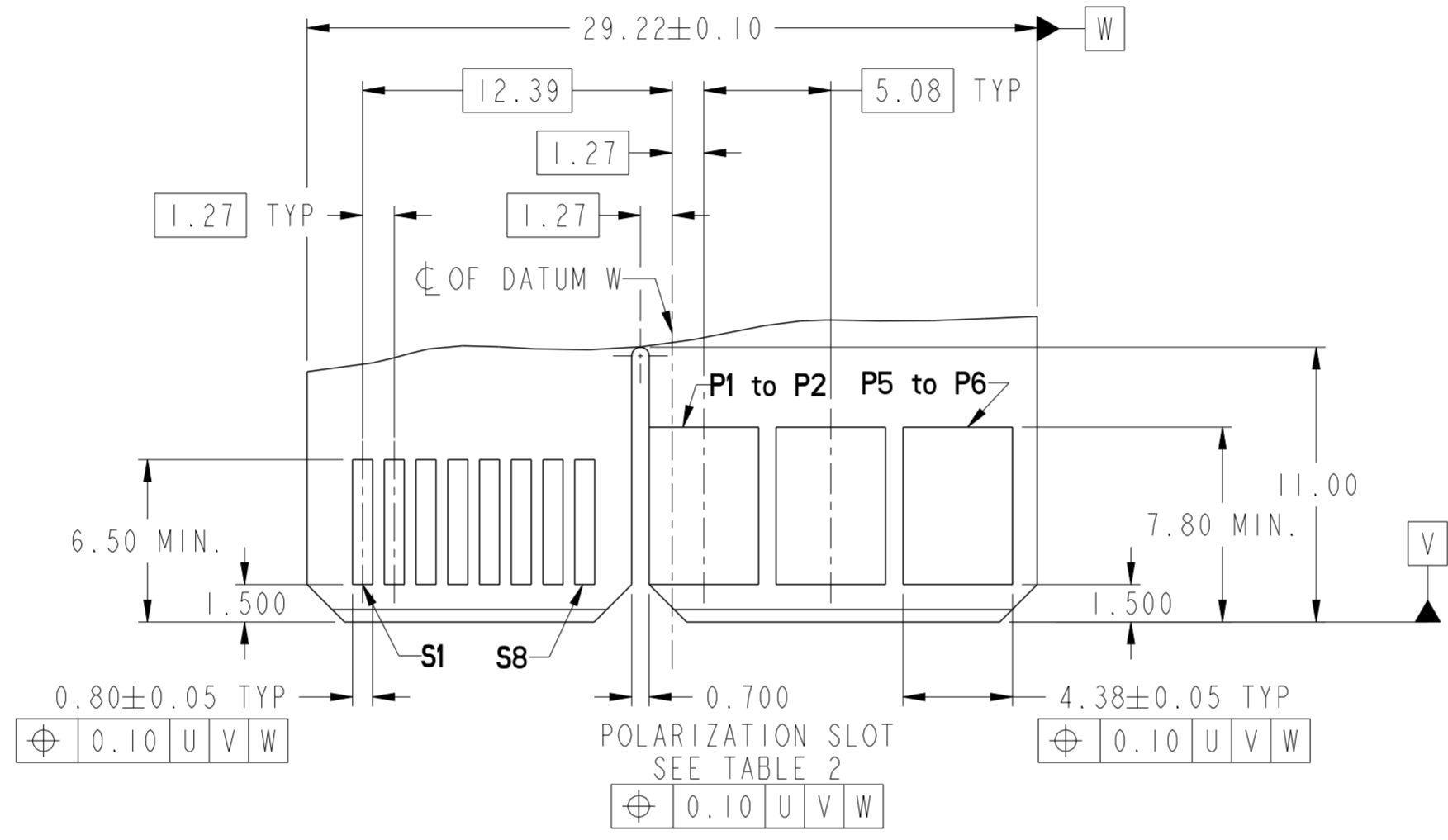
## RECOMMENDED PCB LAYOUT

spec ref	-	dr	De-Ming Lu	2014/02/24	projection	MM	size	A2	scale	4:1
tolerance std	ISO 406 ISO 1101	eng	Sunny2 Liu	2016/05/06			ecn no	ELX-DG-24036-1	rel level	Released
TOLERANCES UNLESS OTHERWISE SPECIFIED		chr	Terris Liu	2016/05/20						
		appr	Pai-Ming Zheng	2016/05/24						
surface	linear	0.X	±0.5	Amphenol FCI		product family	R/A RECT 16S+12P		cat. no.	10129174
		0.XX	±0.25	HIGH POWER CARD EDGE						
		0.XXX	±0.10							
	angular	0°	±2°							
Product - Customer Drw							sheet 2 of 4			

PDS: Rev :B

STATUS:Released

Printed: May 24, 2016



## RECOMMENDED MATING BOARD FOOT PRINT

Amphenol  
FCi

© 2016 AFci

spec ref	-	dr	De-Ming Lu	2014/02/24	projection	MM	size	A2	scale	4:1		
tolerance std	ISO 406 ISO 1101	eng	Sunny2 Liu	2016/05/06			ecn no	ELX-DG-24036-1				
TOLERANCES UNLESS OTHERWISE SPECIFIED		chr	Terris Liu	2016/05/20			rel level	Released				
surface	ISO 1302	appr	Pai-Ming Zheng	2016/05/24			product family					
		linear	0.X	±0.5	Amphenol FCi		title	R/A RECT 16S+12P			rev	B
			0.XX	±0.25	HIGH POWER CARD EDGE		cat. no.	10129174			sheet 3 of 4	
		angular	0°	±2°	Product - Customer Drw							

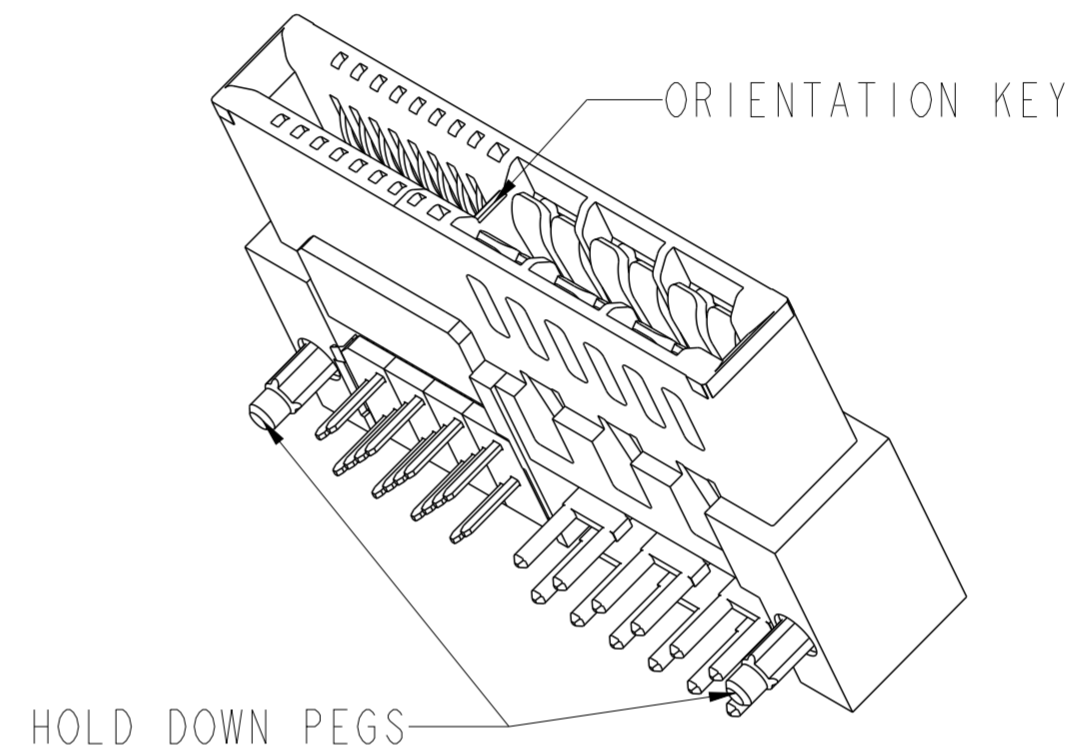
PDS: Rev :B

STATUS:Released

Printed: May 24, 2016

HPCE PART NUMBER (TABLE 2)

PART NUMBER	TAIL TYPE	HOLD-DOWN OPTION	ORIENTATION KEY	DIM "T" TAIL LENGTH
10129174-001LF	SOLDER TAIL	YES	YES	2.60±0.25
10129174-002LF			NO	
10129174-003LF		NO	YES	
10129174-004LF			NO	



NOTES:

1. CONNECTOR MATERIALS:

HOUSING: HIGH TEMPERATURE THERMAL PLASTIC, BLACK  
UL 94V-0 COMPLIANT  
CONTACTS: HIGH PERFORMANCE COPPER ALLOY.

2. CONTACT FINISH REF. GS-12-604 SECTION 5.2.

3. PRODUCT SPECIFICATION: GS-12-604.

4. APPLICATION SPECIFICATION: GS-20-128.

5. PRODUCT MARKING ON HOUSING IN AREA SHOWN MEETS AFCI SPECIFICATION: GS-24-007.

6. PACKAGING MEETS FCI SPECIFICATION GS-14-937.

7. HOUSING COMPONENT WILL WITHSTAND EXPOSURE TO 260°C PEAK TEMPERATURE FOR 60 SECONDS IN A CONVECTION, INFRA-RED, OR VAPOR PHASE REFLOW OVEN.

8. COPPER PLATING THICKNESS IN CENTER OF VIA-HOLE CAN BE NO MORE THAN 0.003 LESS THAN OTHER AREAS.

9. ALL HOLE SIZES ARE FINISHED HOLE SIZES.

10. MOUNTING HOLES ARE UNPLATED  
Ø 2.18 +/- 0.03 FOR SOLDER TAILS

11. A SYMBOL  $\triangle B$  WILL BE NEXT TO ANY DIMENSION, VIEW, OR NOTE WHICH HAS BEEN MODIFIED WITH THE CURRENT DRAWING REVISION.

spec ref	-	dr	De-Ming Lu	2014/02/24	projection	MM	size	A2	scale	4:1
tolerance std	ISO 406 ISO 1101	eng	Sunny2 Liu	2016/05/06			ecn no	ELX-DG-24036-1	rel level	Released
TOLERANCES UNLESS OTHERWISE SPECIFIED		chr	Terris Liu	2016/05/20						
surface	linear	0.X	±0.5		R/A RECT 16S+12P		dwg no 10129174	rev B	Product - Customer Drw	
		0.XX	±0.25		HIGH POWER CARD EDGE				cat. no.	sheet 4 of 4
	angular	0°	±2°							