

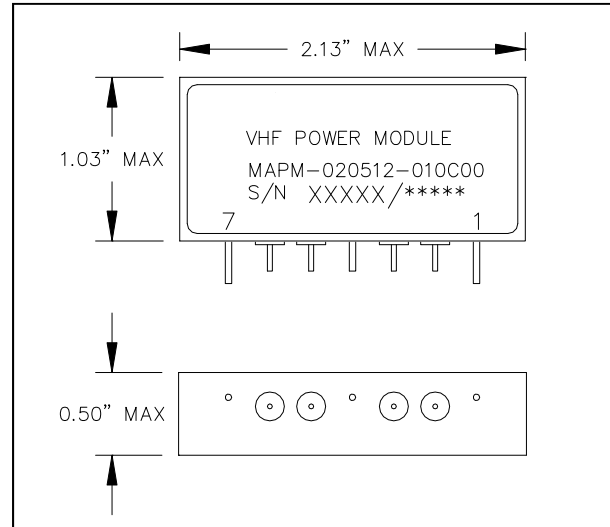
Features

- Broadband operation 20 - 512 MHz
- Output power: 7.0W min
- Power gain: 22dB min
- Built - in gain control
- AM Modulation capable
- Rugged construction for extreme environments
- Suitable for most commercial and industrial applications.

Absolute Maximum Ratings

| Parameter | Rating | Units |
|----------------------------|-------------|-------|
| Supply Voltage | 30 | V |
| Input Power | 20 | dBm |
| Output Power | 20 | W |
| Supply Current | 2.5 | A |
| Operating Case Temperature | -40 to +85 | °C |
| Storage Temperature | -50 to +100 | °C |

Product Image



Electrical Specifications: $T_c = 25 \pm 5 \text{ }^\circ\text{C}$

| Parameter | Test Conditions | Min | Typ | Max | Units |
|-------------------------------|--|-----|-----|-----------|-------|
| Frequency Band | $V_{SUPP} = 28 \text{ V}$, $P_{OUT} = 4 \text{ watt}$ | 20 | - | 512 | MHz |
| P_{1dB} | $V_{SUPP} = 28 \text{ V}$, $V_{ALC} = 10.0 \text{ V}$ | 7.0 | 10 | - | W |
| Power Gain | $V_{SUPP} = 28 \text{ V}$, $V_{ALC} = 10.0 \text{ V}$ | 22 | 25 | - | dB |
| Gain Control Range | $V_{SUPP} = 28 \text{ V}$, $V_{ALC} = 0.0 - 10.0 \text{ V}$ | - | 60 | - | dB |
| Gain Variation With Frequency | $V_{SUPP} = 28 \text{ V}$, $P_{OUT} = 4 \text{ W}$ | - | - | ± 3.0 | dB |
| Input VSWR | $V_{SUPP} = 28 \text{ V}$ | - | 3:1 | - | VSWR |
| Load Mismatch Tolerance | $V_{SUPP} = 28 \text{ V}$, $P_{OUT} = 4 \text{ W}$ | - | 3:1 | - | VSWR |
| Even Harmonics | $V_{SUPP} = 28 \text{ V}$, $P_{OUT} = 4 \text{ W}$ | - | - | -25 | dBc |
| Odd Harmonics | $V_{SUPP} = 28 \text{ V}$, $P_{OUT} = 4 \text{ W}$ | - | - | -15 | dBc |
| Spurious Output | $V_{SUPP} = 28 \text{ V}$, $P_{OUT} = 4 \text{ W}$ | - | - | -60 | dBc |
| IP3 | $V_{SUPP} = 28 \text{ V}$, $P_{OUT} = 4 \text{ W}$, $\Delta F = 100 \text{ kHz}$ | - | 50 | - | dBm |

ADVANCED: Data Sheets contain information regarding a product M/A-COM is considering for development. Performance is based on target specifications, simulated results, and/or prototype measurements. Commitment to develop is not guaranteed.

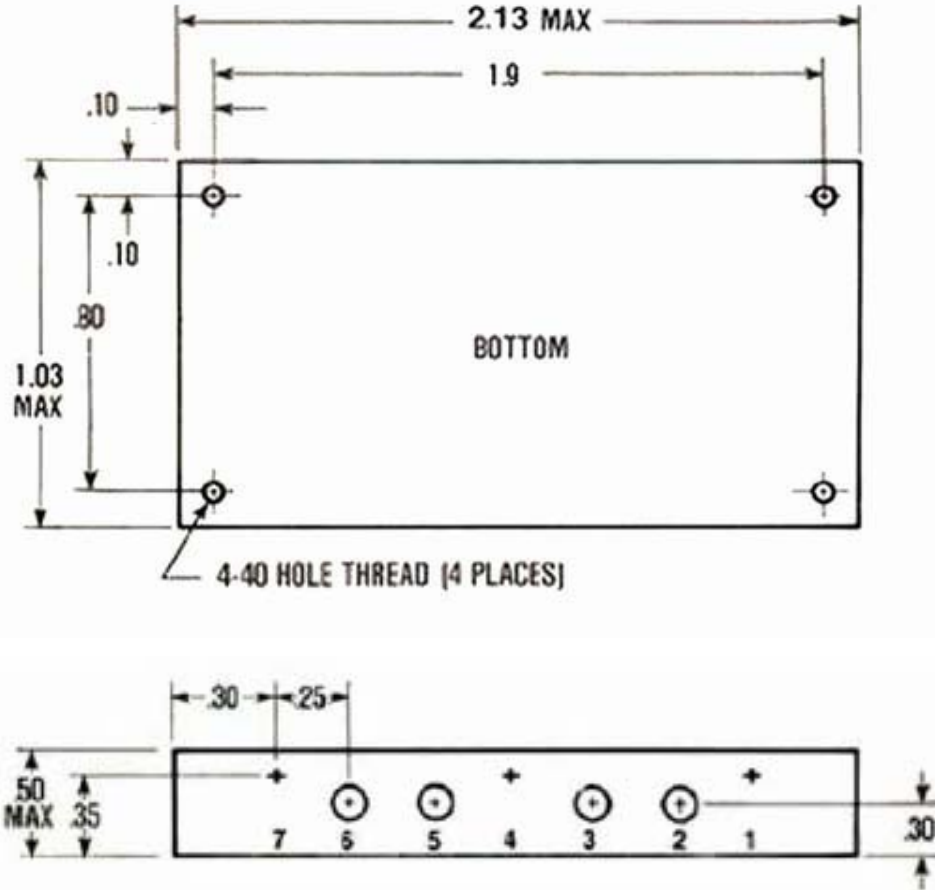
PRELIMINARY: Data Sheets contain information regarding a product M/A-COM has under development. Performance is based on engineering tests. Specifications are typical. Mechanical outline has been fixed. Engineering samples and/or test data may be available. Commitment to produce in volume is not guaranteed.

- **North America** Tel: 800.366.2266 / Fax: 978.366.2266
- **Europe** Tel: 44.1908.574.200 / Fax: 44.1908.574.300
- **Asia/Pacific** Tel: 81.44.844.8296 / Fax: 81.44.844.8298

Visit www.macom.com for additional data sheets and product information.

M/A-COM Inc. and its affiliates reserve the right to make changes to the product(s) or information contained herein without notice.

Outline Drawing



Nickel Plated Aluminum Housing

| PIN FUNCTION | | | |
|--------------|--------------|--------|-----------|
| PIN(S) | Function | PIN(S) | Function |
| 1, 4, 7 | Ground | 5 | Vdc Input |
| 2 | RF Input | 6 | RF Output |
| 3 | Gain Control | | |