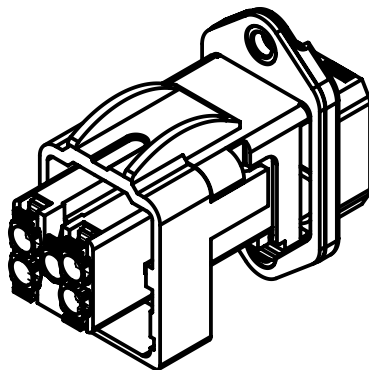


1 related to male insert

2 min. 23 using Han PushPull housings with SW19
min. 27 using Han PushPull housings with SW24

cross section: 0,5mm²-2,5mm²



| | | | | | | | |
|---|--|---|-----------------------|----------------------|---------------------------|--|--------------------|
| | All Dimensions in mm Original Size DIN A4 | | Scale 1:1 | Free size tol. | | Ref. Sub. TB 09352320313 500000062511 2013-06-12 | |
| | | All rights reserved Department EC PD - DE | | Created by STORCK | Inspected by ELLERMANN | Standardisation HOFFMANN | Date 2013-08-21 |
| HARTING Electronics GmbH D-32339 Espelkamp | | Title Han PP V14 Power PFT metal QL AWG20-14 | | | | Doc-Key / ECM-Nr. 100182369/UGD/002/D 500000065340 | |
| | | Type TB | Number 09352320313 | | | Rev. D | Page 1/1 |