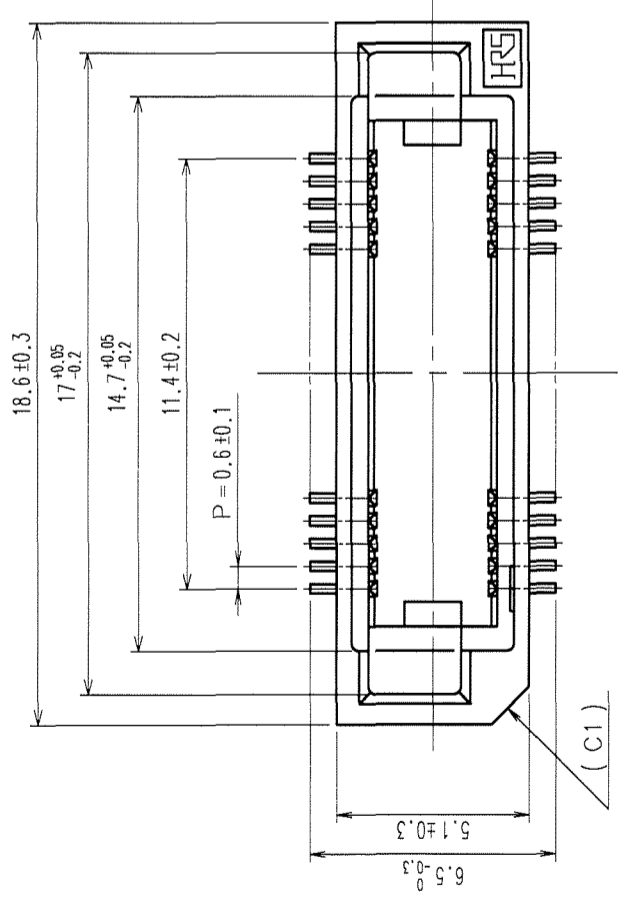
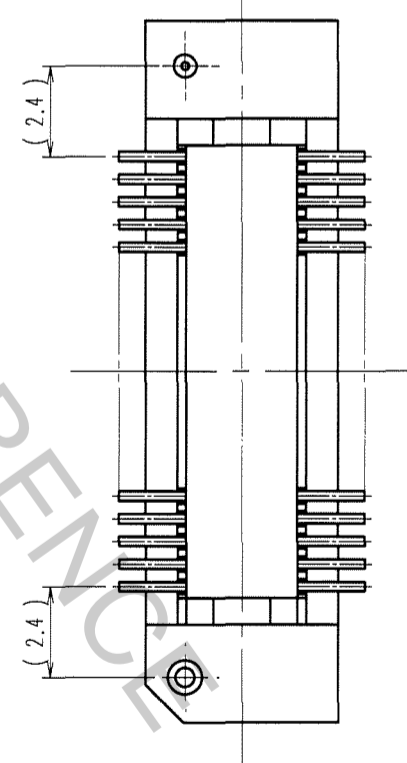
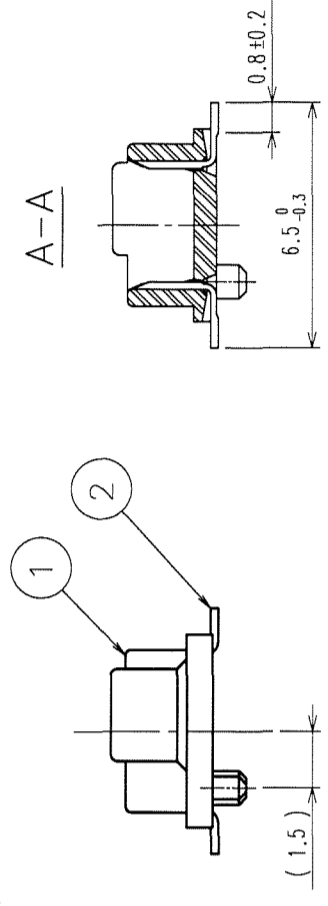
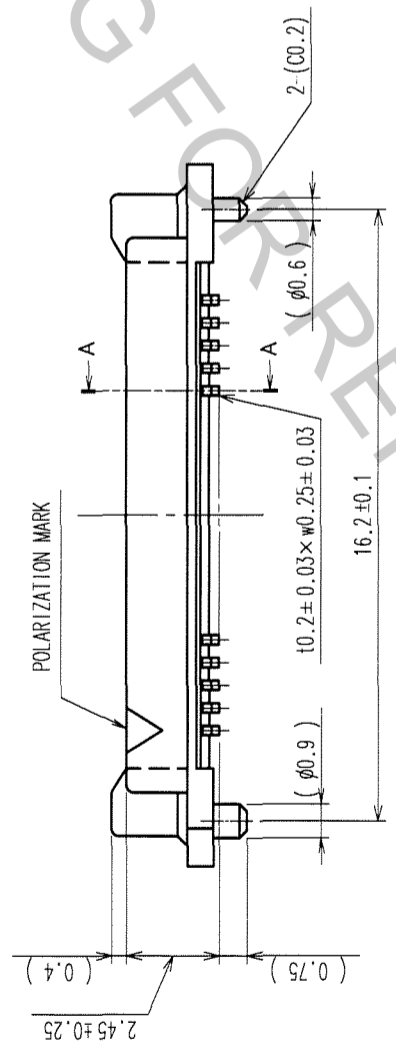
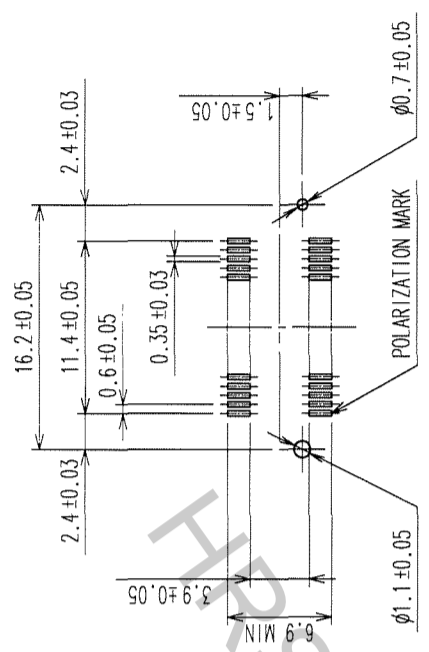


COUNT	DESCRIPTION OF REVISIONS	BY	CHKD	DATE	COUNT	DESCRIPTION OF REVISIONS	BY	CHKD	DATE



RECOMMENDED LAND PATTERN DIMENSION OF PCB (MOUNTING SIDE) (2:1)



- NOTE 1. LEAD CO-PLANARITY SHALL BE 0.1mm MAX.  
 2. FOR MODIFICATION, ETC., PREVENTIVE HOLE FOR SINK MARK MAY BE ADDED ACCORDING TO CIRCUMSTANCES.  
 3. THE DIMENSIONS IN PARENTHESES ARE FOR REFERENCE.

1	PPS	LIGHT BROWN (UL94V-0)	2	PHOSPHOR BRONZE	CONTACT AREA: GOLD 0.1μm min. LEAD AREA: GOLD FLASH UNDER PLATING: NICKEL 0.5μm min.
NO.	MATERIAL	FINISH, REMARKS	NO.	MATERIAL	FINISH, REMARKS
CODE NO. (OLD) CL		DRAWN T. YANAGISAWA '05.11.09		DESIGNED K. Nishimura '05.11.09	CHECKED K. Ogawa '05.11.09
		PART NO. FX8-40P-SV(71)		APPROVED H. Okawa '05.11.09	RELEASED
DRAWING NO. EDC3-150989-25					
SCALE 5:1					
UNITS MM					
		CODE NO. CL578-0009-8-71			

TO