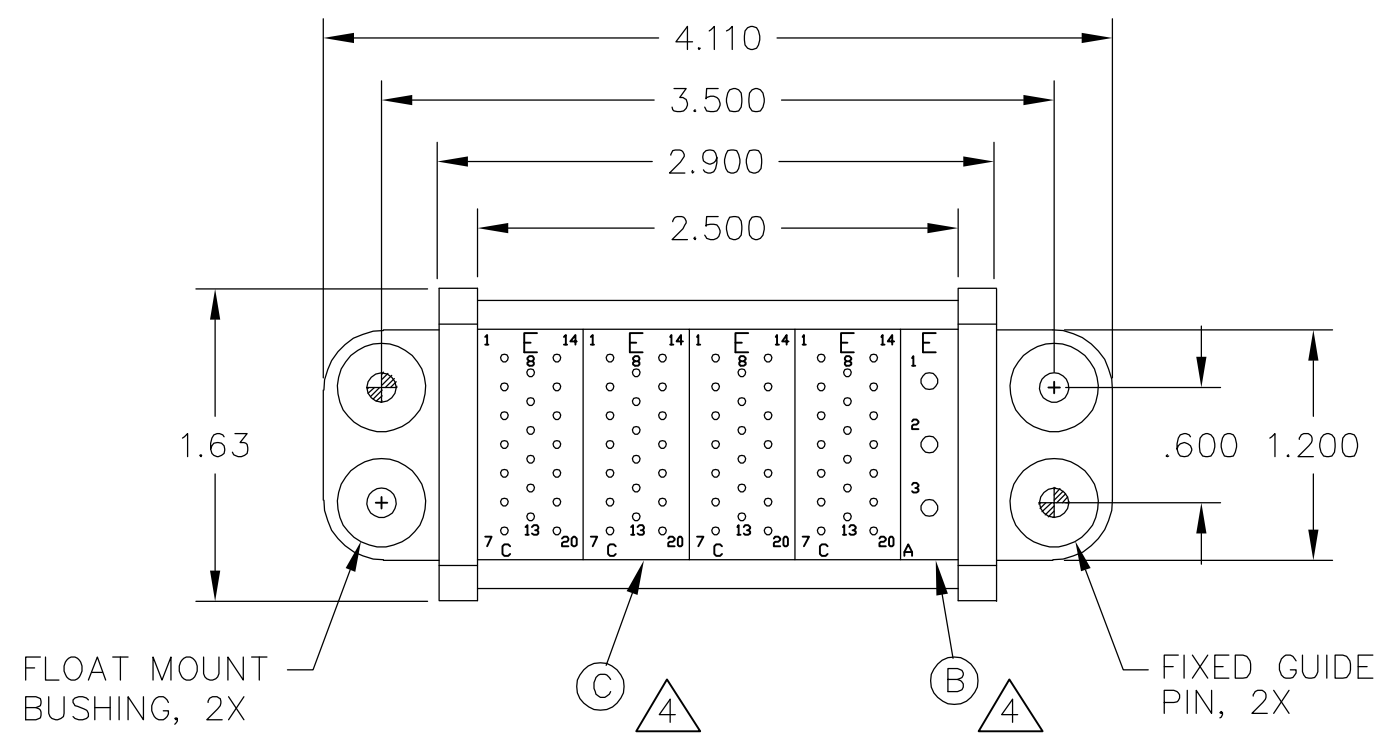


THIS DRAWING IS UNPUBLISHED. RELEASED FOR PUBLICATION
 © COPYRIGHT BY TYCO ELECTRONICS CORPORATION. ALL RIGHTS RESERVED.

LOC	DIST	REVISIONS					
GP	00	P	LTR	DESCRIPTION	DATE	DWN	APVD
			A	NEW RELEASE	12APR07	RG	DO



1. PART NUMBER CHANGES AND/OR DESIGN CHANGES AFFECTING ITEM INTERCHANGEABILITY REQUIRE PRIOR TYCO APPROVAL AND AUTHORIZATION BY REVISION TO THIS DRAWING.

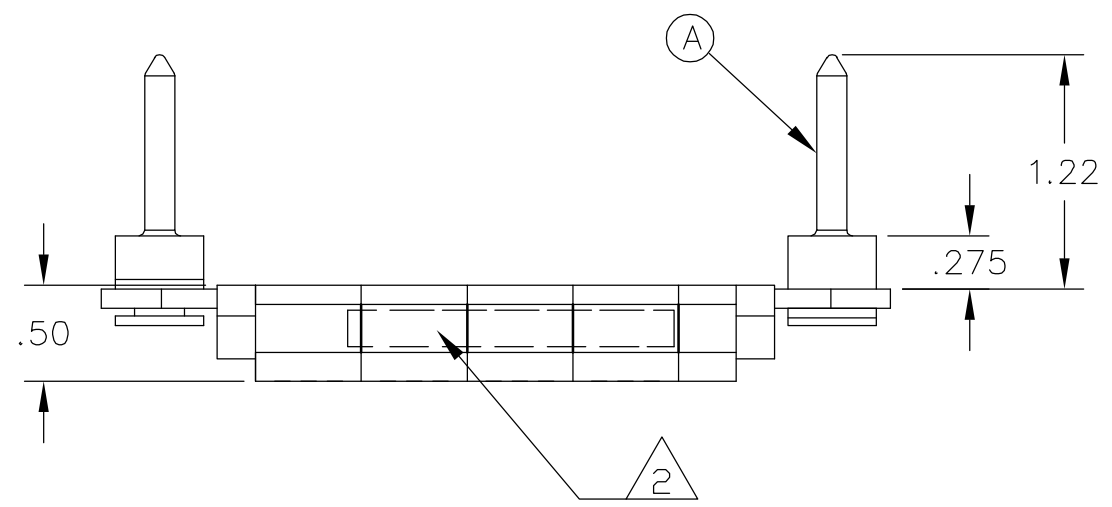
2. ITEMS PROVIDED TO THIS SPECIFICATION TO BE PERMANENTLY IDENTIFIED PER THE FOLLOWING IDENTIFIER:

TYCO PART NUMBER DATE CODE (e.g. 0212)
 XXXXXXXX-X XXXX

YEAR WEEK

3. MOUNTING FLANGE BUSHINGS ACCEPT 6/32 SCREW (.156 DIA. CLEARANCE HOLE, FLOAT MOUNT) OR 8/32 SCREW (.173 DIA. CLEARANCE HOLE, FLOAT MOUNT), USER SUPPLIED.

4. PIN CONTACTS REQUIRED TO COMPLETE THE ASSEMBLY WILL BE PURCHASED SEPARATELY.

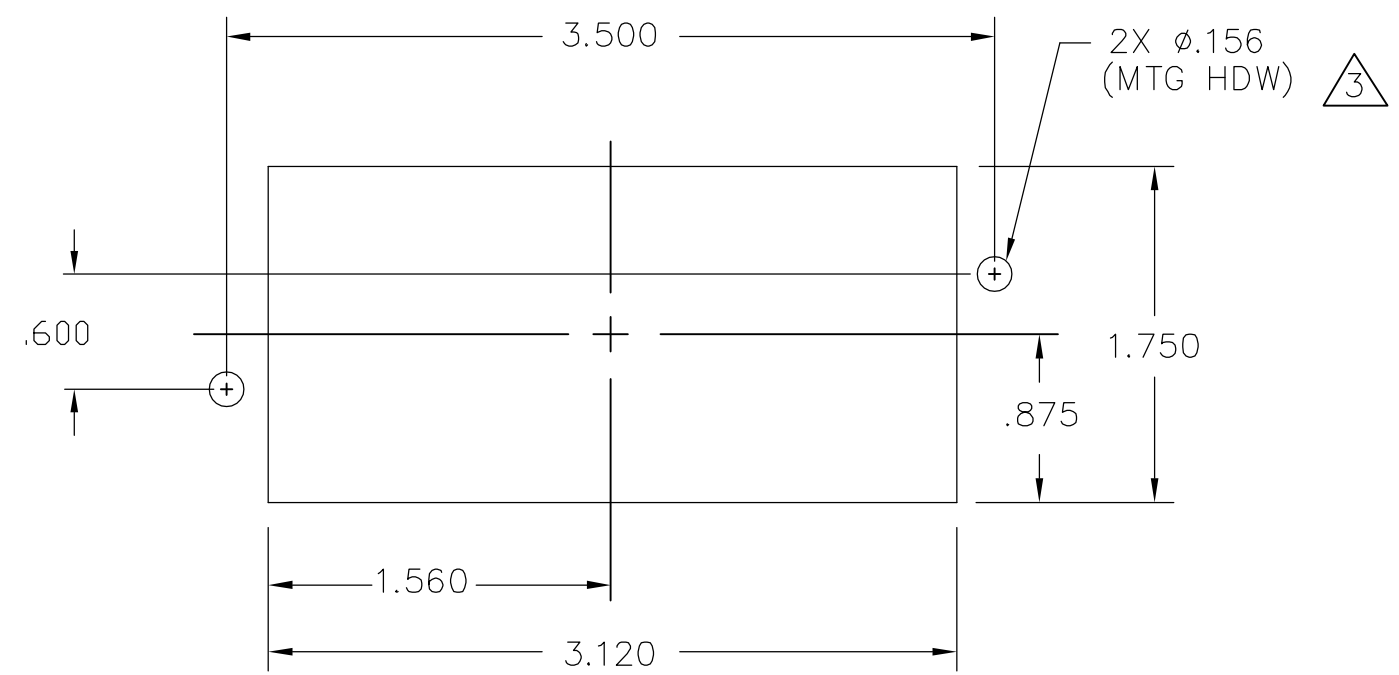


4	1648463-1	MODULE C	C
1	1648461-1	MODULE A	B
2	6648251-1	END CAP, GUIDE PIN, FLOAT	A
-1	PART NUMBER	DESCRIPTION	ITEM

THIS DRAWING IS A CONTROLLED DOCUMENT.		DWN R.GRZYBOWSKI 12APR2007	Tyco Electronics Corporation Harrisburg, PA 17105-3608	
DIMENSIONS: INCHES		CHK D.ORRIS 12APR07	NAME S.FLICKINGER 12APR07	
TOLERANCES UNLESS OTHERWISE SPECIFIED:		PRODUCT SPEC	PIN CONNECTOR DOMINO W/ PANEL CUT-OUT	
MATERIAL		APPLICATION SPEC	SIZE A3	CAGE CODE 00779
FINISH		WEIGHT	DRAWING NO C-6646117	RESTRICTED TO
		CUSTOMER DRAWING	SCALE 1:1	SHEET 1 OF 2
			REV A	

THIS DRAWING IS UNPUBLISHED. RELEASED FOR PUBLICATION
 © COPYRIGHT - BY TYCO ELECTRONICS CORPORATION. ALL RIGHTS RESERVED.

LOC	DIST	REVISIONS			
P	LTR	DESCRIPTION	DATE	DWN	APVD
GP	00	SEE SHEET 1	-	-	-



PIN PANEL MOUNT CUTOUT
 SCALE: NONE

THIS DRAWING IS A CONTROLLED DOCUMENT.		DWN R.GRZYBOWSKI 12APR2007	Tyco Electronics Corporation Harrisburg, PA 17105-3608		
DIMENSIONS: INCHES		CHK D.ORRIS 12APR07	NAME		
		APVD S.FLICKINGER 12APR07	PIN CONNECTOR DOMINO W/ PANEL CUT-OUT		
TOLERANCES UNLESS OTHERWISE SPECIFIED:		PRODUCT SPEC	SIZE	CAGE CODE	DRAWING NO
0 PLC	± -	---	A3	00779	C-6646117
1 PLC	± -	---	RESTRICTED TO		
2 PLC	± .02	---	-		
3 PLC	± .010	---	-		
4 PLC	± -	---	-		
ANGLES	± -	---	-		
MATERIAL	FINISH	WEIGHT	-		
-	-	-	-		
CUSTOMER DRAWING			SCALE	SHEET	REV
-			1:1	2 OF 2	A