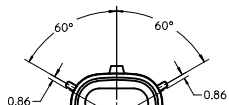


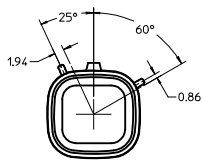
CUSTOMER SHROUD DESIGN DETAILS

NOTES:

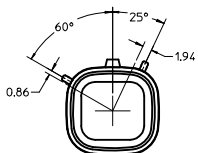
- REFER TO MOLEX SALES DRAWING SD-75900-001 FOR THE R/A HEADER ASSEMBLY PRODUCT DETAILS AND RECOMMENDED PCB LAYOUT.
- KEYING OPTIONS A-D AND SUGGESTED COLORS COMPLY TO THE POLARIZATION STANDARDS ESTABLISHED FOR MATING WITH A MX150 FEMALE CONNECTOR.
- INTERIOR SHROUD SURFACE MUST BE FREE OF DEFECTS AND PARTING LINES ALL AROUND TO ENSURE PROPER SEALING OF THE MATING MX150 FEMALE CONNECTOR.
- A FULL SHROUD ON THE MATING CONNECTOR IS REQUIRED TO INSURE THE HEADER SHROUD POLARIZATION FEATURES (OPTIONS A-D) WILL FUNCTION PROPERLY. THE FULL SHROUD ALSO PREVENTS SCOOP DAMAGE TO THE HEADER CONTACTS.
- PERMISSIBLE DRAFT ANGLE 0.25\014\048\015 MAXIMUM.
- RADII ON ALL CORNERS SHOWN SHARP OR ALL UNSPECIFIED RADII 0.25 EXCEPT AS NOTED.
- DIMENSIONS SHOWN ABOUT A CENTERLINE ARE SYMMETRICAL ABOUT THAT CENTERLINE WITHIN HALF THE SPECIFIED TOLERANCE.



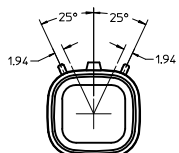
KEYING OPTION 'A'
SUGGESTED COLOR BLACK



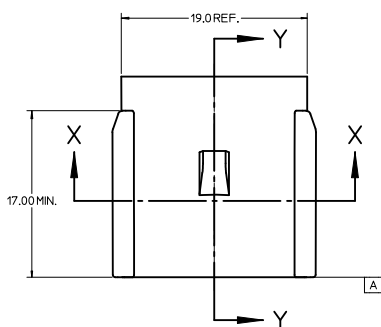
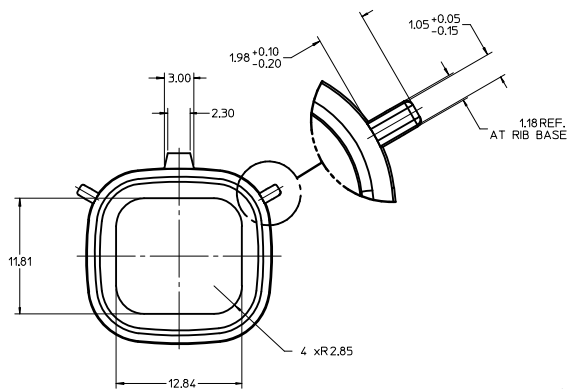
KEYING OPTION 'B'
SUGGESTED COLOR GREY



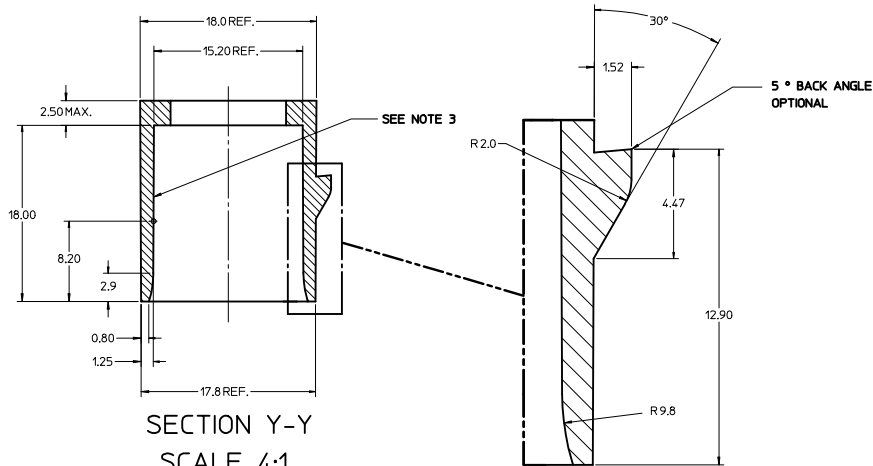
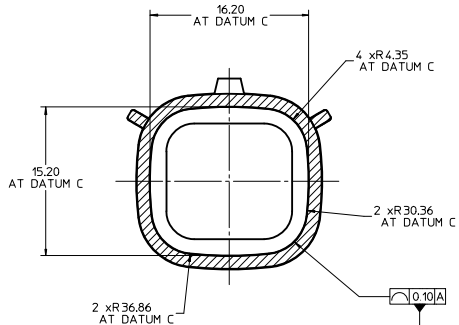
KEYING OPTION 'C'
SUGGESTED COLOR BROWN



KEYING OPTION 'D'
SUGGESTED COLOR GREEN

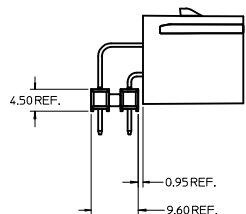
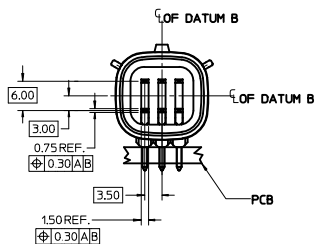
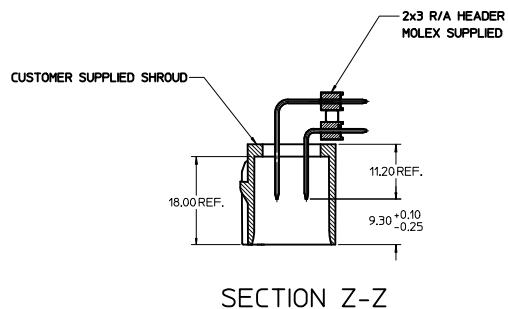
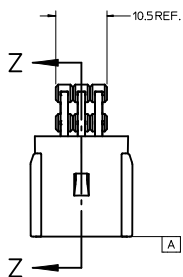


SECTION X-X
SCALE 4:1



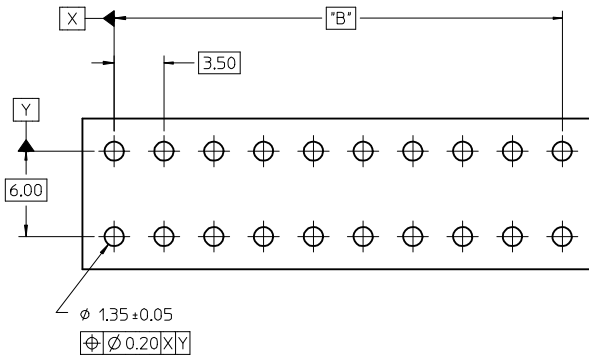
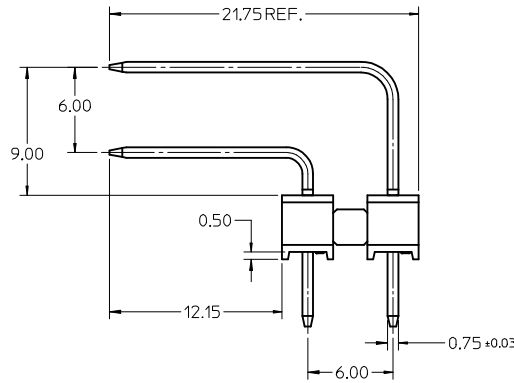
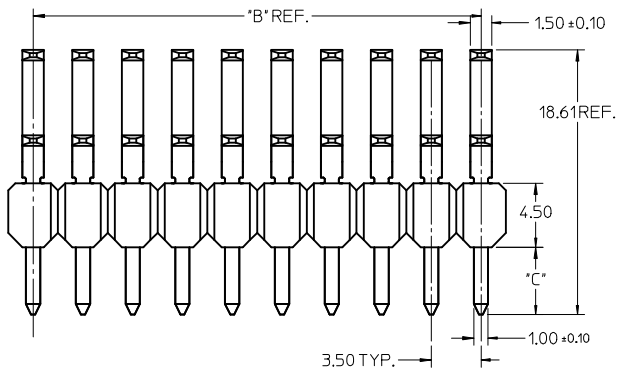
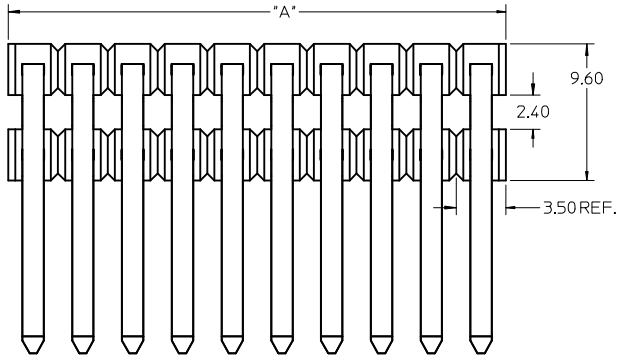
SECTION Y-Y
SCALE 4:1

CHANGE CLASS EC NO: UCP2012-0666 DRAWN BY: DROSCA CHKD: JCOMERCI APPR: JCOMERCI DATE: 2011/09/16	QUALITY SYMBOLS ▽=0 ▽=0	GENERAL TOLERANCES (UNLESS SPECIFIED)		DIMENSION STYLE MM ONLY	SCALE 2:1	DESIGN UNITS METRIC	THIRD ANGLE PROJECTION		
		4 PLACES ±--- ±--- 3 PLACES ±--- ±--- 2 PLACES ±0.10 ±--- 1 PLACE ±0.2 ±---	mm INCH	DRAWN BY DROSCA	DATE 04/26/07	APPLICATION SPEC 2X3 MX150 R/A HEADER SHROUD DETAILS			
		ANGULAR ±1/2°		CHECKED BY JCOMERCI	DATE 04/26/07	MOLEX INCORPORATED			
		DRAFT WHERE APPLICABLE MUST REMAIN WITHIN DIMENSIONS		MATERIAL NO. 75900-2030	DATE 04/26/07	DOCUMENT NO. AS-75900-203	SHEET NO. 1 OF 2	THIS DRAWING CONTAINS INFORMATION THAT IS PROPRIETARY TO MOLEX INCORPORATED AND SHOULD NOT BE USED WITHOUT WRITTEN PERMISSION	



NOTES:
1. ADHERENCE TO THE HEADER APPLICATION DETAILS IS IMPERATIVE TO ENSURE PROPOER SHROUD SEALING AND CONTACT ALIGNMENT WHEN MATED WITH A MX150 FEMALE CONNECTOR.

ENTER DESCRIPTION IEC NO: UCF2012-0866 DRAWN BY: DROSCA CHYD: APPR: JCOMERCI 2011/09/16	QUALITY SYMBOLS ▽=0 ▽=0	GENERAL TOLERANCES (UNLESS SPECIFIED)		DIMENSION STYLE MM ONLY	SCALE 2:1	DESIGN UNITS METRIC	THIRD ANGLE PROJECTION
		4 PLACES ± 0 mm \pm INCH 3 PLACES ± 0.10 mm \pm INCH 2 PLACES ± 0.25 mm \pm INCH 1 PLACE ± 0.50 mm \pm INCH	DRAWN BY DROSCA DATE 04/26/07	TITLE APPLICATION SPEC 2X3 MX150 R/A HEADER SHROUD DETAILS			
		ANGULAR $\pm 1/2^\circ$	CHECKED BY JCOMERCI DATE 04/26/07	MOLEX INCORPORATED			
		DRAFT WHERE APPLICABLE MUST REMAIN WITHIN DIMENSIONS	APPROVED BY JCOMERCI DATE 04/26/07	MATERIAL NO. 75900-2030	DOCUMENT NO. AS-75900-203	SHEET NO. 2 OF 2	



RECOMMENDED PCB LAYOUT

NOTES:

1. TERMINAL MAT'L: ALLOY C26000, CARTRIDGE BRASS
2. WAFER MAT'L: 30% GLASS FILLED LCP, 94V-0, COLOR BLACK.
3. TERMINAL PLATING:
 - OPTION 4 - 1.54µm MIN MATTE TIN OVERALL OVER 1.254µm NICKEL OVERALL
 - OPTION 1 - 2.54µm MIN MATTE TIN OVERALL OVER 1.254µm NICKEL OVERALL
 - OPTION 2 - 1.254µm NICKEL OVERALL 2.54µm MIN SELECT MATTE TIN PC TAIL AREA 0.05-0.254µm SELECT GOLD CONTACT AREA
 - OPTION 3 - 1.254µm NICKEL OVERALL 2.54µm MIN SELECT MATTE TIN PC TAIL AREA 0.754µm SELECT GOLD CONTACT AREA
4. HEADER ASSEMBLIES ARE TUBE PACKAGED PER PK-36518-351.

CKT SIZE	PLATING OPTION	MATERIAL NUMBER	*A* DIM	*B* DIM	*C* DIM	MATERIAL NUMBER			*A* DIM	*B* DIM	*C* DIM
						75900-1122	75900-1222	75900-1322			
2 x 2	1	75900-1121	7.0	3.50 REF		75900-1122	75900-1222	75900-1322	7.0	3.50 REF	
	2	75900-1221				75900-1422					
	3	75900-1321									
	4	75900-1421									
2 x 3	1	75900-1131	10.5	7.00		75900-1132	75900-1232	75900-1332	10.5	7.00	
	2	75900-1231				75900-1432					
	3	75900-1331									
	4	75900-1431									
2 x 4	1	75900-1141	14.0	10.50		75900-1142	75900-1242	75900-1342	14.0	10.50	
	2	75900-1241				75900-1442					
	3	75900-1341									
	4	75900-1441									
2 x 5	1	75900-1151	17.5	14.00	3.05	75900-1152	75900-1252	75900-1352	17.5	14.00	4.75
	2	75900-1251				75900-1452					
	3	75900-1351									
	4	75900-1451									
2 x 6	1	75900-1161	21.0	17.50		75900-1162	75900-1262	75900-1362	21.0	17.50	
	2	75900-1261				75900-1462					
	3	75900-1361									
	4	75900-1461									
2 x 8	1	75900-1181	28.0	24.50		75900-1182	75900-1282	75900-1382	28.0	24.50	
	2	75900-1281				75900-1482					
	3	75900-1381									
	4	75900-1481									
2 x 10	1	75900-1101	35.0	31.50		75900-1102	75900-1202	75900-1302	35.0	31.50	
	2	75900-1201				75900-1402					
	3	75900-1301									
	4	75900-1401									

PK SPEC UPDATED EC NO: 12016-0115 DRWN: BR02 CHKD: CHKD APPR: XPRASAD 2016/05/16 2016/06/03	QUALITY SYMBOLS	GENERAL TOLERANCES (UNLESS SPECIFIED)	DIMENSION STYLE		SCALE	DESIGN UNITS	THIRD ANGLE PROJECTION	
	▽=0	m/m INCH	MM ONLY		4:1	METRIC		
	▽=0	4 PLACES ± --- ± ---	DRAWN BY	DATE	TITLE			
	▽=0	3 PLACES ± --- ± ---	TMCCLELL	1/25/06	MX150 RIGHT ANGLE DUAL ROW UNSHROUDED HEADER ASSEMBLY			
	2 PLACES ± 0.13 ± ---	CHECKED BY	DATE	molex MATERIAL NO. SD-75900-001 DOCUMENT NO. SHEET NO. 1 OF 1				
	1 PLACE ± 0.25 ± ---	TMCCLELL	1/25/06					
	0 PLACE ± ±	APPROVED BY	DATE					
		BANAKI S	1/25/06					
		ANGULAR ±1/2°						
		DRAFT WHERE APPLICABLE MUST REMAIN WITHIN DIMENSIONS						
		SEE CHART						