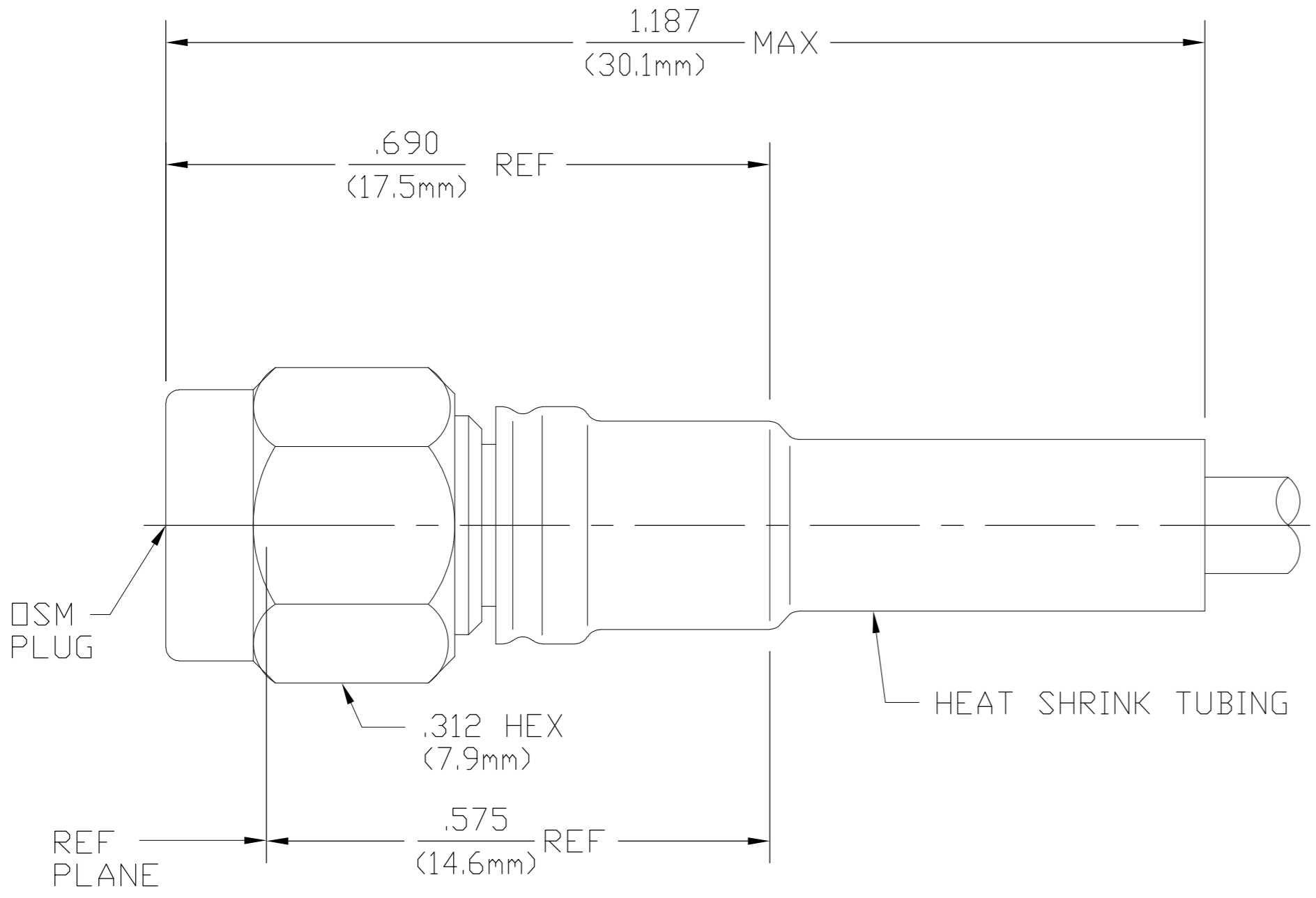


THIS DRAWING IS UNPUBLISHED. RELEASED FOR PUBLICATION
 © COPYRIGHT - By - ALL RIGHTS RESERVED.

CABLE ENTRY DIAMETER MINIMUM	
CONTACT	.021
HOUSING	.066
FERRULE	.126

LOC	DIST	REVISIONS			
P	LTR	DESCRIPTION	DATE	DWN	APVD
		C2	REVISED PER ECO-11-005033	01APR11	RK HMR



- 1 BRASS
- 2 STAINLESS STEEL
- 3 BERYLLIUM COPPER
- 4 PTFE
- 5 SILICONE RUBBER
- 6 GOLD PLATE
- 7 NICKEL PLATE
- 8 PASSIVATE
- 9 POLYOLEFIN COMPOUND

ELECTRICAL	MECHANICAL	ENVIRONMENTAL
Nominal Impedance (Ohms) 50	Interface Dimensions MIL-STD-348A, Fig. 310.1	TEMPERATURE RATING -65°C TO +165°C
Frequency Range (GHz) DC to 12.4	Recommended Mating Torque 7 TO 10 INCH/LBS	DURABILITY:500 CYCLES
Volt Rating (VRMS MAX) @ Sea Level 250	Mating Characteristics:	.XXX = in (XX.X) = mm
VSWR 1.15 + .02F(GHZ)	Insertion (MAX Lbs) N/A	
Insertion Loss (dB MAX) .06 √ F(GHZ)@6GHZ	Withdrawal (MIN Oz) N/A	
RF Leakage (dB MIN) -60@ 6 to 8 GHZ	Force to Engage and Disengage (In/Lbs MAX) 2.0	
Corona, 70,000 Ft (VRMS MIN) 190	Center Contact Captivation	
Dielectric Withstanding Voltage (VRMS MIN) @ Sea Level 750	Axial (Lbs) N/A	
Contact Resistance (Milliohms MAX)	Radial (In/Oz) N/A	
Center Contact 5.0	Cable Retention	
Outer Contact 3.0	Axial Force (Lbs) 20	
Cable to Housing 0.5	Torque (In/Oz) N/A	
RF High Potential @ Sea Level (VRMS MIN @ 5 MHz) 500	Weight (Grams) 2.7	
I.R.(Megohms MIN) 5000		

---	1 6	1 7	4	1 6	1 6	3	5	1051643-3
9	2 6	2 6	4	1 6	1 6	3	5	1051643-1
SHRINK TUBING	HOUSING	COUPLING NUT	DIELE-CTRIC	CENTER CONTACT	FERRULE	RETAINING RING	GASKET	PART NO.

THIS DRAWING IS A CONTROLLED DOCUMENT.

DWN DRF	10/12/76	 TE Connectivity OSM STRAIGHT CABLE PLUG SOLDER ATTACHMENT
CHK KWW	2/17/77	
APVD BWC	2/18/77	
PRODUCT SPEC	108-112002	
APPLICATION SPEC	408-4756	SIZE A2
MATERIAL -	FINISH -	CAGE CODE 00779
CUSTOMER DRAWING		DRAWING NO C=1051643
		RESTRICTED TO -
		SCALE 5:1
		SHEET 1 of 1
		REV C2