

SCALE: 4:1

PART NO.	ENGINEERING NO.	TERMINAL PATTERN					
		1	2	3	4	5	6
09-18-5061	A-1840-6-4	M	M	M	M	M	F
09-18-5062	A-1840-6-5	M	M	M	M	F	M
09-18-5064	A-1840-6-6	M	M	M	F	M	M
09-18-5069	A-1840-6-10	F	M	M	M	M	M

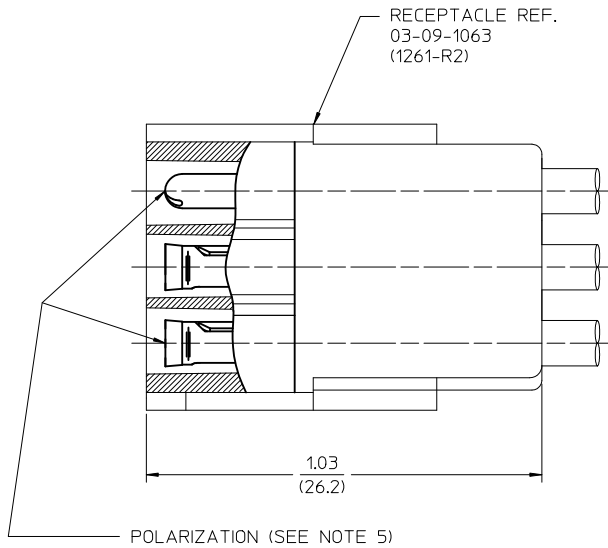
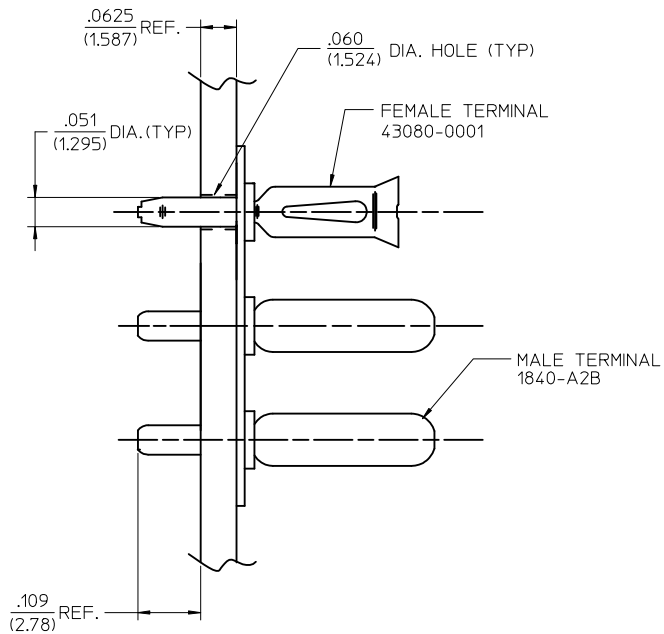
- MATERIAL:  
BASE AND RECEPTACLE: NYLON PA66 PER 68200-0037, UL94V-2. COLOR: NATURAL  
TERMINALS: MALE - C26000 ALLOY BRASS  
FEMALE - C51000 PHOS. BRONZE
- FINISH:  
999 - UNPLATED  
102 - (MALE TERMINALS ONLY)  
.000200/0.00508 MIN. TIN OVER  
.000100/0.00254 MIN. COPPER  
126 - (FEMALE TERMINALS ONLY)  
.000050/0.00127 MIN. TIN  
.000050/0.00127 MIN. NICKEL
- PRODUCT SPECIFICATION: N/A
- PACKAGING SPECIFICATION: N/A
- POLARIZATION ACCOMPLISHED THROUGH AN INTER-MIX OF MALE AND FEMALE TERMINALS. (MOLEX .093 TERMINALS)
- TERMINAL PATTERN CODE:  
M = MALE TERMINALS  
F = FEMALE TERMINALS  
B = NO TERMINALS

A-1840-6-4 SHOWN

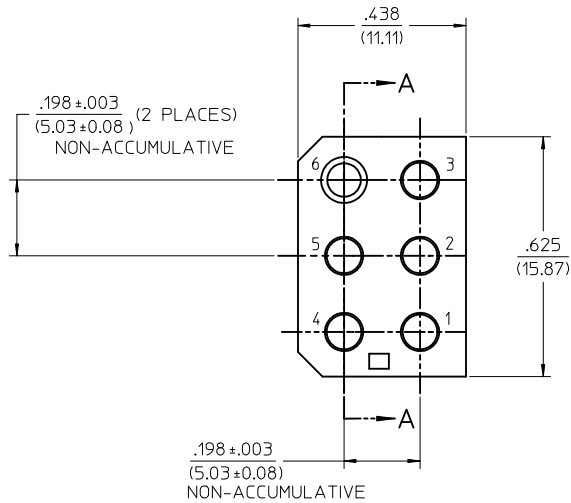
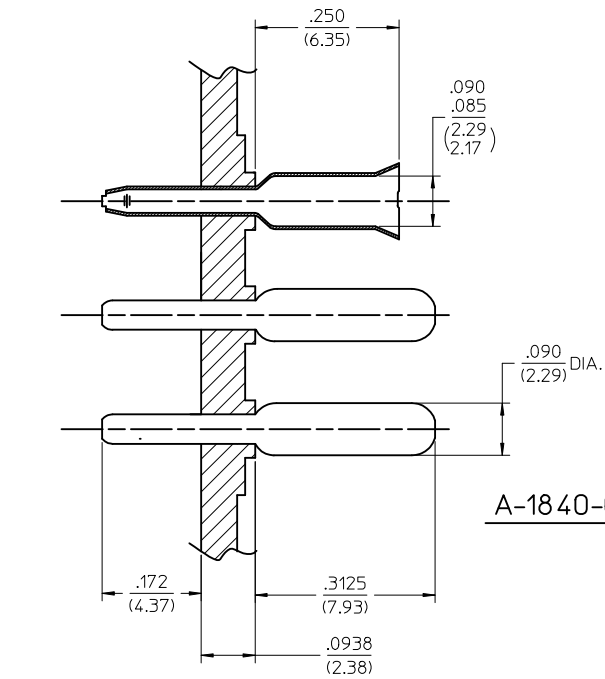
SECTION "A-A"

REL/REV PART NO'S EC NO: UCP2004-2212 DRAWN: ROLTS 2004/06/18 CHKD: FSMITH APPR: FSMITH REV: A	DESCRIPTION 2011/09/14	QUALITY SYMBOLS	GENERAL TOLERANCES (UNLESS SPECIFIED)	DIMENSION STYLE IN/MM	SCALE 6:1	DESIGN UNITS INCH	THIRD ANGLE PROJECTION	
		▽=0	4 PLACES ± --- ± ---	DRAWN BY EWC	DATE 1974/04/30	CONNECTOR PC BOARD WAFERCON 6 CIRCUIT		
		▽=0	3 PLACES ± --- ± .005	CHECKED BY	DATE			
		▽=1	2 PLACES ± 0.13 ± .010 1 PLACE ± 0.25 ± --- ANGULAR ± 1/2°	APPROVED BY FSMITH	DATE 2011/09/14	MOLEX MOLEX INCORPORATED		
DRAFT WHERE APPLICABLE MUST REMAIN WITHIN DIMENSIONS		SIZE	SEE CHART	MATERIAL NO.	DOCUMENT NO.	SHEET NO. 1 OF 1		

13 12 11 10 9 8 7 6 5 4 3 2 1



PART NO.	ENGINEERING NO.	TERMINAL PATTERN					
		1	2	3	4	5	6
09-18-5061	A-1840-6-4	M	M	M	M	M	F
09-18-5062	A-1840-6-5	M	M	M	M	F	M
09-18-5064	A-1840-6-6	M	M	M	F	M	M
09-18-5069	A-1840-6-10	F	M	M	M	M	M



NOTES:

- MATERIAL:  
BASE AND RECEPTACLE: NYLON PA66, UL94V-0, COLOR: NATURAL  
TERMINALS: MALE - BRASS ALLOY  
FEMALE - PHOSPHOR BRONZE ALLOY
- FINISH:  
MALE TERMINALS: .000200/0.00508 MIN. TIN OVER  
.000100/0.00254 MIN. COPPER  
FEMALE TERMINALS: .000050/0.00127 MIN. TIN OVER  
.000050/0.00127 MIN. NICKEL
- PRODUCT SPECIFICATION: N/A
- PACKAGING SPECIFICATION: N/A
- POLARIZATION ACCOMPLISHED THROUGH AN INTER-MIX OF MALE AND FEMALE TERMINALS. (MOLEX .093 TERMINALS)
- TERMINAL PATTERN CODE:  
A.) M = MALE TERMINALS  
B.) F = FEMALE TERMINALS  
C.) B = NO TERMINALS
- PARTS TO BE MOUNTED ON SUPPORTED EDGE OF P.C. BOARD.

SCALE: 4:1

A-1840-6-4 SHOWN

SECTION "A-A"

REL/REV PART NO'S EC NO: UCP2004-2212 DRW:NCSTEWART 2010/12/09 CHKD: APPR:FSMITH 2011/09/14	QUALITY SYMBOLS ▽=0 ▽=0 ▽=0	GENERAL TOLERANCES (UNLESS SPECIFIED)		DIMENSION STYLE IN/MM	SCALE 6:1	DESIGN UNITS INCH	THIRD ANGLE PROJECTION					
		4 PLACES ± --- ± ---	3 PLACES ± --- ± .005	2 PLACES ± 0.13 ± .010	1 PLACE ± 0.25 ± ---	ANGULAR ± 1/2°	DRAWN BY CSTEWART	DATE 2010/12/09	CHECKED BY DATE	APPROVED BY FSMITH	DATE 2011/09/14	TITLE CONNECTOR PC BOARD WAFERCON 6 CIRCUIT
DRAFT WHERE APPLICABLE MUST REMAIN WITHIN DIMENSIONS		SEE CHART		MATERIAL NO. SDA-1840-6-*		MATERIAL NO. SDA-1840-6-*						
THIS DRAWING CONTAINS INFORMATION THAT IS PROPRIETARY TO MOLEX INCORPORATED AND SHOULD NOT BE USED WITHOUT WRITTEN PERMISSION												