

#	POS REF.	N	DIM "A"	DIM "B"	DIM "C"
	98P	37	38.65	56.00	40.15
	164P	70	71.65	89.00	73.15

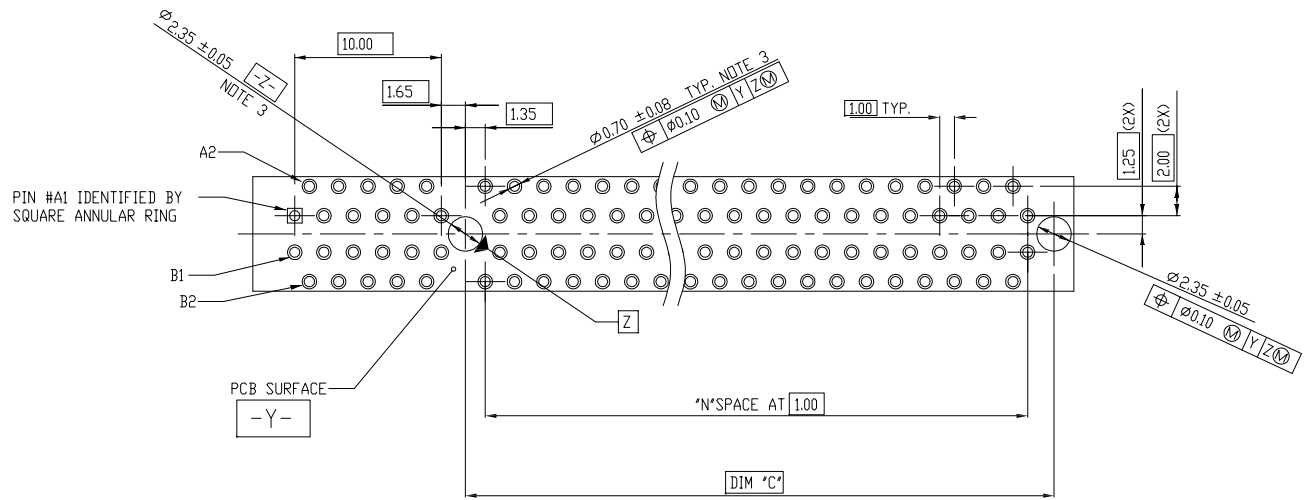
rev	ecn no	dr	date
A	T09-1004	JH	1/19/2009
B	T11-0003	JH	1/14/2011
C	ELX-06-2161-1	ST	05/27/15

www.fciconnect.com			surface <input checked="" type="checkbox"/>	tolerance std	projection	MM
			TOLERANCES UNLESS OTHERWISE SPECIFIED			↔
Dr	STONE LI	05/27/15	ANGULAR	0.X ± 0.30	size	Scale
Eng	STONE LI	05/27/15	LINEAR	0.XX ± 0.20	A4	N/A
Chr	/	/	0° ± 2°	0.XXX ± 0.10	ECN	/
Appr	PM ZHENG	05/27/15	Product family		Spec ref	
			title		dwg no	
			PCI EXPRESS EXTENDED HEIGHT THROUGH HOLE TYPE CONNECTOR GEN3		10086666	
			catalog no		CUSTOMER	
					sheet 1 of 4	
					Rev. C	

1 2 3 4

A

A



B

B

← 98P I/O PANEL DIRECTION  
RECOMMENDED FOOTPRINT (NOTE 6)

C

C

#	POS REF.	N	DIM "C"
	98P	37	40.15
	164P	70	73.15

D

D

www.fciconnect.com			surface <input checked="" type="checkbox"/>	tolerance std	projection	MM
			TOLERANCES UNLESS OTHERWISE SPECIFIED		←→	
Dr	STONE LI	05/27/15	ANGULAR	0.X ± 0.30	size	Scale
Eng	STONE LI	05/27/15	LINEAR	0.XX ± 0.20	A4	N/A
Chr	/	/	0° ± 2°	0.XXX ± 0.10	ECN	/
Appr	PM ZHENG	05/27/15	Product family		Spec ref	
FCI			title PCI EXPRESS EXTENDED HEIGHT THROUGH HOLE TYPE CONNECTOR GEN3		dwg no 10086666	
			catalog no		CUSTOMER sheet 2 of 4	
					Rev. C	



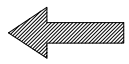
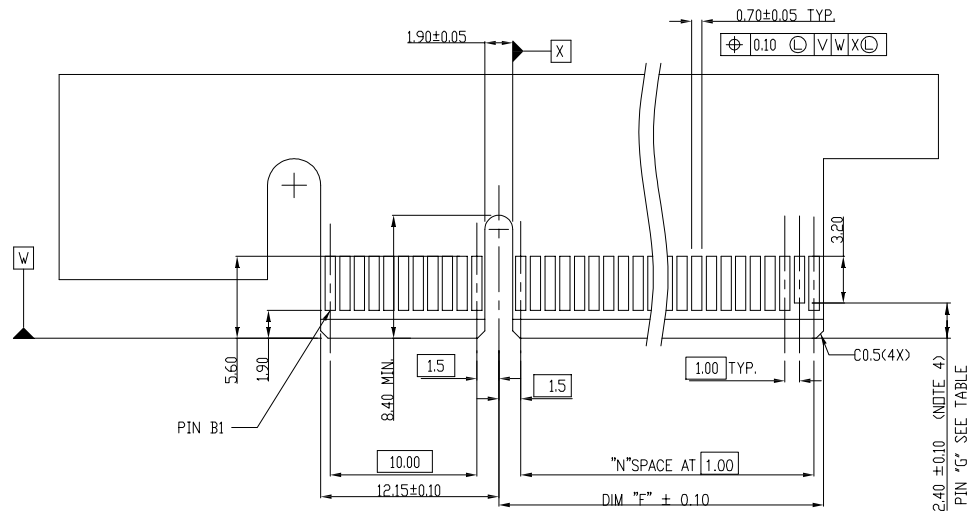
1 2 3 4

A

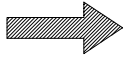
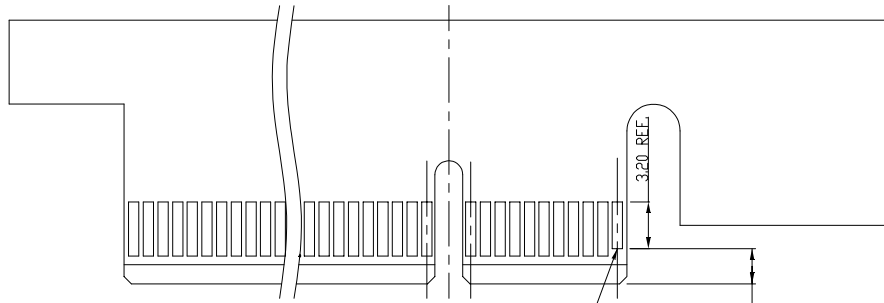
B

C

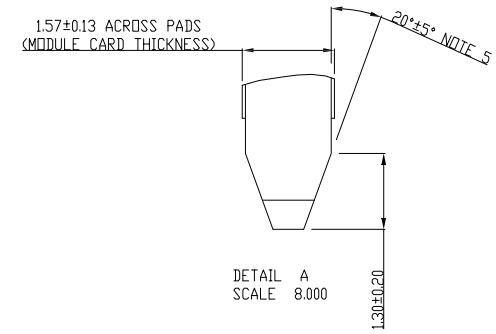
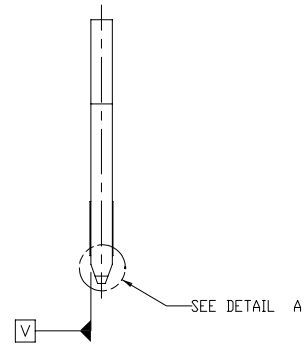
D



98P I/O PANEL DIRECTION  
PRIMARY (COMPONENT) SIDE



98P I/O PANEL DIRECTION  
SECONDARY (SOLDER) SIDE



ADD-IN CARD EDGE-FINGER DIMENSIONS

DIMENSIONS			
POSITION	N	DIM "F"	G
98	37	39.15	PIN B48
164	70	72.15	PIN B81

www.fciconnect.com			surface <input checked="" type="checkbox"/>	tolerance std	projection	MM
			TOLERANCES UNLESS OTHERWISE SPECIFIED			
Dr	STONE LI	05 27 15	ANGULAR	0.X ± 0.30	size	Scale
Eng	STONE LI	05/27/15	LINEAR	0.XX ± 0.20	A4	N/A
Chr	/	/	0° ± 2°	0.XXX ± 0.10	ECN	/
Appr	PM ZHENG	05/27/15	Product family		Spec ref	
			title		Rev.	
			PCI EXPRESS EXTENDED HEIGHT THROUGH HOLE TYPE CONNECTOR GEN3		C	
catalog no			dwg no		10086666	
			CUSTOMER		sheet 3 of 4	

A

B

C

D

NOTES:

1. MATERIAL:  
HOUSING: HIGH PERFORMANCE RESIN, GLASS FILLED UL94V-0 RATED.  
TERMINAL: COPPER ALLOY  
PLATING: 100u" MIN. TIN. ALL OVER 80u" NICKEL UNDERPLATE  
CONTACT AREA PLATING - SEE PRODUCT NUMBER CODE  
SOLDER TAIL: TIN. SEE PRODUCT NUMBER CODE
2. PRODUCT SPECIFICATION: GS-12-233
- ③ THE HORIZONTAL AXIS FOR THE HOLE PATTERN IS ESTABLISHED BY A LINE THROUGH THE CENTER OF THE TWO Ø2.35 HOLES.  
THE VERTICAL AXIS IS 90° TO THE HORIZONTAL AXIS, THROUGH THE CENTER OF DATUM Z.
- ④ NO TIE BAR PERMITTED FROM CARD EDGE TO LEADING EDGE OF PAD FOR PINS A1 AND PIN NUMBERS "F".
- ⑤ CHAMFER EDGES MUST BE FREE OF CUTTING BURRS.
- ⑥ PLEASE REFER TO PCI EXPRESS ASSOCIATION SPECIFICATION FOR MODULE CARD AND PCB LAYOUT TOLERANCE INFORMATION
7. RoHS COMPATIBLE PRODUCT SPECIFICATIONS  
a-PLATING:  
-“LF” MEANS THE PRODUCT IS LEAD-FREE, 2um MINIMUM MATTE TIN OVER 1.27um MINIMUM NICKEL UNDERPLATE.  
b-MANUFACTURING PROCESS COMPATIBILITY  
-THE HOUSING WILL WITHSTAND EXPOSURE TO 260°C±5°C SOLDER BATH TEMPERATURE FOR 5 SECONDS IN A REFLOW SOLDER APPLICATION WITH A 1.6mm MIN THICK CIRCUIT BOARD.

10086666 - X X X X X L F

HOUSING COLOR OPTIONS

1-BLACK

RESERVED

0

TERMINAL PLATING OPTIONS

0-80u" Ni UNDERPLATE  
30u" Au CONTACT AREA W/D LUBRICANT  
100u" TIN TAIL AREA -----COMPATIBLE RoHS

1-80u" Ni UNDERPLATE  
30u" Au CONTACT AREA WITH FOMBLIN 5% LUBRICANT  
100u" TIN TAIL AREA -----COMPATIBLE RoHS

LEAD FREE OPTION

PACKAGING OPTIONS  
T-TRAY PACKAGING

PDS. OPTIONS  
2-98  
3-164

TAIL LENGTH OPTIONS

	DIM "D"	PCB THICKNESS
1	3.10 <sup>+0.25</sup> <sub>-0.13</sub>	2.36 ± 0.10



Copyright FCI.

www.fciconnect.com			surface <input checked="" type="checkbox"/>	tolerance std	projection	MM
			TOLERANCES UNLESS OTHERWISE SPECIFIED			←→
Dr	STONE LI	05/27/15	ANGULAR	0.X ± 0.30	size	Scale
Eng	STONE LI	05/27/15	LINEAR	0.XX ± 0.20	A4	N/A
Chr	/	/	0° ±2°	0.XXX ± 0.10	ECN	/
Appr	PM ZHENG	05/27/15	Product family	3GIO	Spec ref	
		title		10086666		Rev.
		PCI EXPRESS EXTENDED HEIGHT THROUGH HOLE TYPE CONNECTOR GEN3				C
catalog no		CUSTOMER		sheet 4 of 4		