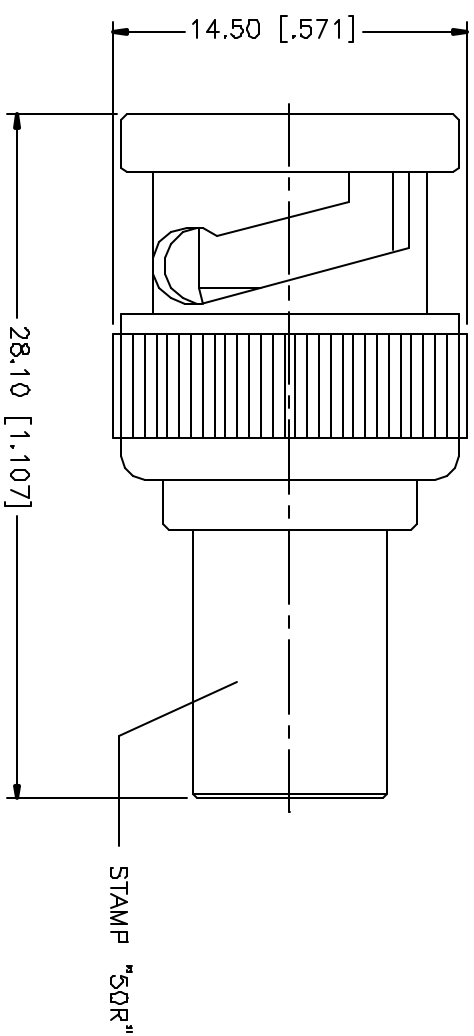


REV.	DATE	DESCRIPTION
A	05/23/05	UPDATE DRAWING FORMAT



QTY	FINISH	MATERIAL	DESCRIPTION
1	NICKEL	BRASS	INSULATOR BODY
1	NATURAL	DELTRIN	INSULATOR
1	GOLD	BRASS	CONTACT PIN

APPROVALS	DATE
DRAWN G.R.S.	05/23/05
CHECKED	
ISSUED	
SHEET 1 OF 1	

Amphenol Connex PART DESCRIPTION BNC TERMINATOR PLUG - 50ohm PART NO. 202103	DWG. NO. 202103.DWG REV. A SITE A SCALE NA
--	---

MASS FINISHES SHOWN IN DRAWING ARE USED UNLESS OTHERWISE SPECIFIED. ALL FINISHES ARE FOR DIMENSION REFERENCE ONLY. TOLERANCES FOR MILLING AND TURNING: D/S - Bmm ± 0.20Dmm R - 3Dmm ± 0.40Dmm 3D - 12Dmm ± 0.50Dmm MASS FINISHES SHOWN IN DRAWING ARE SHOWN FOR INFO ONLY. .020 - ± 0.007" .315 - ± 0.015" 1.180 - ± 4.724 = ± 0.020"	DID NOT SCALE DRAWING
---	-----------------------