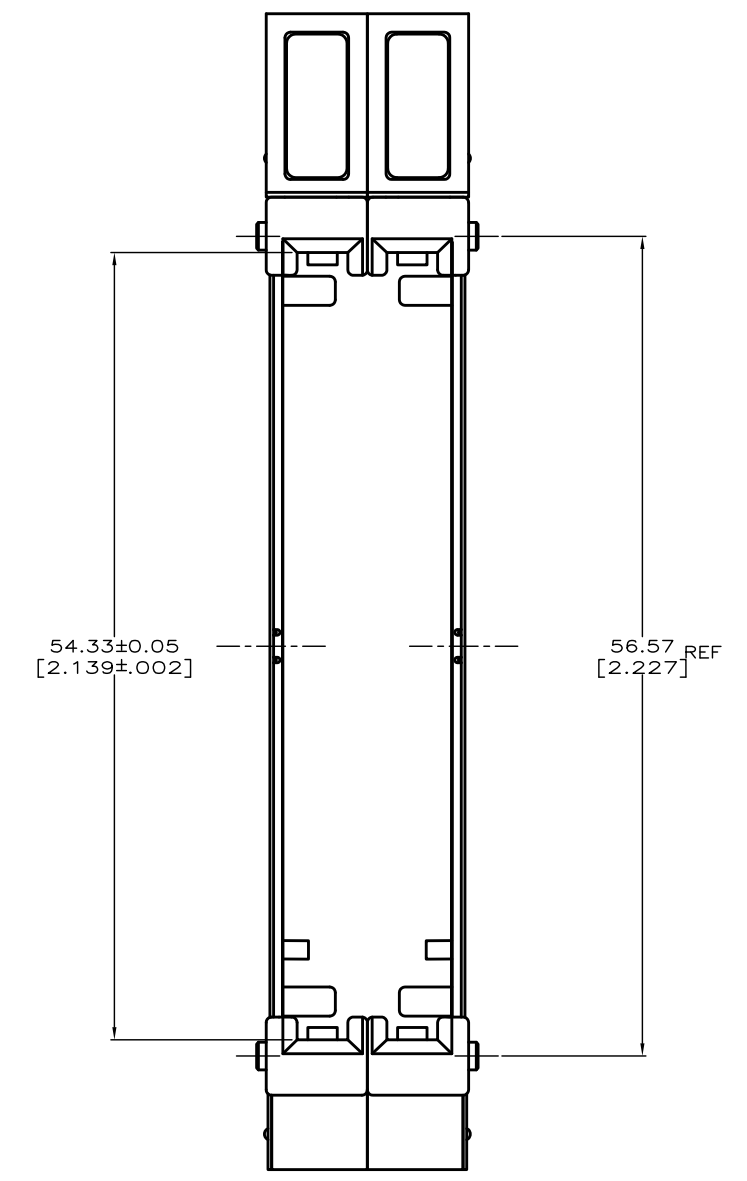
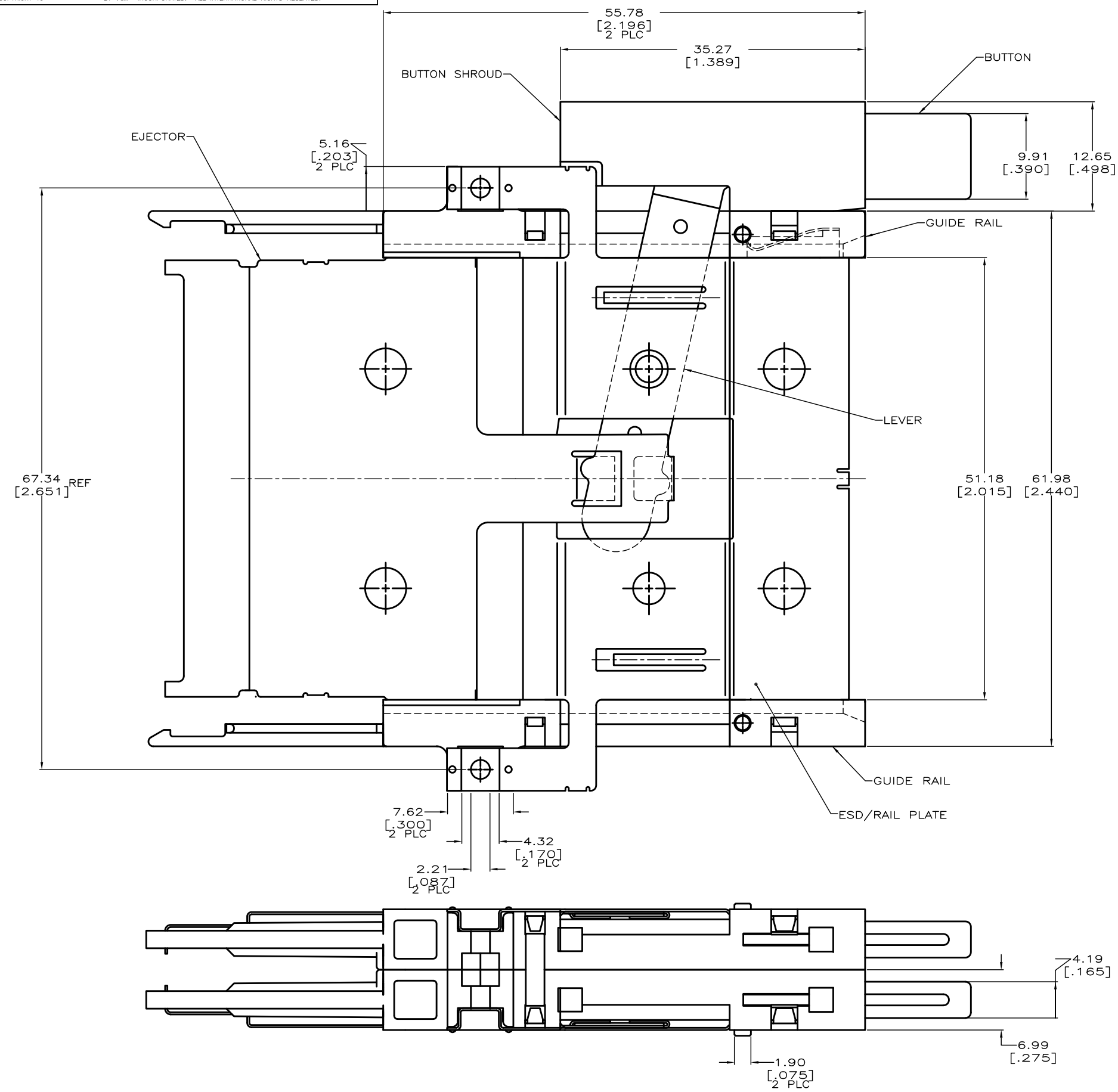


8 7 6 5 4 3 2 1  
 DRAWING MADE IN THIRD ANGLE PROJECTION  
 THIS DRAWING IS UNPUBLISHED. RELEASED FOR PUBLICATION  
 © COPYRIGHT 19 BY AMP INCORPORATED. ALL INTERNATIONAL RIGHTS RESERVED.

LOC		DIST		ZONE		LTR		REVISIONS		
AD	39							DESCRIPTION	DATE	APPD
								A1 REVISED (ECR-13-013920)	9/6/2013	CW



146036-1  
 PART NO

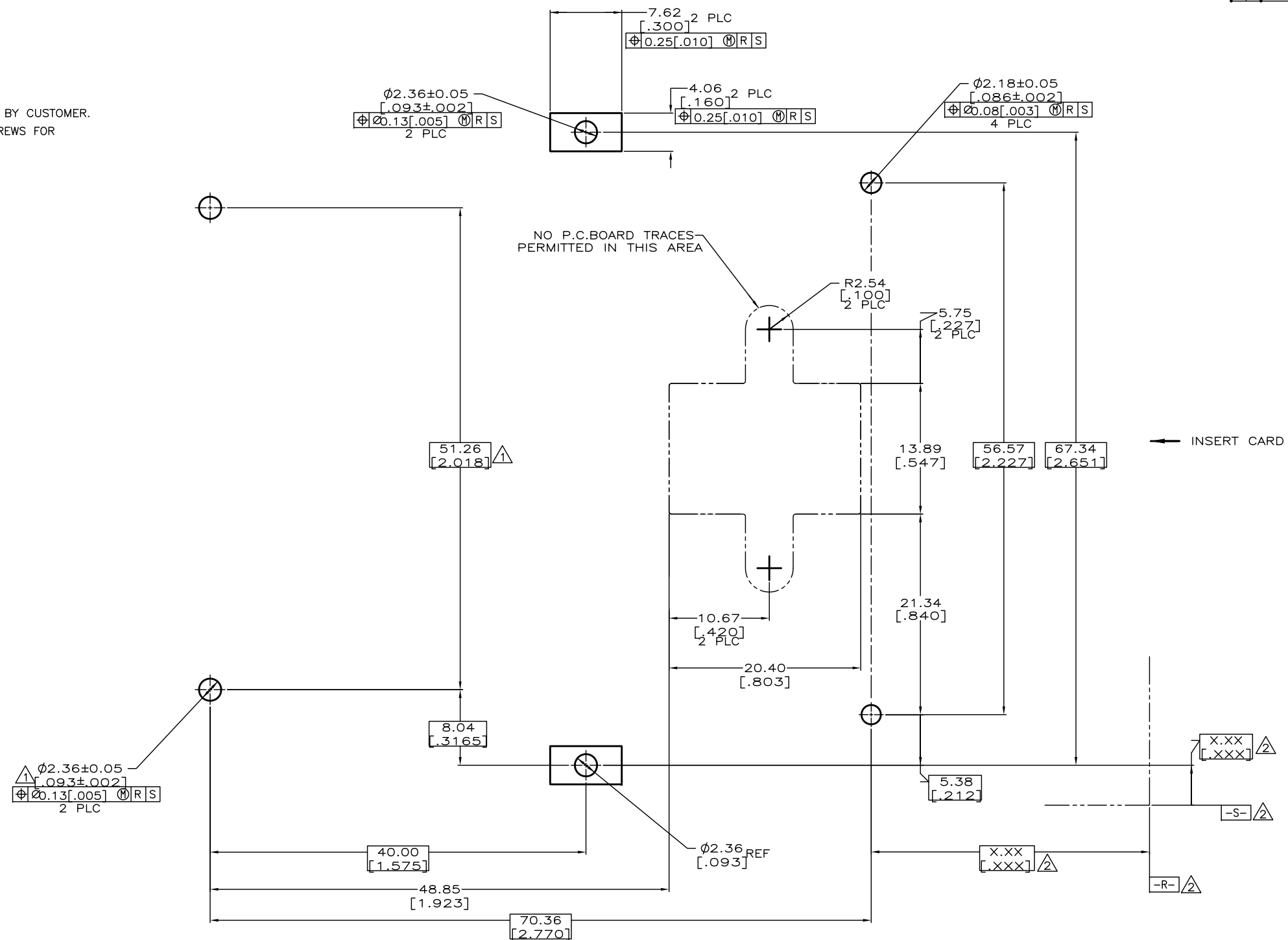
DO NOT SCALE PRINT.  
 UNLESS SPECIFIED  
 DIMENSIONS IN mm [INCHES]  
 TOLERANCES ON :  
 2 PLC DEC ± 0.13 [.005]  
 3 PLC DEC ± -  
 ANGLES ± -  
 MATERIAL  
 GUIDES, SHROUDS & BUTTON:  
 LCP, COLOR: BLACK  
 EJECTOR, RAIL PLATE & LEVER:  
 STAINLESS STEEL  
 FINISH -

DR 9/9/93  
 J MOSER  
 CHK 9/9/93  
 B ELICKER  
 APPD 9/9/93  
 B ELICKER  
 APPD 9/9/93  
 B ELICKER  
 APPLICATION SPEC -  
 WEIGHT 34.2 GRAMS

<b>TE</b> TE Connectivity		
NAME ASSEMBLY, STACKED EJECTORS, SAME SIDE BUTTONS, AMP MEMORY CARD		
SIZE D	CAGE CODE 00779	DRAWING NO C-146036
SCALE 4:1	SHEET 10F 2	

THIS DRAWING IS A CONTROLLED DOCUMENT FOR  
 AMP INCORPORATED. IT IS SUBJECT TO CHANGE  
 AND THE CONTROLLING ENGINEERING ORGANIZATION  
 SHOULD BE CONTACTED FOR THE LATEST REVISION.

- ▲ HEADER MOUNTING HOLE LOCATIONS
- ▲ DATUMS & BASIC DIMENSIONS ESTABLISHED BY CUSTOMER.
- 3. ASSEMBLY REQUIRES USE OF 2-SIZE 2M SCREWS FOR FASTENING TO PRINTED CIRCUIT BOARD.



RECOMMENDED BOARD LAYOUT

THIS DRAWING IS A CONTROLLED DOCUMENT FOR AMP INCORPORATED. IT IS SUBJECT TO CHANGE AND THE CONTROLLING ENGINEERING ORGANIZATION SHOULD BE CONTACTED FOR THE LATEST REVISION.

DO NOT SCALE PRINT, UNLESS SPECIFIED  
 DIMENSIONS IN mm [INCHES]  
 TOLERANCES ON :  
 2 PLC DEC ± 0.13 [.005]  
 3 PLC DEC ± -  
 ANGLES ± -  
 MATERIAL -  
 FINISH -  
 WEIGHT -

DR	9/9/93	J MOSER
CHK	9/9/93	B ELICKER
APPD	9/9/93	B ELICKER
APPD	9/9/93	B ELICKER
PRODUCT SPEC		
APPLICATION SPEC		
WEIGHT		

PART NO		
<b>STE</b> TE Connectivity		
NAME		
ASSEMBLY, STACKED EJECTORS, SAME SIDE BUTTONS, AMP MEMORY CARD		
SIZE	CAGE CODE	DRAWING NO
D	00779	C-146036
SCALE	SHEET	
4:1	2 OF 2	

CUSTOMER DRAWING