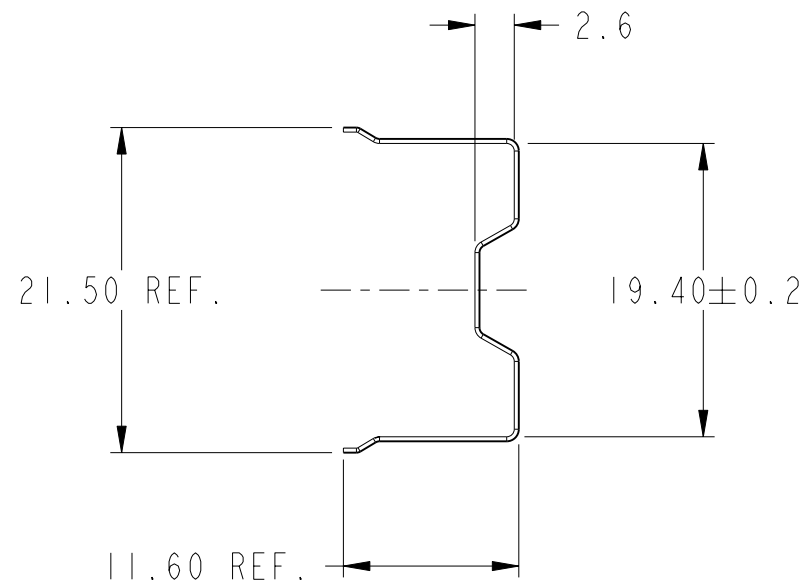
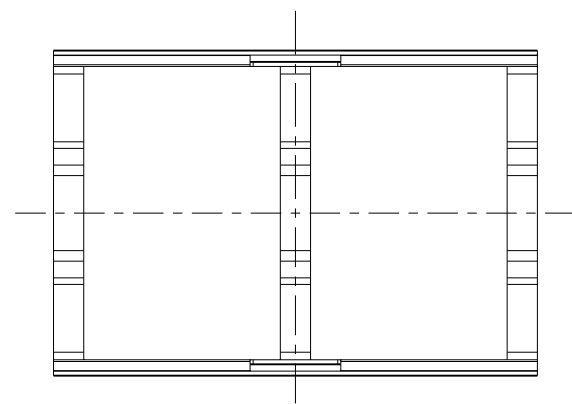
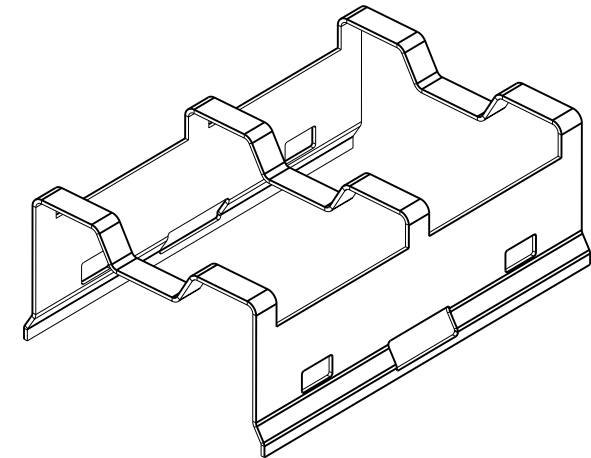
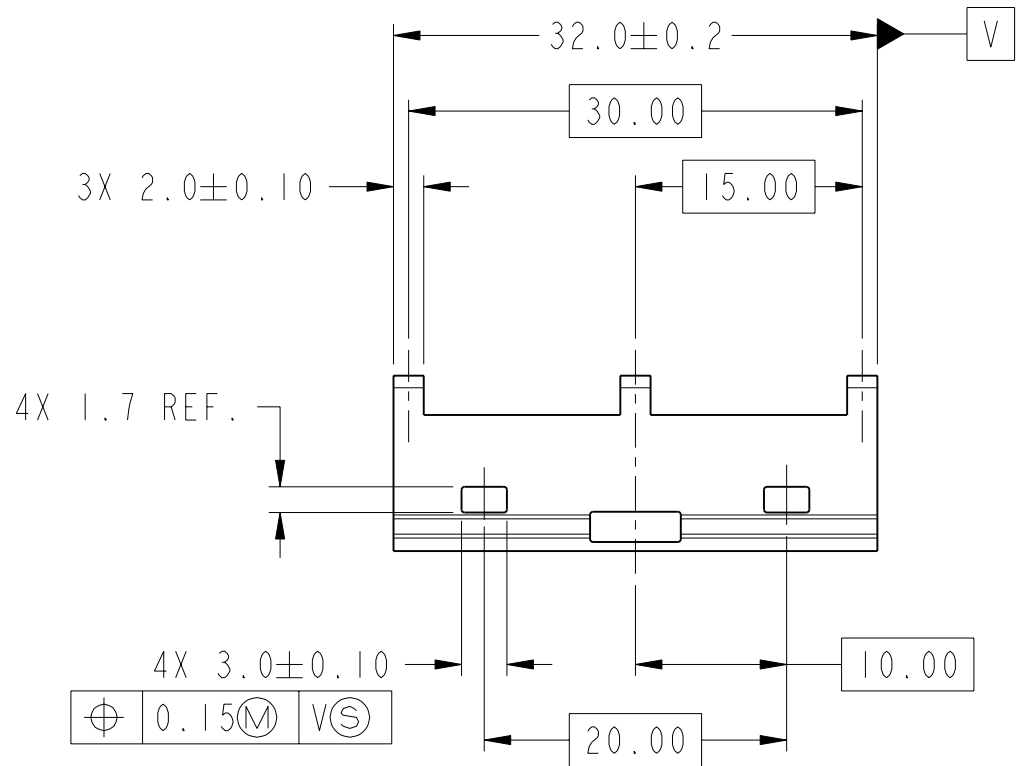


PART NUMBER  
10099116-001LF



NOTES:

1. MATERIAL: COPPER ALLOY, NICKEL PLATED
2. PRODUCT SPECIFICATION: GS-12-622
3. APPLICATION SPECIFICATION: GS-20-126
4. PRODUCT MEETS EUROPEAN UNION DIRECTIVES AND OTHER COUNTRY REGULATIONS AS DESCRIBED IN GS-22-008.

rev	ecn no	dr	date
A	V09-0443	SM	2009-10-31
-	-	-	-
-	-	-	-
-	-	-	-
-	-	-	-

www.fciconnect.com		surface ASME Y14.5	tolerance std ASME Y14.5	projection ASME Y14.5	mm
		TOLERANCES UNLESS OTHERWISE SPECIFIED			
Dr	KaBabu	2009-04-01	ANGULAR	0.X	±0.20
Eng	M. GRAY	2009-05-15	LINEAR	0.XX	±0.10
Chr	M. GRAY	2009-05-15	0° ±°	0.XXX	±-
Appr	M. GRAY	2009-05-15	Product family		QSFP
FCj		title			10099116
catalog no		CUSTOMER			sheet 1 of 1