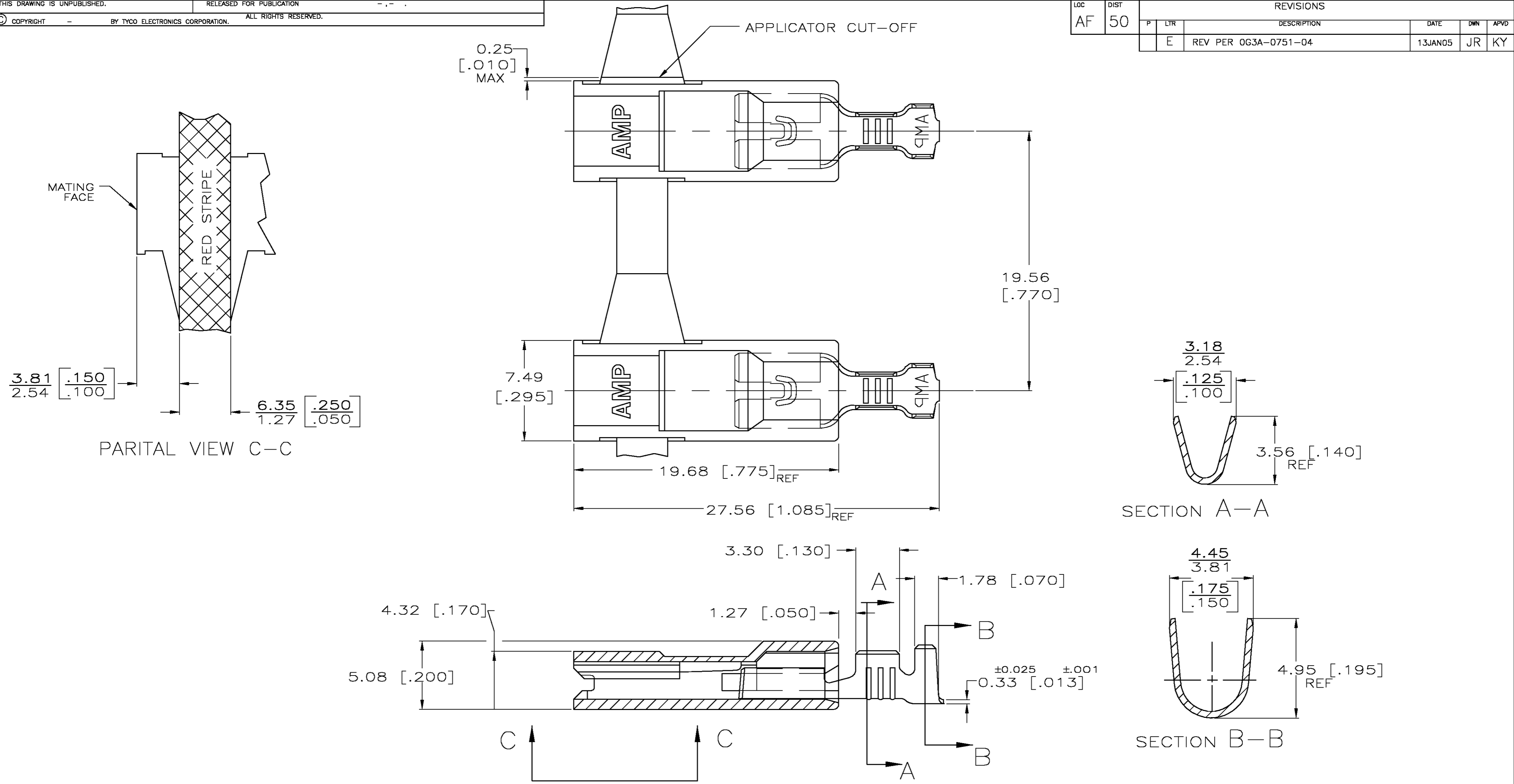


THIS DRAWING IS UNPUBLISHED. RELEASED FOR PUBLICATION
 © COPYRIGHT BY TYCO ELECTRONICS CORPORATION. ALL RIGHTS RESERVED.

LOC	DIST	REVISIONS			
P	LTR	DESCRIPTION	DATE	DWN	APVD
AF	50	E	REV PER 0G3A-0751-04	13JAN05	JR KY



1 FASTON TERMINALS, BASE
 P/N 63654, ARE USED IN THIS PRODUCT.
 2 MATERIAL - HOUSING, 6/6 NYLON, COLOR NATURAL
 TERMINAL, 4H BRASS, NO PLATING

OBSOLETE	— BULK —	2.29—3.30 [0.090—.130]	0.5—1.3 mm ² [20—16]	0.81 [0.032]	5-521086-1
	STANDARD				521086-1
	PACKAGING	INSULATION RANGE	WIRE SIZE	MATING TAB THK ±0.025 [±.001]	PART NO.
THIS DRAWING IS A CONTROLLED DOCUMENT.		DWN JR RUTH 4/28/95		Tyco Electronics Corporation Harrisburg, Pa 17105-3608	
DIMENSIONS: MM [INCHES]		TOLERANCES UNLESS OTHERWISE SPECIFIED:		NAME	
0 PLC ± -		1 PLC ± -		J WORMAN	
2 PLC ± -		3 PLC ± 0.25 [0.010]		PRODUCT SPEC	
3 PLC ± -		4 PLC ± -		118-1285	
ANGLES ± -		FINISH		APPLICATION SPEC	
MATERIAL		- 2		114-2124	
				WEIGHT	
				-	
				SIZE	
				A2	
				CAGE CODE	
				00779	
				DRAWING NO	
				C=521086	
				RESTRICTED TO	
				-	
				SCALE	
				5:1	
				SHEET	
				1 OF 1	
				REV	
				E	