

## Panel feed-through - SACC-DSI-MSB-5CON-M12-SCO SH - 1552971

Please be informed that the data shown in this PDF Document is generated from our Online Catalog. Please find the complete data in the user's documentation. Our General Terms of Use for Downloads are valid (<http://download.phoenixcontact.com>)



Sensor/actuator flush-type plug, 5-pos., M12 SPEEDCON, shielded, B-coded, rear/screw mounting with M12 thread, with straight solder connection



### Key commercial data

|                        |          |
|------------------------|----------|
| Packing unit           | 1 1      |
| Minimum order quantity | 20 1     |
| Custom tariff number   | 85366990 |
| Country of origin      | Germany  |

### Technical data

#### Ambient conditions

|                                 |                                  |
|---------------------------------|----------------------------------|
| Ambient temperature (operation) | -25 °C ... 85 °C (Plug / socket) |
| Degree of protection            | IP67                             |

#### General

|                        |                               |
|------------------------|-------------------------------|
| Rated current at 40°C  | 4 A                           |
| Rated voltage          | 60 V                          |
| Number of positions    | 5                             |
| Contact resistance     | ≤ 3 mΩ                        |
| Insulation resistance  | ≥ 100 MΩ                      |
| Coding                 | B - inverse                   |
| Standards/regulations  | M12 connector IEC 61076-2-101 |
| Status display         | No                            |
| Surge voltage category | II                            |
| Pollution degree       | 3                             |
| Connection method      | Solder pins                   |

# Panel feed-through - SACC-DSI-MSB-5CON-M12-SCO SH - 1552971

## Technical data

### General

|               |                                     |
|---------------|-------------------------------------|
| Mounting type | Rear mounting M12 x 1 With flat nut |
|---------------|-------------------------------------|

### Material

|   |                              |
|---|------------------------------|
| Inflammability class according to UL 94 | V0                           |
| Contact material                        | CuZn                         |
| Contact surface material                | Ni/Au                        |
| Contact carrier material                | PA 66                        |
| Material, knurls                        | Zinc die-cast, nickel-plated |
| Sealing material                        | NBR                          |

## Classifications

### eCl@ss

|            |          |
|------------|----------|
| eCl@ss 4.0 | 27250313 |
| eCl@ss 4.1 | 27250313 |
| eCl@ss 5.0 | 27143423 |
| eCl@ss 5.1 | 27143423 |
| eCl@ss 6.0 | 27143423 |
| eCl@ss 7.0 | 27449001 |
| eCl@ss 8.0 | 27449001 |

### ETIM

|          |          |
|----------|----------|
| ETIM 3.0 | EC002061 |
| ETIM 4.0 | EC002062 |
| ETIM 5.0 | EC002062 |

### UNSPSC

|               |          |
|---------------|----------|
| UNSPSC 6.01   | 31261501 |
| UNSPSC 7.0901 | 31261501 |
| UNSPSC 11     | 31261501 |
| UNSPSC 12.01  | 31261501 |
| UNSPSC 13.2   | 31261501 |

## Approvals

### Approvals

---

# Panel feed-through - SACC-DSI-MSB-5CON-M12-SCO SH - 1552971

## Approvals

Approvals

UL Recognized / GOST / GOST

Ex Approvals

Approvals submitted

## Approval details

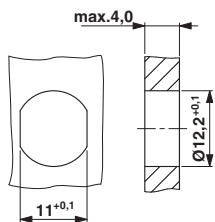
|                                |       |
|--------------------------------|-------|
| UL Recognized                  |       |
| mm <sup>2</sup> /AWG/kcmil     | 26-20 |
| Nominal current I <sub>N</sub> | 4 A   |
| Nominal voltage U <sub>N</sub> | 60 V  |

|      |  |
|------|--|
| GOST |  |
|------|--|

|      |  |
|------|--|
| GOST |  |
|------|--|

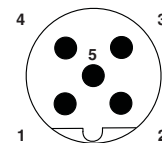
## Drawings

Dimensioned drawing



Panel cutout

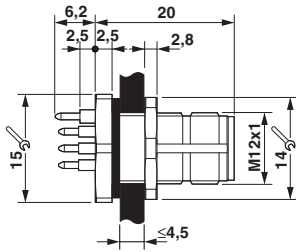
Schematic diagram



Pin assignment M12 male connector, 5-pos., B-coded, male side

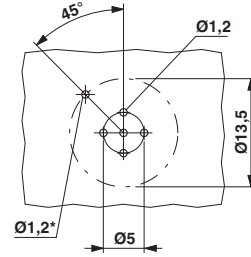
# Panel feed-through - SACC-DSI-MSB-5CON-M12-SCO SH - 1552971

Dimensioned drawing

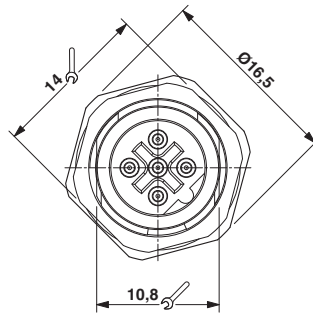


M12 flush-type connector

Drilling diagram



Dimensioned drawing



Front view of M12 flush-type connector