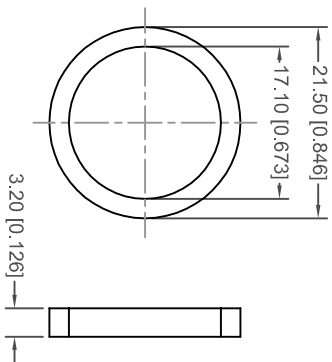
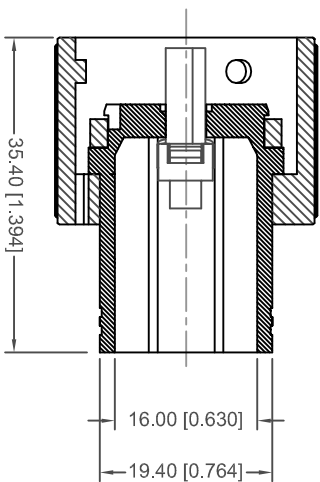
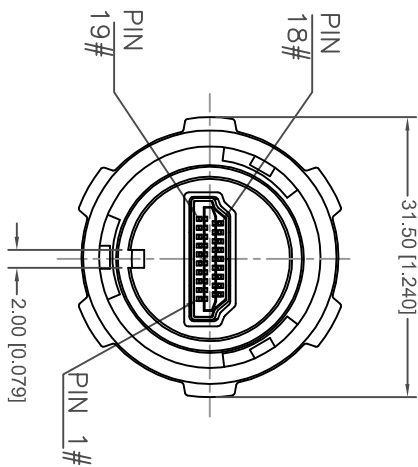
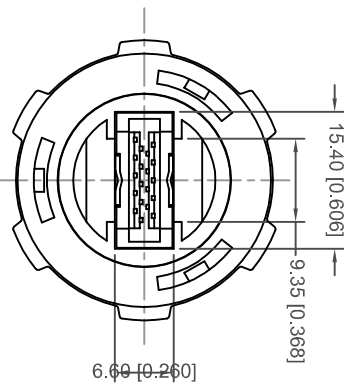
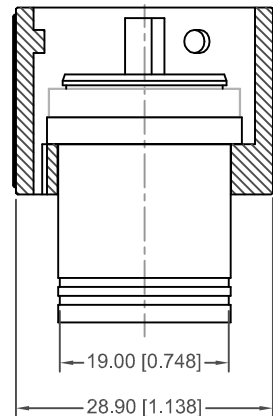
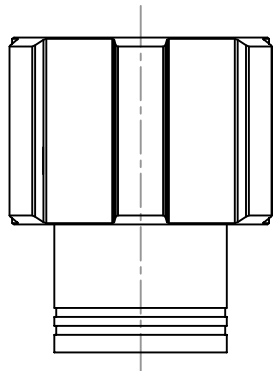


TOLERANCE UNLESS OTHERWISE SPECIFIED IN MM:  
 0.0 ± 0.20  
 0.00 ± 0.10  
 0.000 ± 0.05

THIS IS A C.A.D. GENERATED DRAWING  
 DO NOT MAKE MANUAL REVISIONS TO MASTER.



O-RING

1. MATERIAL :
  - 1-1. EXTERNAL HOUSING : PBT UL94V-0 ; COLOR : BLACK
  - 1-2. EXTERNAL NUT : PBT UL94V-0 ; COLOR : BLACK
  - 1-3. O-RING : SILICONE ; COLOR : BROWN
  - 1-4. HDMI:
    - 1-4-1. FRONT HOUSING: LCP
    - 1-4-2. BACK HOUSING: PBT+GF30%
    - 1-4-3. CONTACT : PHOSPHOR BRONZE
    - 1-4-4. SHELL: BRASS
2. FINISH :
  - 2-1. CONTACT : 15 MICRONS MIN. GOLD PLATED
  - 2-2. SHELL: GOLD FLASH
  - 2-3. SOLDER TAILS: TIN 100u", UNDER PLATE : NICKEL
3. ELECTRICAL SPECIFICATIONS:
  - 3-1. WATER PROOF: IPX7

WATERPROOF HDMI BLACK TYPE A, 180°

(MALE)

ACAD REFERENCE NO.: 690-W19-260-011

DRAWN: R.STA.MONICA DATE: JAN.09/2014

CHECKED: DATE:

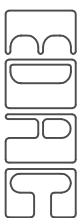
PART NUMBER 690-W19-260-011 SHEET 1 OF 2

DRAWING NUMBER 690-W19-260-011 ISSUE

1

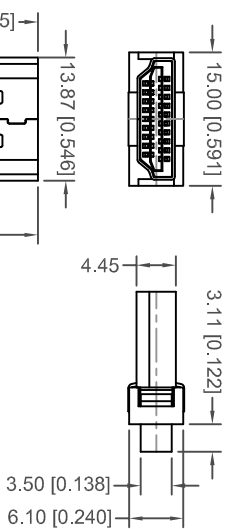


THIS SERIES FULLY CONFORMS TO THE EUROPEAN UNION DIRECTIVES 2002/95/EC AND 2002/96/EC FOR ROHS COMPLIANCY.

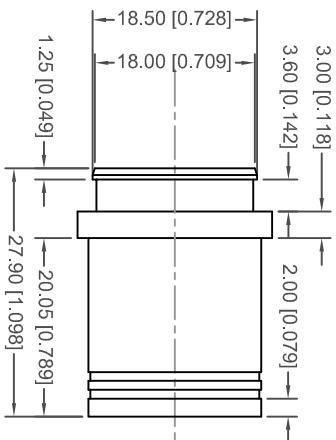


EDAC INC  
TORONTO, ONTARIO  
CANADA

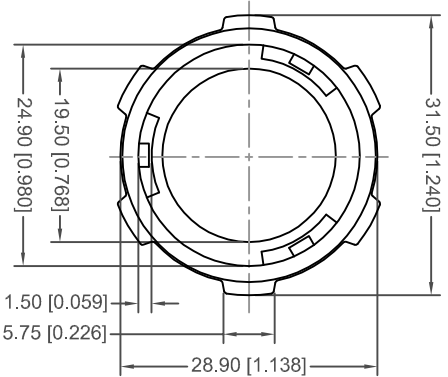
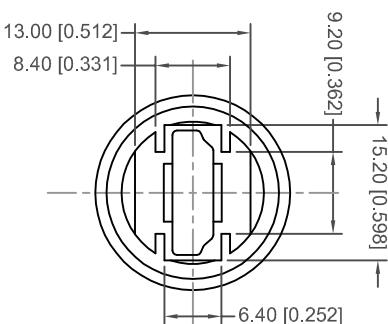
YOUR CONNECTION TO QUALITY & SERVICE



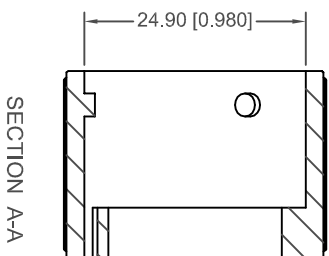
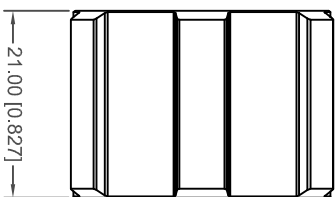
HDMI CONNECTOR



EXTERNAL HOUSING

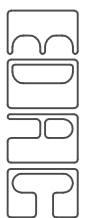


EXTERNAL NUT



THIS SERIES FULLY CONFORMS TO THE  
EUROPEAN UNION DIRECTIVES 2002/95/EC  
AND 2002/96/EC FOR RoHS COMPLIANCY.

**WATERPROOF HDMI BLACK TYPE A, 180°  
(MALE)**



EDAC INC  
TORONTO, ONTARIO  
CANADA

YOUR CONNECTION TO QUALITY & SERVICE

THESE DRAWINGS AND SPECIFICATIONS  
ARE THE PROPERTY OF EDAC INC. AND  
SHALL NOT BE REPRODUCED OR COPIED  
OR USED AS THE BASIS FOR THE  
MANUFACTURE OR SALE OF APPARATUS  
WITHOUT WRITTEN PERMISSION.

ACAD REFERENCE NO.: 690-W19-260-011

DRAWN: R.STA.MONICA DATE: JAN.09/2014

CHECKED: DATE:

PART NUMBER  
690-W19-260-011

SHEET 2 OF 2

DRAWING NUMBER  
690-W19-260-011

ISSUE  
1