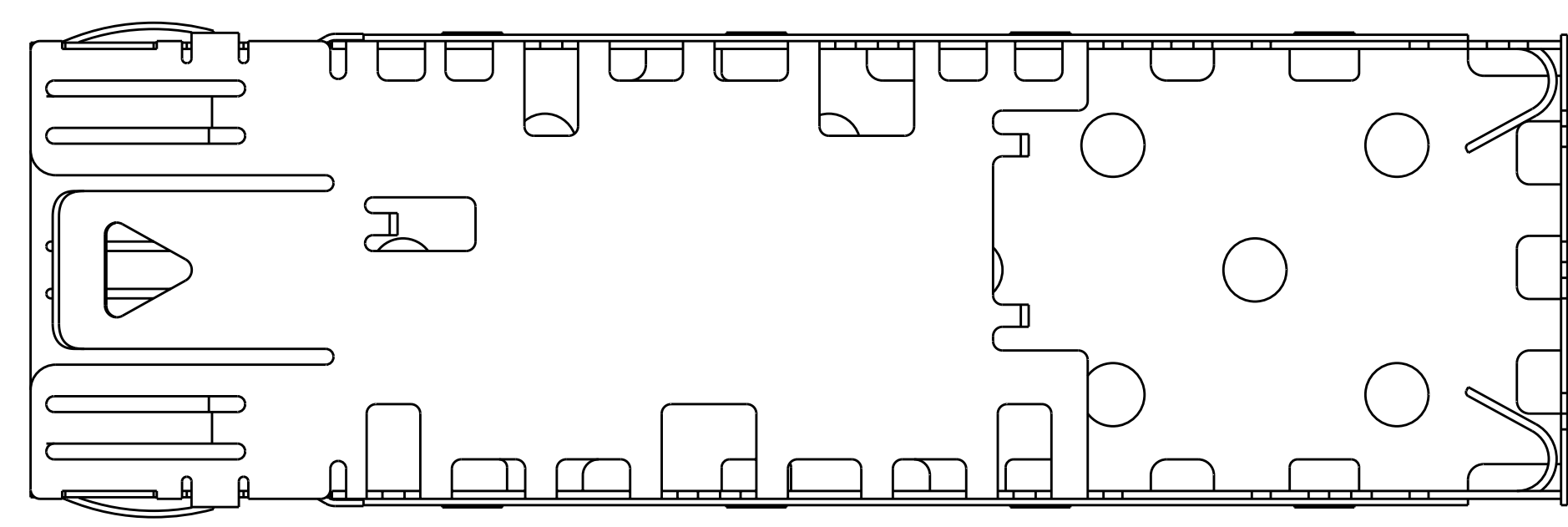
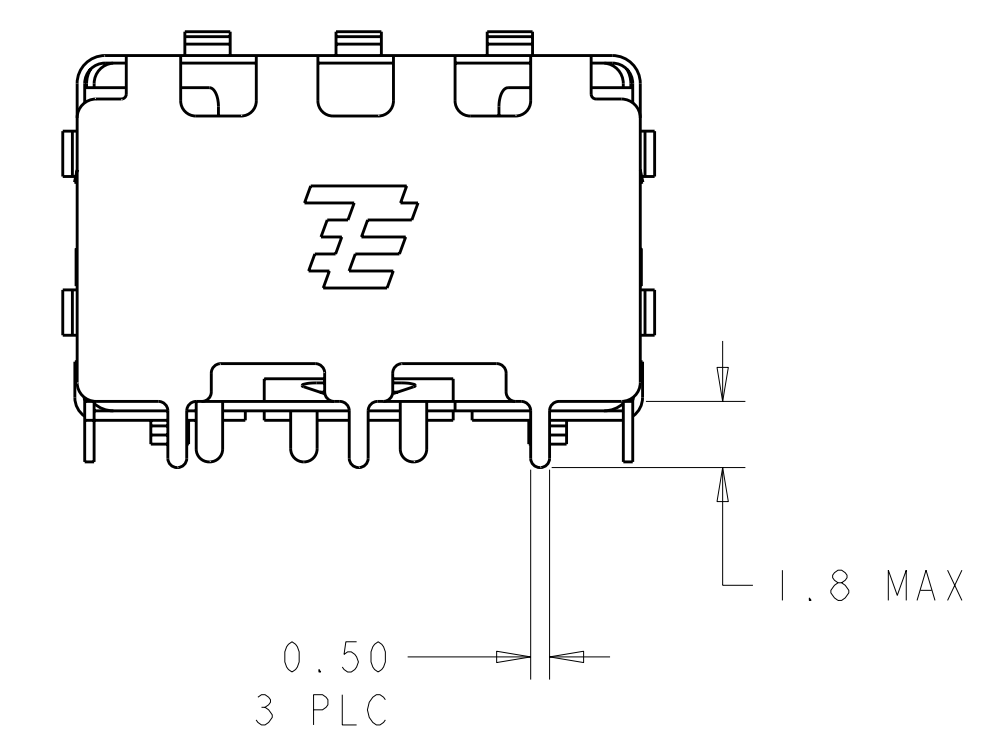
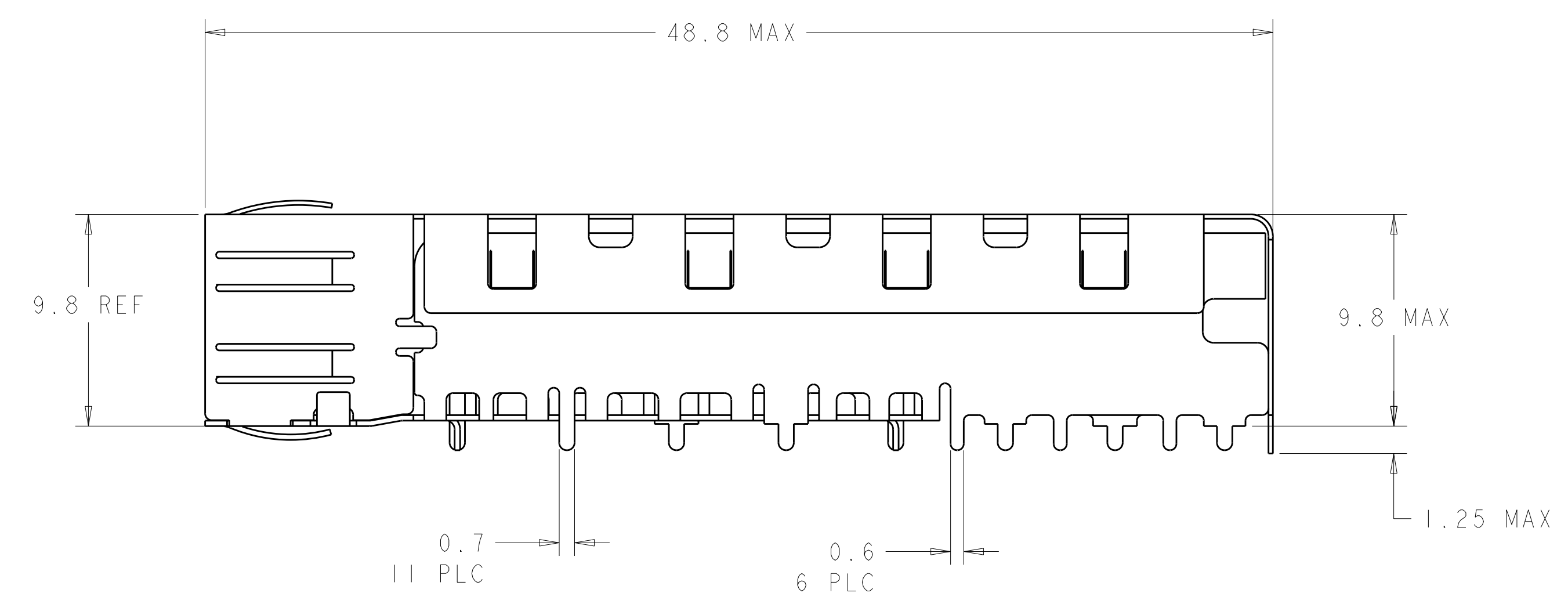
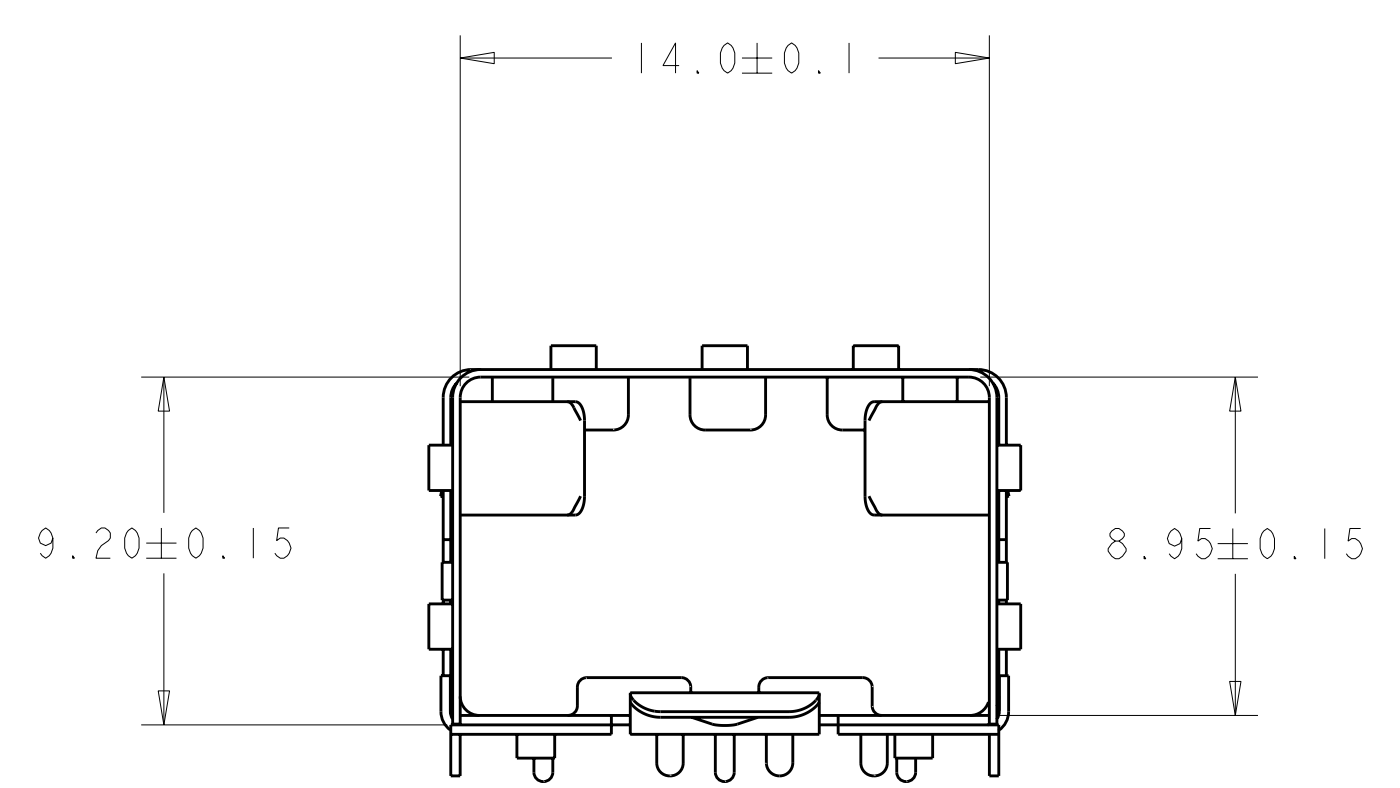
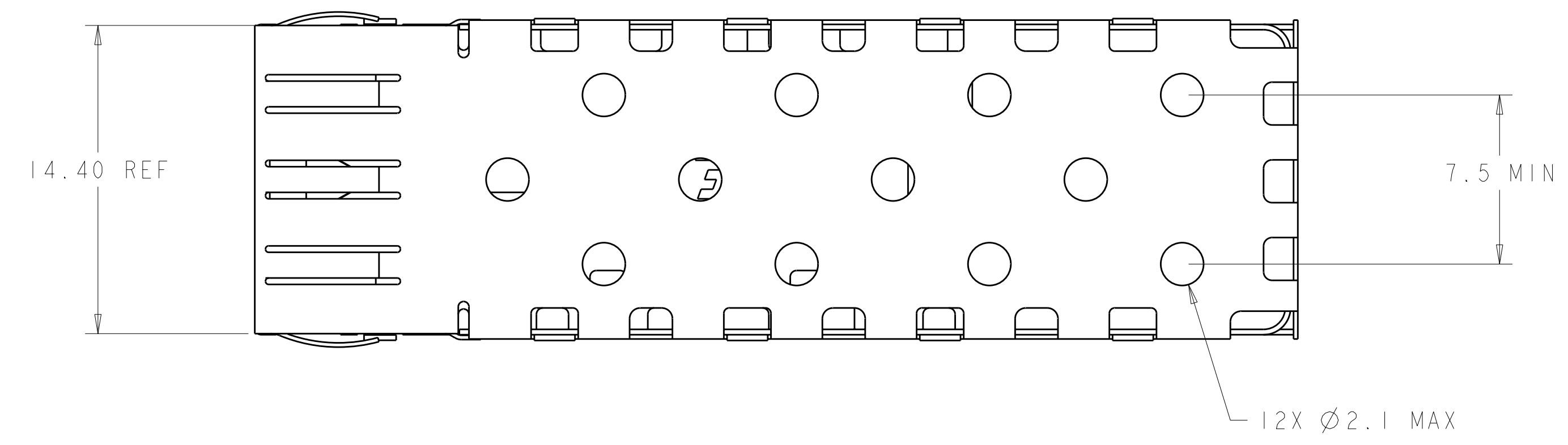


LOC	DIST	REVISIONS			
P	LTN	DESCRIPTION	DATE	DWN	APVD
ES	00				
A1		REVISED ECR-08-021421	26AUG2008	A.Z	S.Y
B		REVISED ECR-09-004384	26MAY2009	AL	SY
C		REVISED PER ECO-10-016238	08NOV2010	JY	CW



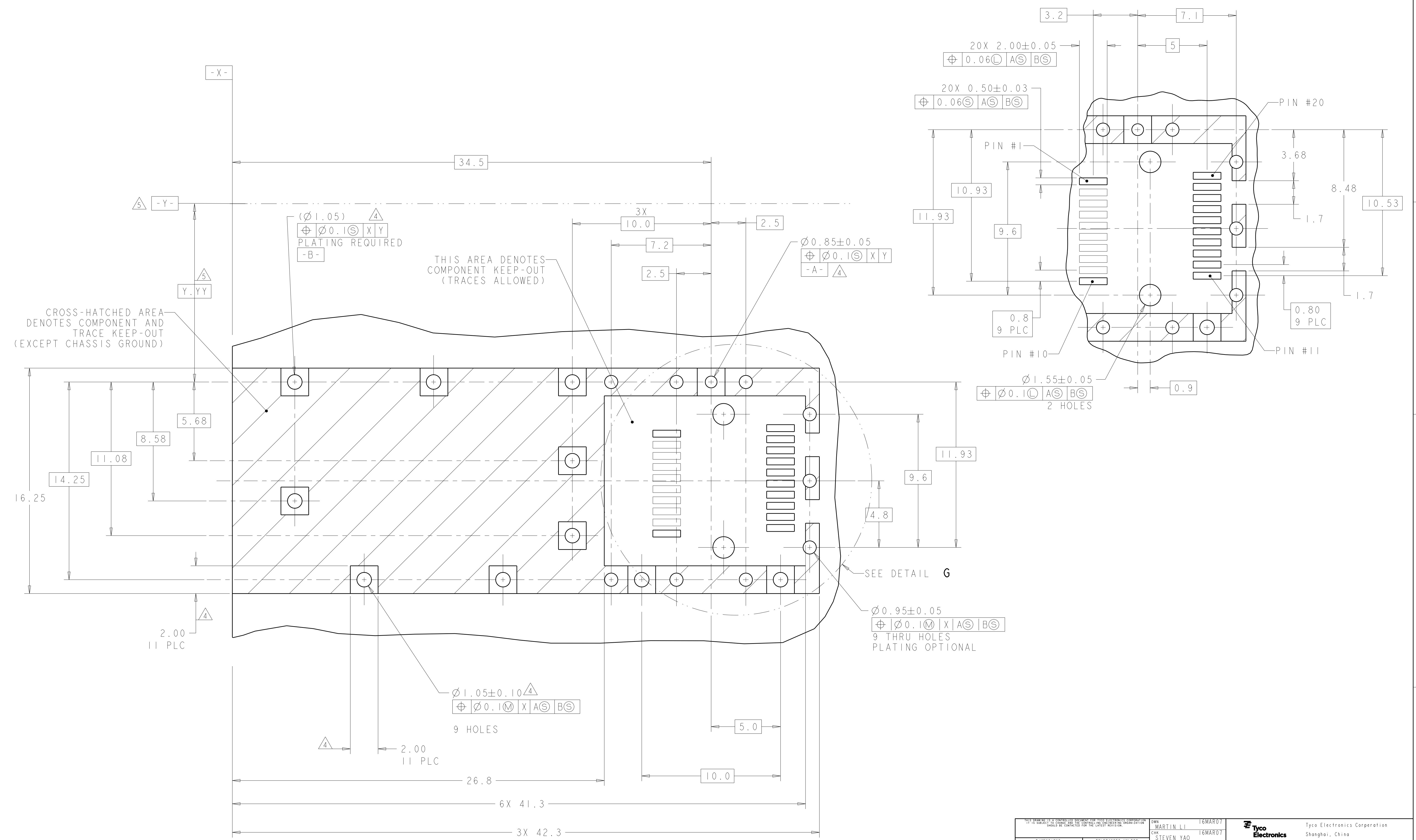
- 1. 0.25 THICK COPPER ALLOY.
- 2. 1.25 MICRONS MIN TIN OVER 0.125 MICRONS MIN NICKEL. BARE EDGES PERMISSIBLE.
- 3. SFP MSA COMPATIBLE.
- 4. PADS AND VIAS CHASSIS GROUND.
- 5. DATUM AND BASIC DIMENSION ESTABLISHED BY CUSTOMER.
- 6. 240 PIECES PER 15 INCH REEL.

1932002-1
 PART NUMBER

<small>THIS DRAWING IS UNPUBLISHED. RELEASED FOR PUBLICATION BY TYCO ELECTRONICS CORPORATION. ALL RIGHTS RESERVED.</small>		DWN: MARTIN LI 16MAR07 CHK: STEVEN YAO 16MAR07 APVD: STEVEN YAO 16MAR07	Tyco Electronics Corporation Shanghai, China
DIMENSIONS: mm	TOLERANCES UNLESS OTHERWISE SPECIFIED: 9 PLC ±0.13 1 PLC ±0.1 2 PLC ±0.05 3 PLC ± 4 PLC ± ANGLES ±	NAME: CAGE ASSEMBLY SOLDER PIN, SFP PRODUCT SPEC: 108-1950 APPLICATION SPEC: 114-13017	SIZE: CAGE CODE DRAWING NO: A1100779C=1932002 RESTRICTED TO:
MATERIAL:	FINISH:	WEIGHT: -	SCALE: 5:1 SHEET 1 OF 3 REV C
CUSTOMER DRAWING			

LOC	DIST	REV	DATE	BY	APPD
ES	00				

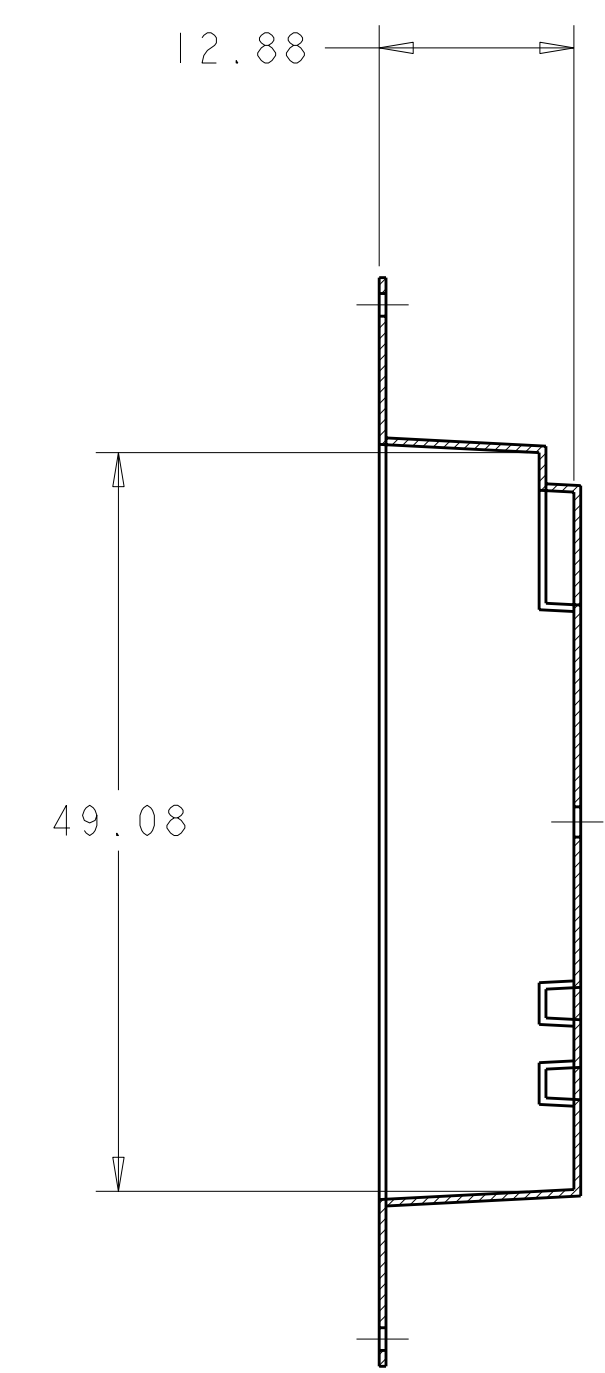
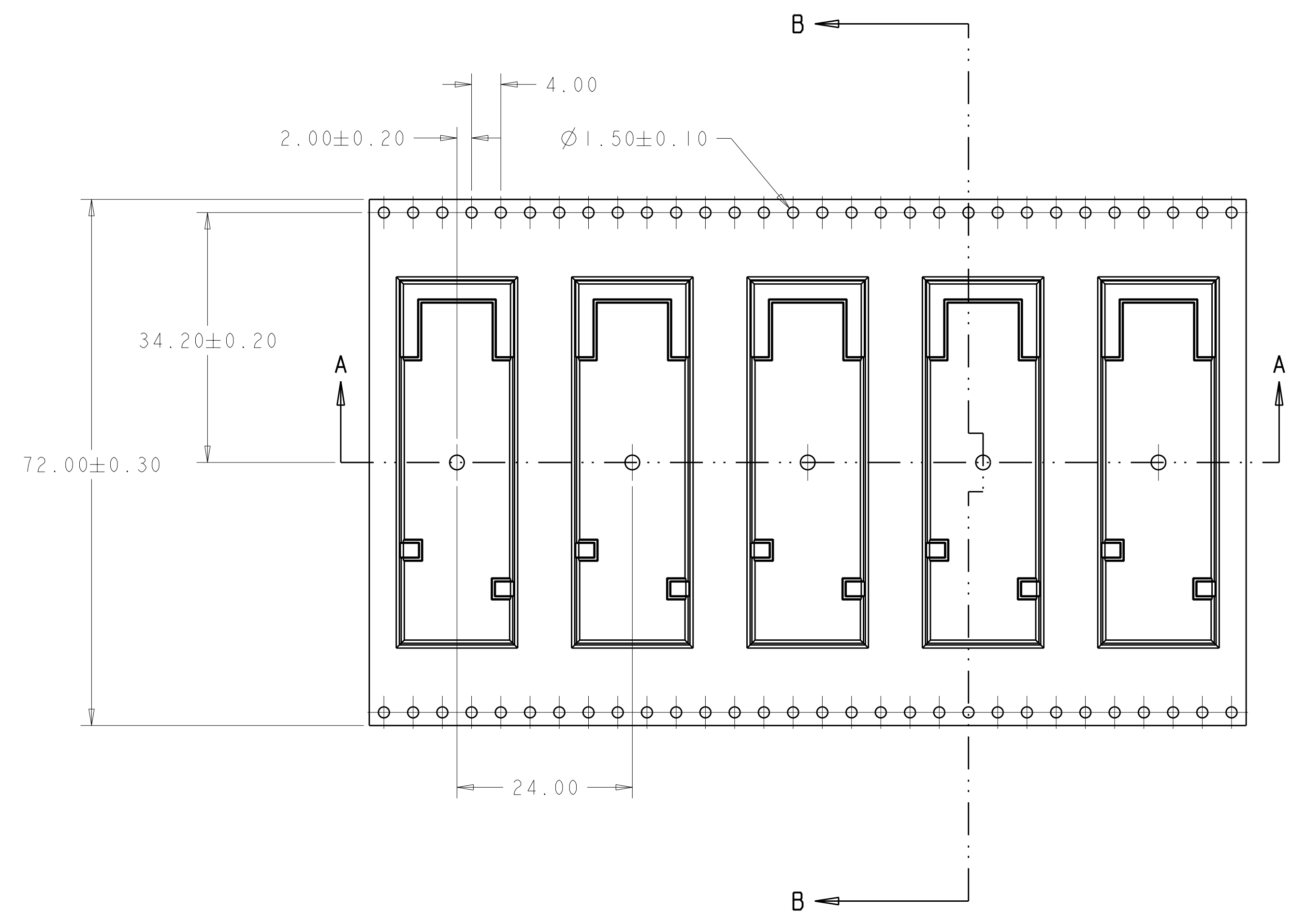
REVISIONS		DATE	BY	APPD
1	SEE SHEET 1			



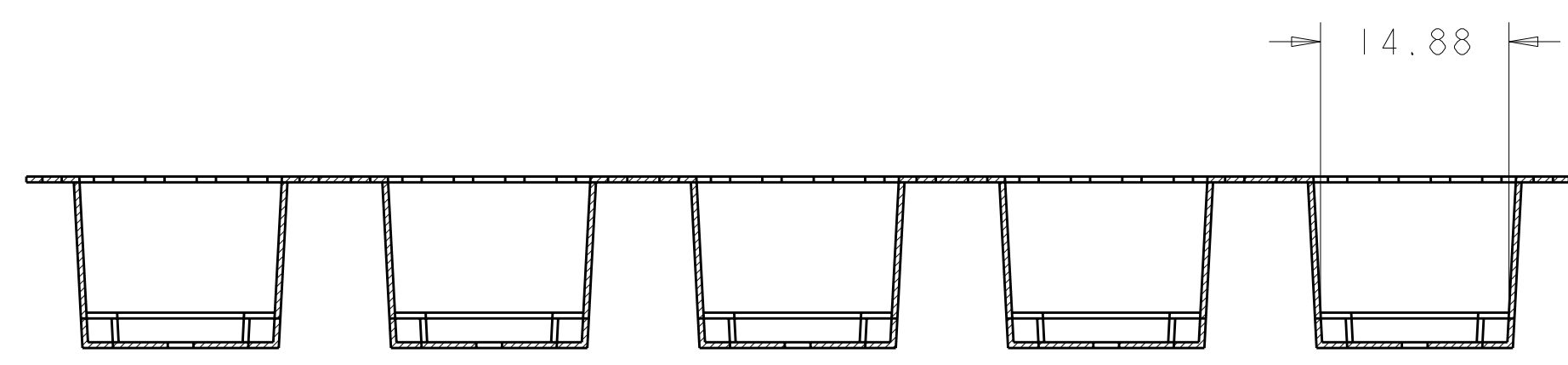
RECOMMENDED PCB LAYOUT

<small>THIS DRAWING IS UNPUBLISHED. RELEASED FOR PUBLICATION. ALL RIGHTS RESERVED. THIS DRAWING IS UNPUBLISHED. RELEASED FOR PUBLICATION. ALL RIGHTS RESERVED. THIS DRAWING IS UNPUBLISHED. RELEASED FOR PUBLICATION. ALL RIGHTS RESERVED.</small>		DWN: MARTIN LI 16MAR07 CHK: STEVEN YAO 16MAR07 APVD: STEVEN YAO 16MAR07	Tyco Electronics Corporation Shanghai, China
DIMENSIONS: mm TOLERANCES UNLESS OTHERWISE SPECIFIED: 9 PLC ±0.13 1 PLC ±0.1 2 PLC ±0.05 5 PLC ± 4 PLC ± ANGLES ±°	PRODUCT SPEC: 108-1950 APPLICATION SPEC: 114-13017 WEIGHT: - FINISH: -	NAME: CAGE ASSEMBLY SOLDER PIN, SFP SIZE: CAGE CODE DRAWING NO: A1100779C=1932002 RESTRICTED TO: -	SCALE: 5:1 SHEET: 2 OF 3 REV: C
MATERIAL: -		CUSTOMER DRAWING	

LOC	DIST	REVISIONS					
ES	00	P	LTR	DESCRIPTION	DATE	DWN	APVD
		-	-	SEE SHEET 1	-	-	-



SECTION B-B



SECTION A-A

1932002-1 REEL PACKAGING

<small>THIS DRAWING IS UNPUBLISHED. RELEASED FOR PUBLICATION. ALL RIGHTS RESERVED. THIS DRAWING IS THE PROPERTY OF TYCO ELECTRONICS CORPORATION. IT IS SUBJECT TO CHANGE WITHOUT NOTICE AND WITHOUT OBLIGATION. SHOULD BE CONTACTED FOR THE LATEST REVISION.</small>		DWN: MARTIN LI 16MAR07 CHK: STEVEN YAO 16MAR07 APVD: STEVEN YAO 16MAR07	Tyco Electronics Corporation Shanghai, China
DIMENSIONS: mm 	TOLERANCES UNLESS OTHERWISE SPECIFIED: 0 PLC ±0.13 1 PLC ±0.1 2 PLC ±0.05 3 PLC ± 4 PLC ± ANGLES ±°	NAME: CAGE ASSEMBLY SOLDER PIN, SFP PRODUCT SPEC: 108-1950 APPLICATION SPEC: 114-13017 WEIGHT: - CUSTOMER DRAWING	SIZE: A CAGE CODE: 100779 DRAWING NO: C-1932002 RESTRICTED TO: - SCALE: 5:1 SHEET: 3 OF 3 REV: C