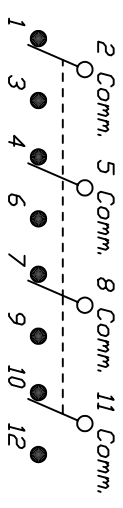
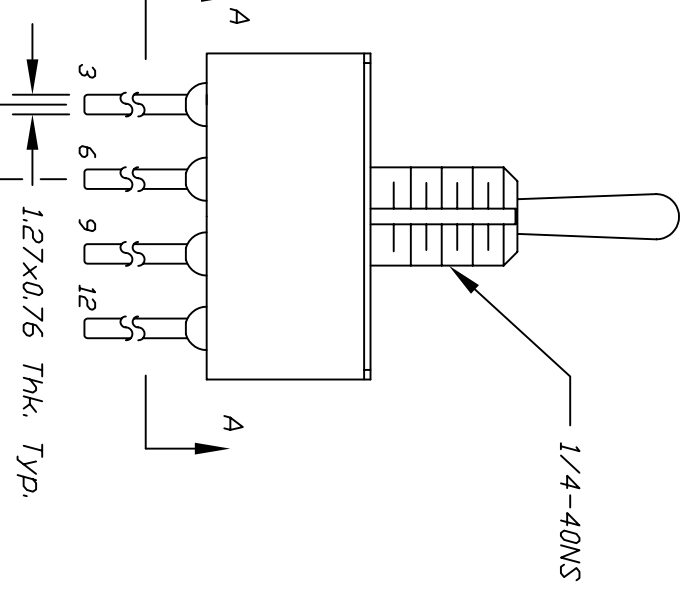
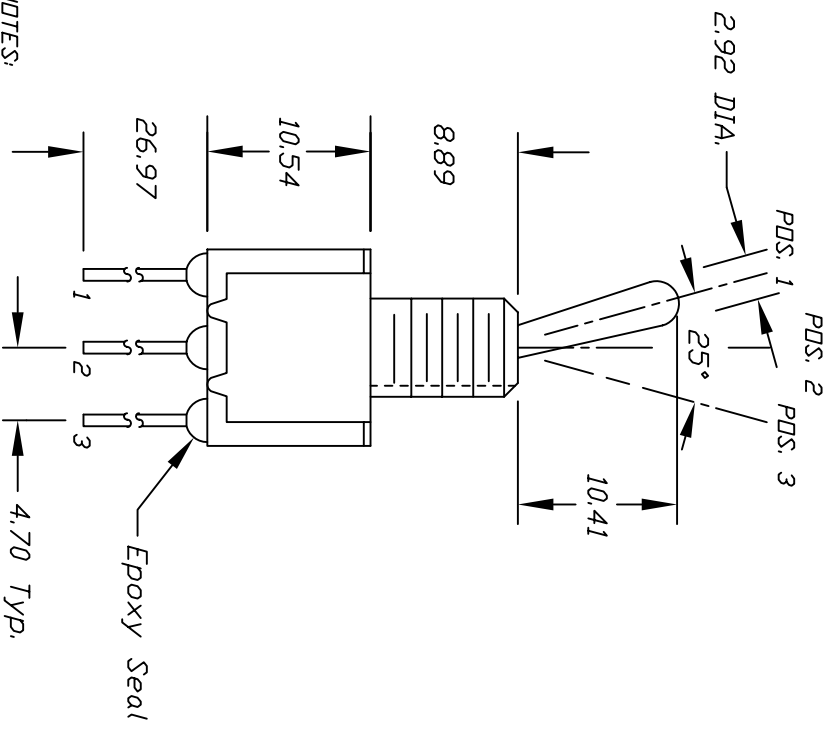


VIEW A-A



CIRCUIT: 4PDT

CONTACT CONFIGURATION

SWITCH FUNCTION		
POS. 1	POS. 2	POS. 3
DN	NONE	DN
2-3,5-6 8-9,11-12	OPEN	2-1,5-4 8-7,11-10

- NOTES:
1. ALL DIMENSIONS IN MM
  2. TERM. NOS. FOR REF ONLY
  3. RATING: 0.4 (VA) Max. @20V Max. (AC or DC)

REV.	DESCRIPTION	DATE	CHKD
A	RELEASED FOR PRODUCTION		

TOLERANCES

0.0	±0.4
0.00	±0.25

TITLE		SCALE		DATE		DR		DWG		REV	
100 4P-1 T1 B1 M5-4 R E		2:1		8/21/97		MM		T141022		A	



THE INFORMATION CONTAINED IN THIS DOCUMENT IS PROPRIETARY TO E-SWITCH AND IS NOT TO BE COPIED OR TRANSFERRED