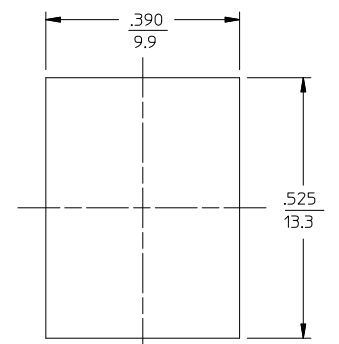
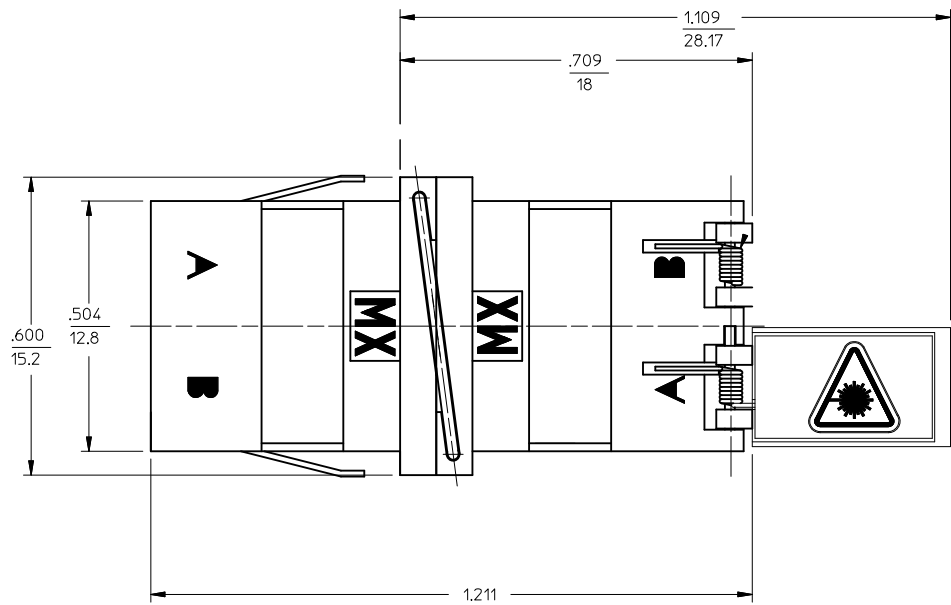
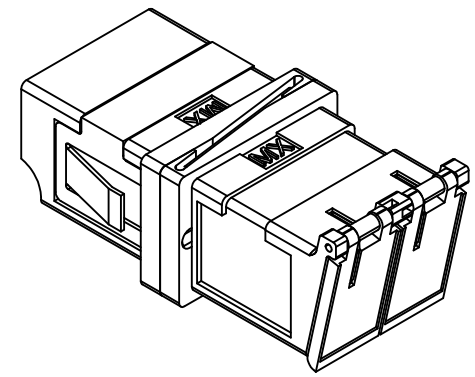
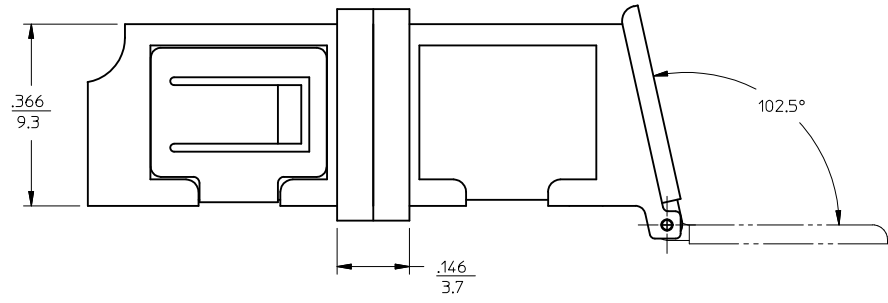
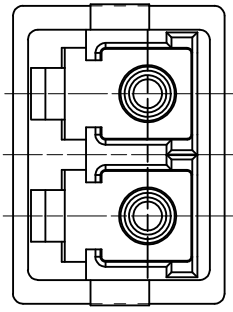


10	9
LC ADAPTER ASSY. P/N	LC DOOR COLOR
106127-1490	BLUE
106127-1491	GREEN



RECOMMENDED MOUNTING CUTOUT  
 PANEL THICKNESS - .063  
 1.6



- NOTES:
1. ALL DIMENSIONS ARE FOR REFERENCE ONLY.
  2. DUST CAP NOT SHOWN.
  3. ADAPTERS TO BE PACKAGED IN TRAY

ENTER DESCRIPTION EC NO: MF2010-0240 DRAWN BY: DRWANKPEVZNER CHKD: 2009/12/04 APPR: LGUMIN 2009/12/07 A2	QUALITY SYMBOLS ▽=0 ▽=0	GENERAL TOLERANCES (UNLESS SPECIFIED) mm INCH 4 PLACES ± --- ± --- 3 PLACES ± --- ± --- 2 PLACES ± --- ± --- 1 PLACE ± --- ± --- ANGULAR ±1/2°	DIMENSION STYLE IN/MM DRAWN BY: PGIBLIN DATE: 2005/10/05 CHECKED BY: DATE APPROVED BY: DATE	SCALE: 4:1 DESIGN UNITS: INCH THIRD ANGLE PROJECTION
	DRAFT WHERE APPLICABLE MUST REMAIN WITHIN DIMENSIONS			TITLE: LC DUPLEX ADAPTER (METAL, PLASTIC DOORS)
	MATERIAL NO. SEE TABLE			MOLEX INCORPORATED
	SIZE B			DOCUMENT NO. SD-106127-149X SHEET NO. 1 OF 01