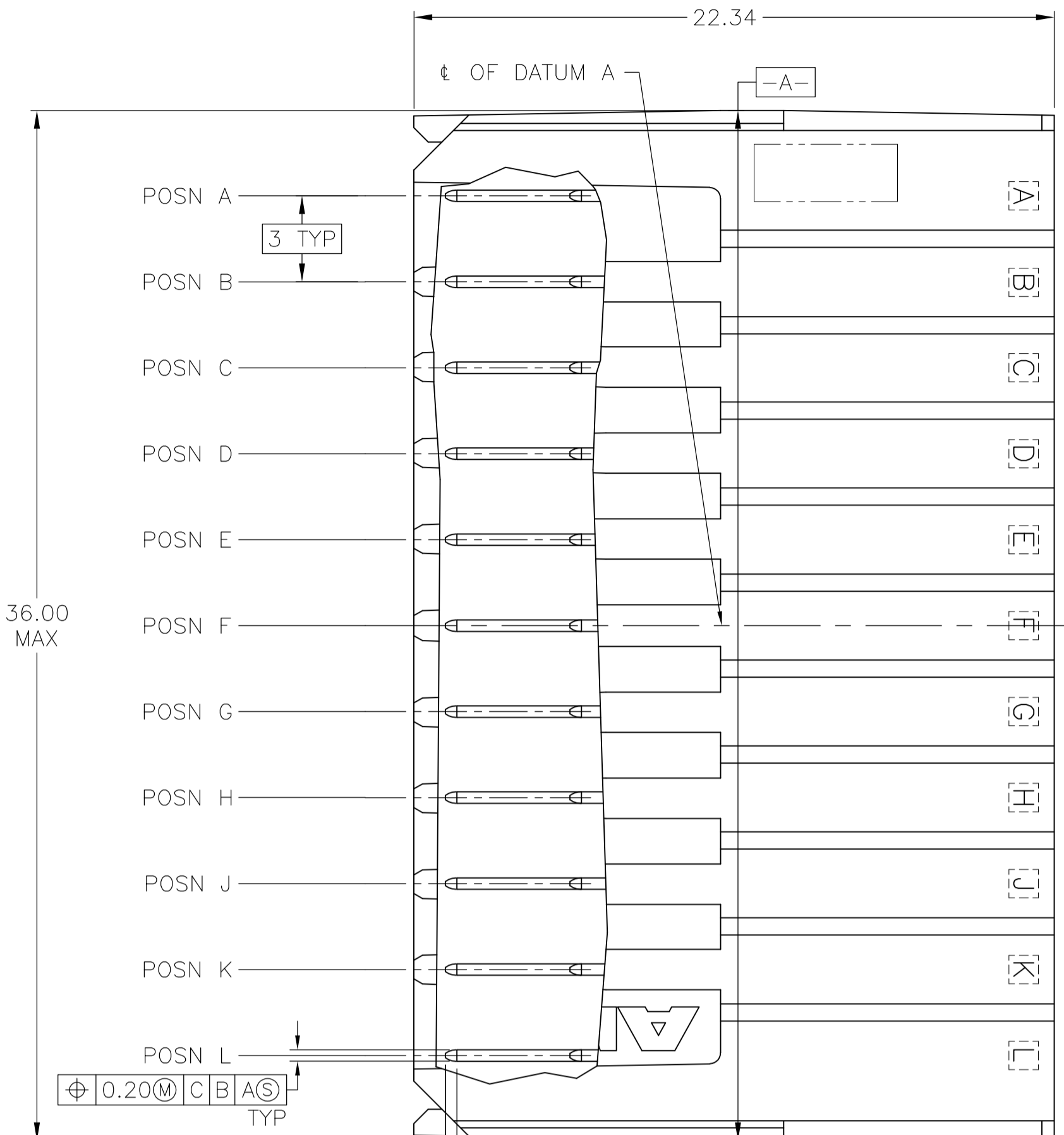
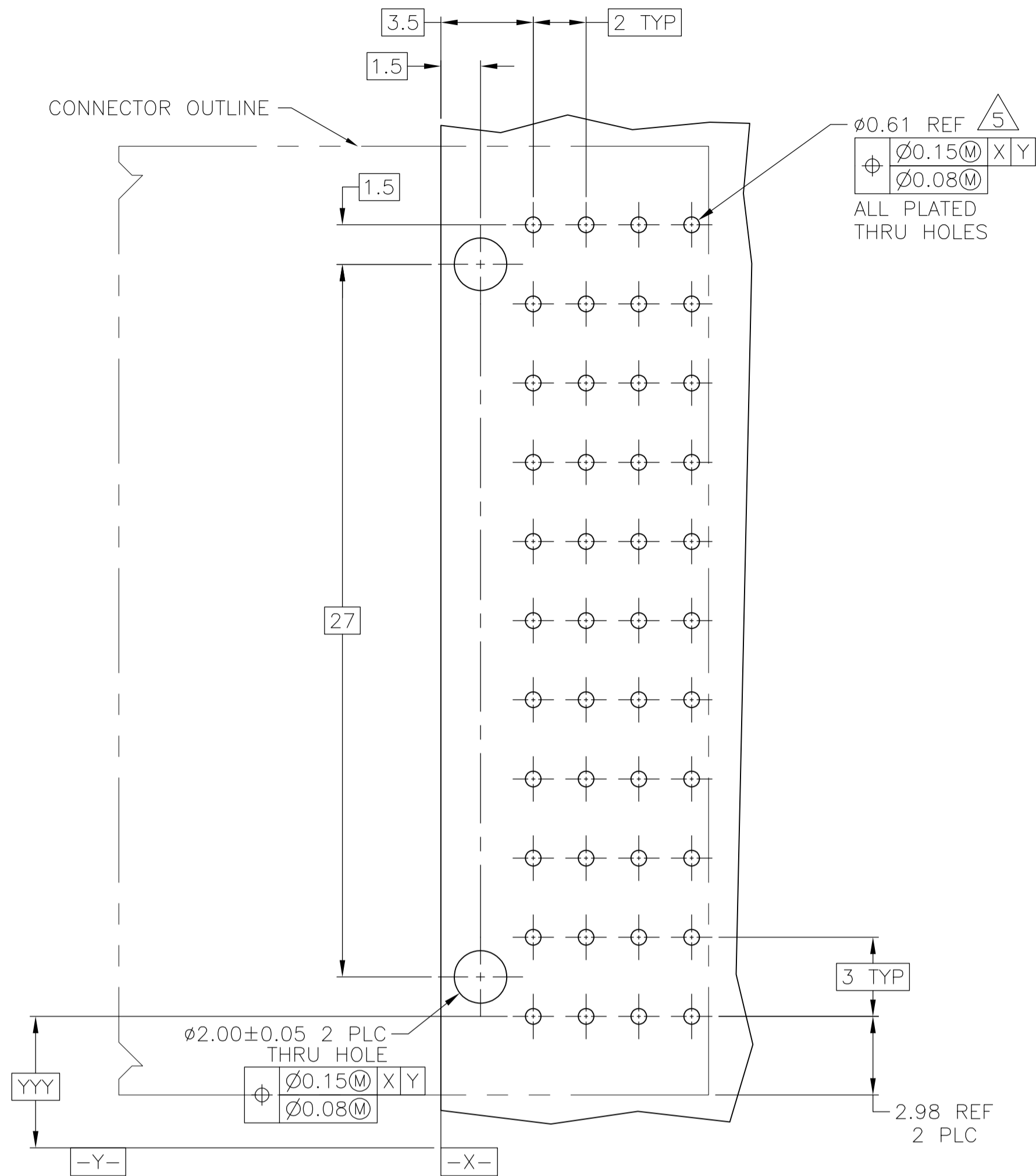
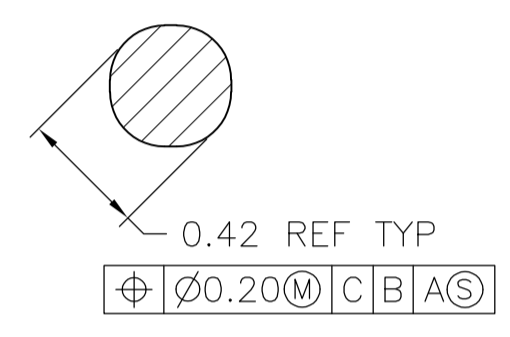


LOC		DIST		REVISIONS			
P	LTR	DATE	DMN	APVD			
E	REVISED PER ECO-11-000045	04JAN11	DH	DY			

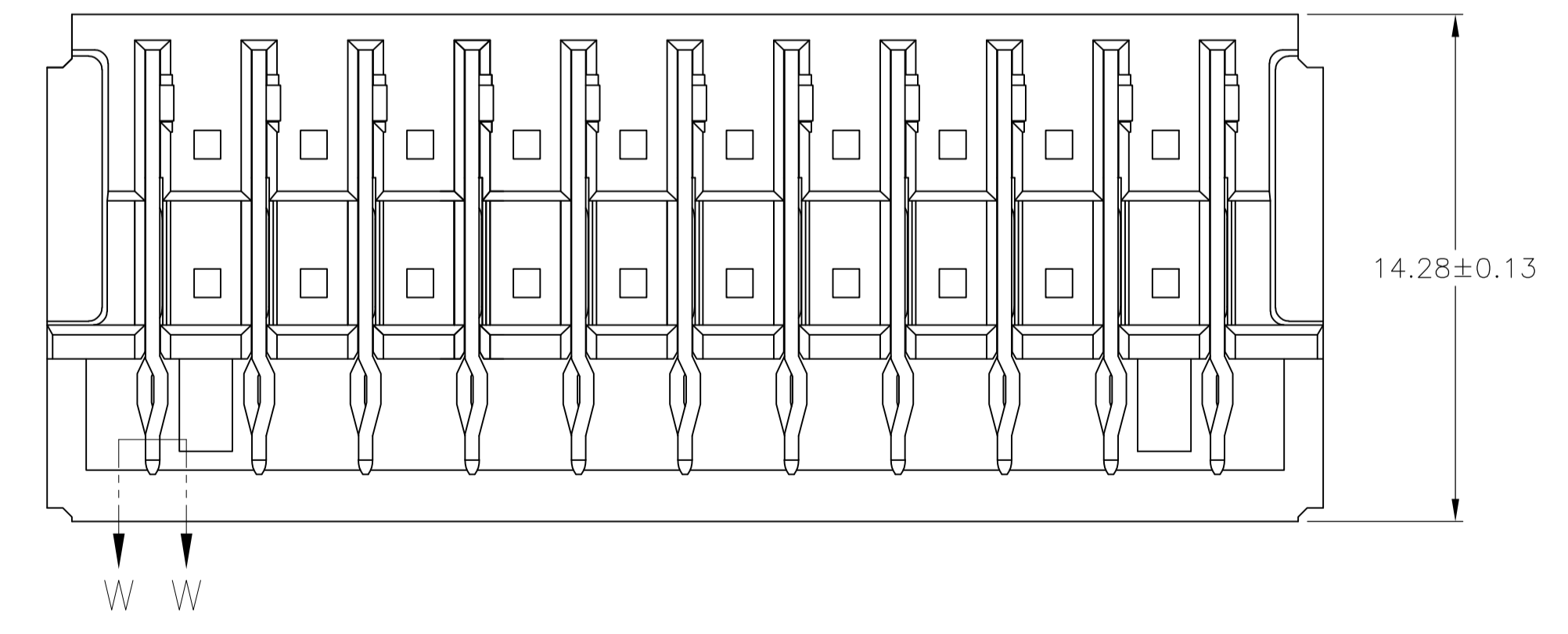
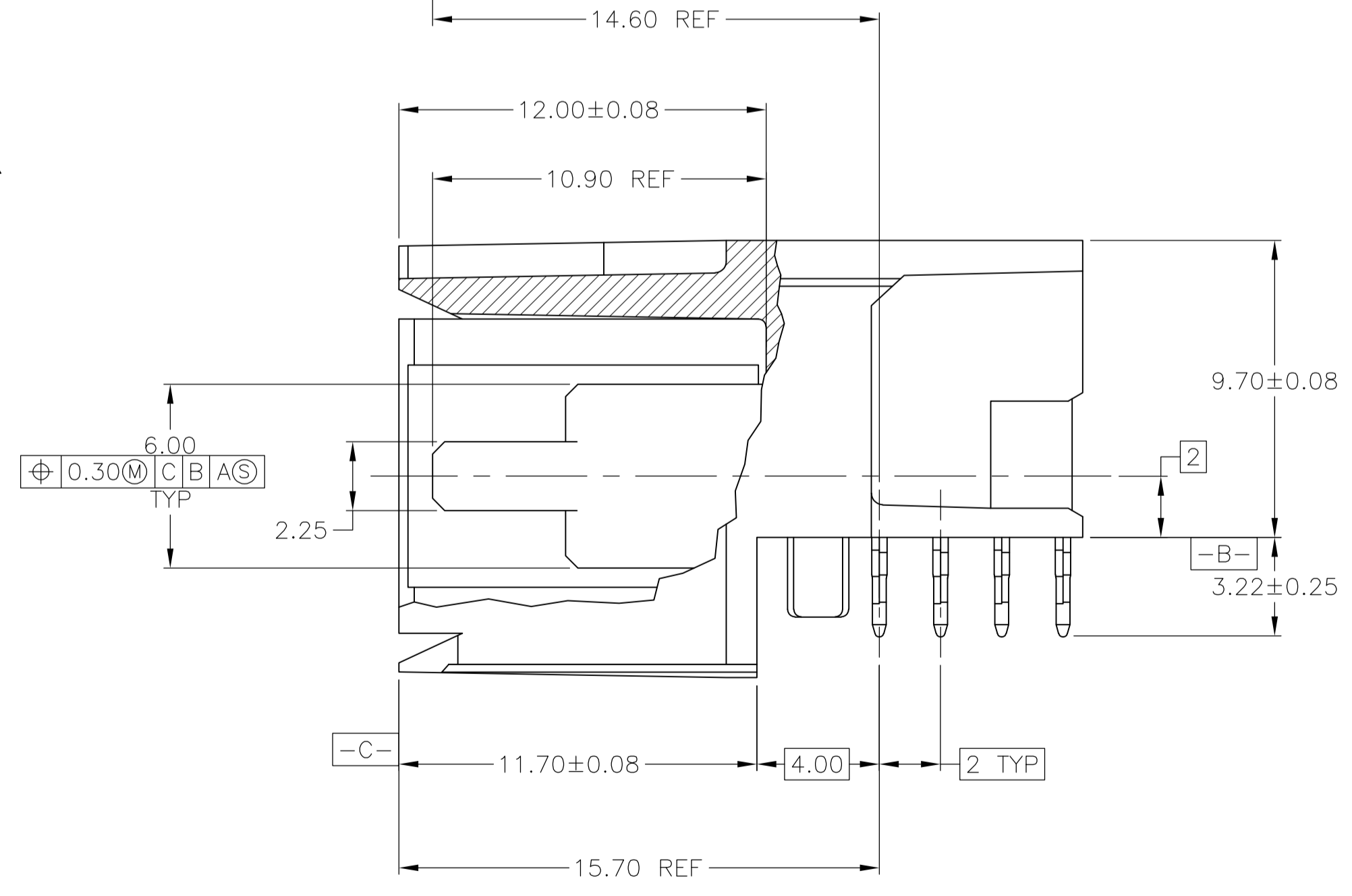
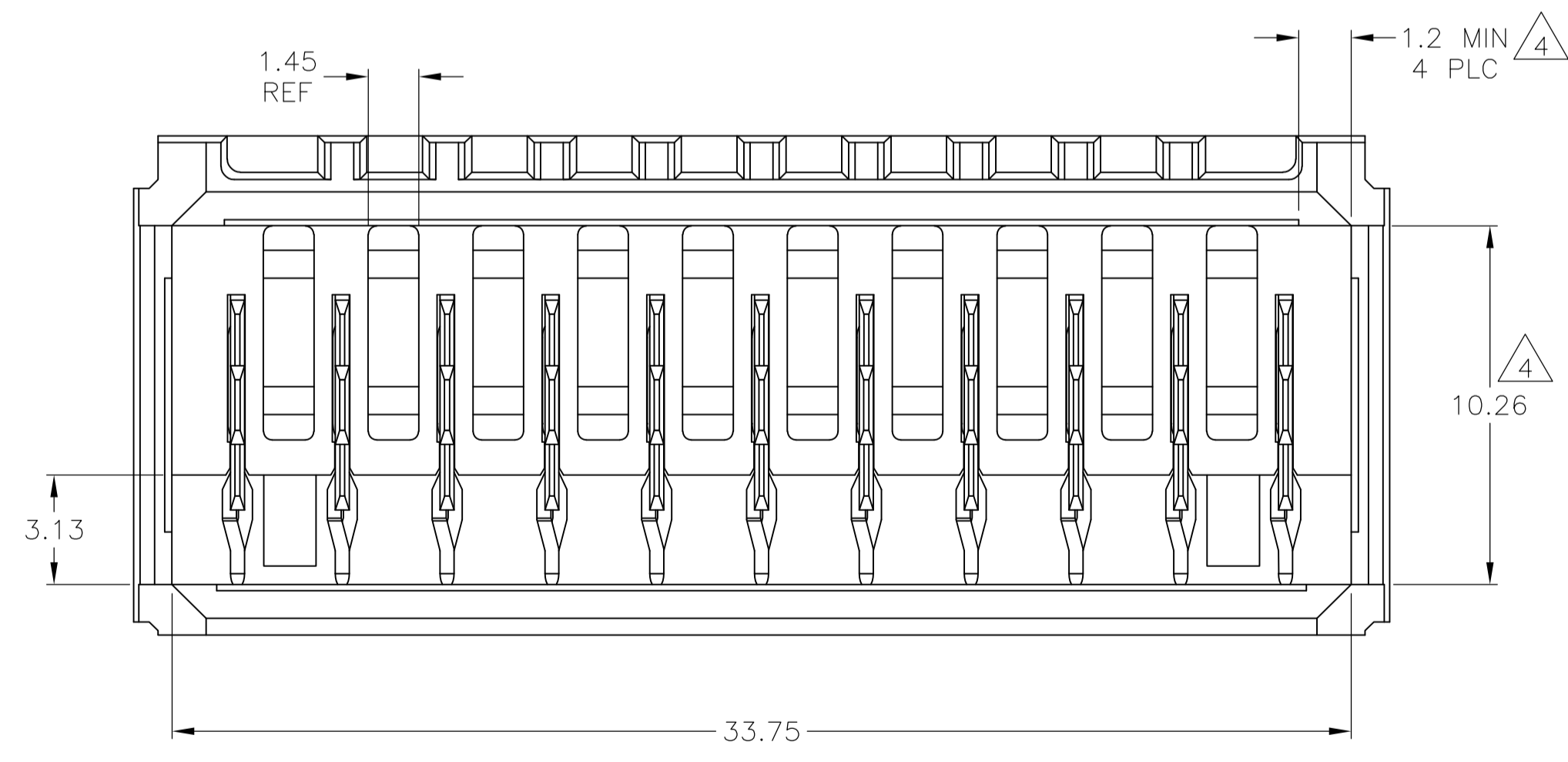


- 1 MATERIAL: HOUSING: POLYESTER, GRAY. UL 94V-0.  
CONTACT: HIGH CURRENT COPPER ALLOY.
- 2 FINISH: CONTACT MATING AREA: 1.27µm MIN GOLD OR 0.08µm MIN GOLD OVER  
0.76µm MIN PALLADIUM-NICKEL.  
ACTION PIN AREA: 0.5µm MIN MATTE TIN PLATE,  
ALL OVER 1.27µm MIN NICKEL UNDERPLATE.
- 3 FINISH: CONTACT LUBRICATION WITH BELLCORE APPROVED  
LUBRICANT. TECHNICAL REFERENCE: GR-1217-CORE, ISSUE 1,  
NOVEMBER 1995.
- 4 THE 10.26±0.13 DIMENSION APPLIES IN THIS AREA.
- 5 REFERENCE APPLICATION SPEC 114-1103 FOR RECOMMENDED  
PLATED THRU HOLE DIAMETER AND PLATING THICKNESSES.
6. CURRENT RATING 16A/CONTACT PER PRODUCT SPEC 108-1651.



SECTION W-W  
SCALE 40:1

RECOMMENDED PCB HOLE LAYOUT



120961-1  
PART NUMBER

THIS DRAWING IS A CONTROLLED DOCUMENT.		DIN B CARDO 18OCT04	Tyco Electronics Corporation Harrisburg, PA 17105-3608
DIMENSIONS: mm		CIK R PATTERSON 18OCT04	
TOLERANCES UNLESS OTHERWISE SPECIFIED:		APVD R PATTERSON 18OCT04	NAME
0 PLC ± -	1 PLC ± -	PRODUCT SPEC	ASSEMBLY, RIGHT ANGLE HEADER, W/ RETENTION PEGS, UNIVERSAL POWER MODULE
2 PLC ± 0.13	3 PLC ± -	APPLICATION SPEC	SIZE CAGE CODE DRAWING NO
4 PLC ± -	ANGLES ± -	WEIGHT	A1 00779 C=120961
MATERIAL	FINISH	CUSTOMER DRAWING	RESTRICTED TO
1	2 3	SCALE 6:1	SHEET 1 OF 1 REV E