

10 9 8 7 6 5 4 3 2 1

NOTES :

1. MATERIAL :
 HOUSING : (a) HIGH TEMP. NYLON ,GLASS FIBER FILLED,UL94V-0, COLOR: BLACK,
 (b) POLYESTER , GLASS FIBER FILLED,UL94V-0, COLOR: WHITE,
 TERMINAL : PHOSPHOR BRONZE
 METAL SHELL : COPPER ALLOY

2. PLATING :
 TERMINAL :
 CONTACT AREA : (a) GOLD FLASH.
 (b) GLOD (Au), THICKNESS = 30 MICROINCH MINIMUM.
 /0.76 MICROMETER MINIMUM.

SOLDER TAIL :
 PURE TIN(Sn) THICKNESS= 75 MICROINCH MINIMUM .
 /1.9 MICROMETER MINIMUM.

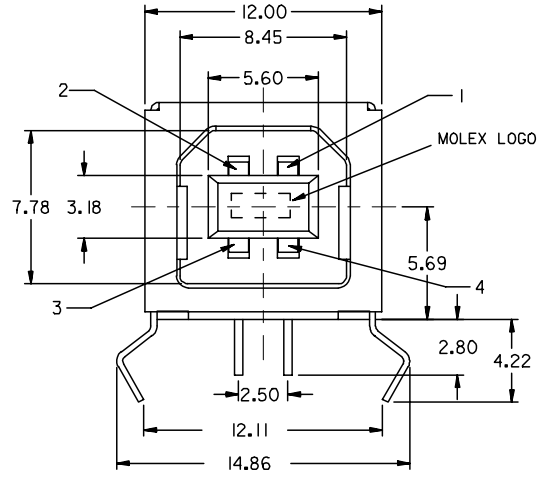
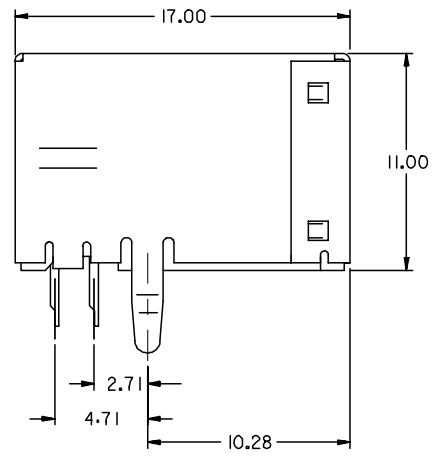
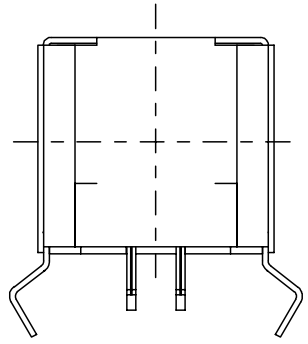
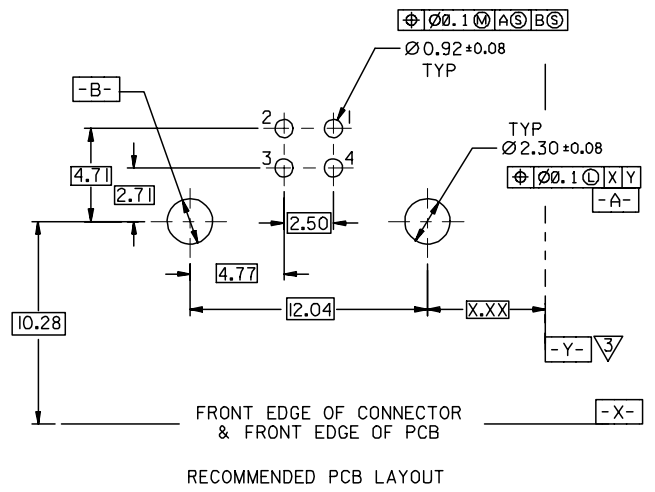
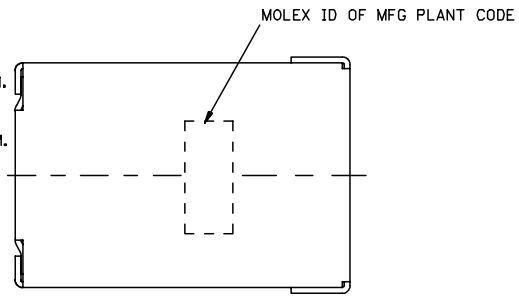
UNDER PLATE : NICKEL (Ni), THICKNESS= 50 MICROINCH MINIMUM.
 /1.27 MICROMETER MINIMUM.

METAL SHELL :
 PURE TIN(Sn) , THICKNESS= 50 MICROINCH MINIMUM.
 /1.27 MICROMETER MINIMUM.

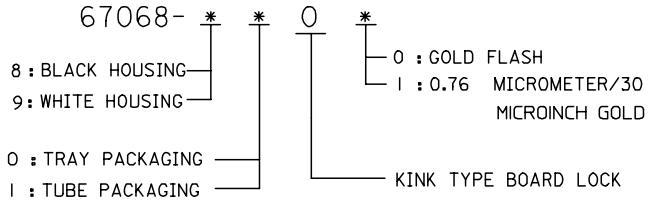
UNDER PLATE : NICKEL (Ni) , THICKNESS= 50 MICROINCH MINIMUM.
 /1.27 MICROMETER MINIMUM.

▽ DATUM AND BASIC DIMENSIONS ESTABLISHED BY CUSTOMER
 RECOMMENDED PCB THICKNESS : 1.60±0.05

4 PRODUCT SPECIFICATION : REFER TO PS-67998-0000



PART NUMBER LEGEND:



NEW RELEASE	DESCRIPTION
EC NO: SH2005-0142	DRWN: DAVID HU 2004/11/5
CHKD: HARVEY 2004/11/25	APPR: TYAP 2004/11/25
REV	
A	

QUALITY SYMBOLS
▽=0
▽C=0

GENERAL TOLERANCES (UNLESS SPECIFIED)	
	mm INCH
4 PLACES	± --- ± ---
3 PLACES	± --- ± ---
2 PLACES	± 0.25 ± ---
1 PLACE	± 0.25 ± ---
ANGULAR ± 3 °	
DRAFT WHERE APPLICABLE MUST REMAIN WITHIN DIMENSIONS	

DIMENSION STYLE MM ONLY	
DRAWN BY	DATE
DAVID HU	2004/11/05
CHECKED BY	DATE
HARVEY	2004/11/05
APPROVED BY	DATE
MATERIAL NO.	
DOCUMENT NO.	
SD-67068-003	
SHEET NO. 1 OF 4	

SCALE 4:1	DESIGN UNITS METRIC	THIRD ANGLE PROJECTION
TITLE USB B TYPE CONNECTOR KINK TYPE BOARD LOCK (LEAD-FREE)		
MOLEX INCORPORATED		
SEE NOTES		
THIS DRAWING CONTAINS INFORMATION THAT IS PROPRIETARY TO MOLEX INCORPORATED AND SHOULD NOT BE USED WITHOUT WRITTEN PERMISSION		

9 8 7 6 5 4 3 2 1

10 9 8 7 6 5 4 3 2 1

NOTES :

1. MATERIAL :
 HOUSING : (a) HIGH TEMP. NYLON, GLASS FIBER FILLED, UL94V-0, COLOR: BLACK,
 (b) POLYESTER, GLASS FIBER FILLED, UL94V-0, COLOR: WHITE,
 TERMINAL : PHOSPHOR BRONZE
 METAL SHELL : COPPER ALLOY

2. PLATING :
 TERMINAL :
 CONTACT AREA : (a) GOLD FLASH.
 (b) GLOD (Au), THICKNESS = 30 MICROINCH MINIMUM.
 /0.76 MICROMETER MINIMUM.

SOLDER TAIL :
 PURE TIN(Sn) THICKNESS= 75 MICROINCH MINIMUM .
 /1.9 MICROMETER MINIMUM.

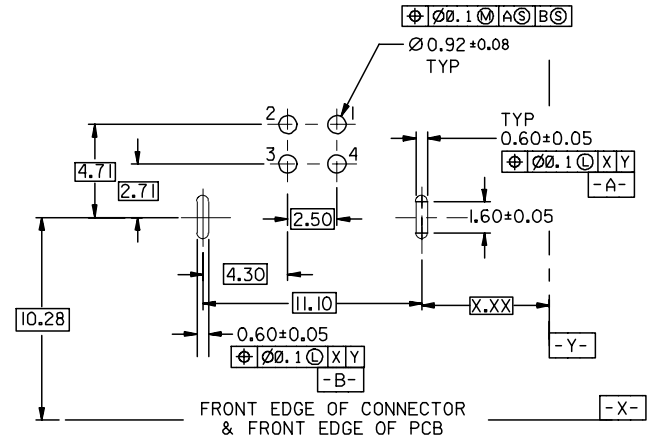
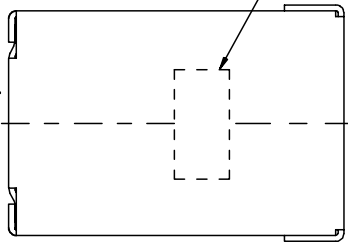
UNDER PLATE : NICKEL (Ni), THICKNESS= 50 MICROINCH MINIMUM.
 /1.27 MICROMETER MINIMUM.

METAL SHELL :
 PURE TIN(Sn) THICKNESS= 50 MICROINCH MINIMUM.
 /1.27 MICROMETER MINIMUM.

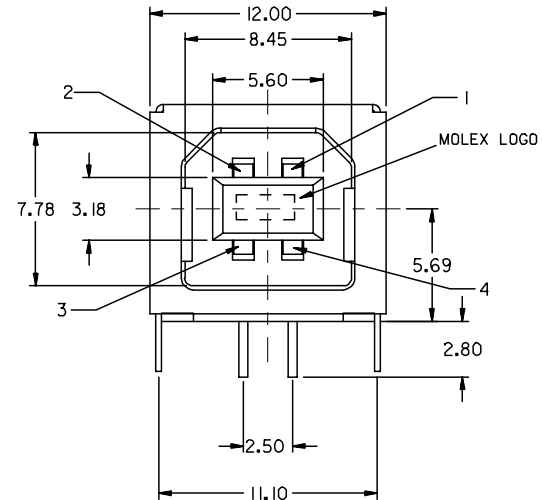
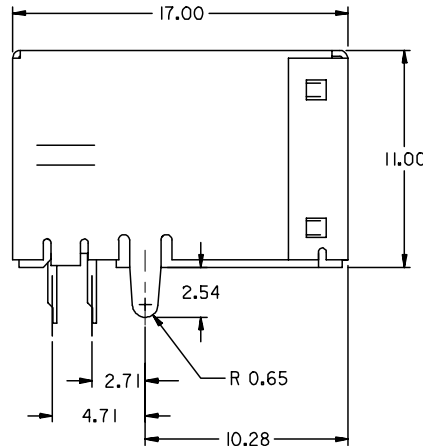
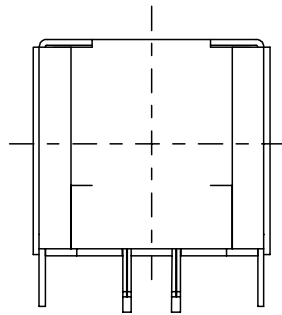
UNDER PLATE : NICKEL (Ni), THICKNESS= 50 MICROINCH MINIMUM.
 /1.27 MICROMETER MINIMUM.

3 DATUM AND BASIC DIMENSIONS ESTABLISHED BY CUSTOMER
 RECOMMENDED PCB THICKNESS : 1.60±0.05
 4 PRODUCT SPECIFICATION ; REFER TO PS-67998-0000

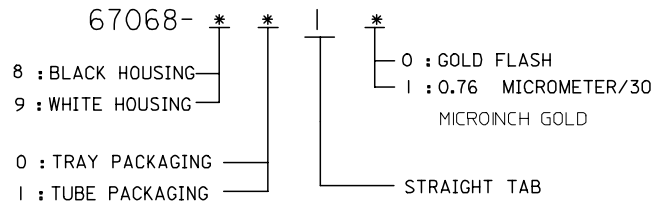
MOLEX ID OF MFG PLANT CODE



RECOMMENDED PCB LAYOUT



PART NUMBER LEGEND:



NEW RELEASE EC NO: SH2005-0142 DRWN: DAVID HU 2004/11/5 CHKD: HARVEY 2004/11/25 APPR: TYAP 2004/11/25	QUALITY SYMBOLS ▽=0 ∇=0	GENERAL TOLERANCES (UNLESS SPECIFIED)		DIMENSION STYLE MM ONLY	SCALE 4:1	DESIGN UNITS METRIC	THIRD ANGLE PROJECTION	
				DRAWN BY DAVID HU	DATE 2004/11/05	TITLE USB B TYPE CONNECTOR WITH STRAIGHT TAB (LEAD-FREE)		
				CHECKED BY	DATE 2004/11/05	APPROVED BY	DATE 2004/11/05	
				ANGULAR ± 3 °		MATERIAL NO.	DOCUMENT NO. SD-67068-003	SHEET NO. 2
		DRAFT WHERE APPLICABLE MUST REMAIN WITHIN DIMENSIONS		SEE NOTES	MOLEX INCORPORATED			
		THIS DRAWING CONTAINS INFORMATION THAT IS PROPRIETARY TO MOLEX INCORPORATED AND SHOULD NOT BE USED WITHOUT WRITTEN PERMISSION						

9 8 7 6 5 4 3 2 1

8 7 6 5 4 3 2 1

NOTES :
 1. MATERIAL :
 HOUSING : (a) HIGH TEMP. NYLON, GLASS FIBER FILLED, UL94V-0, COLOR: BLACK,

TERMINAL : PHOSPHOR BRONZE
 METAL SHELL : COPPER ALLOY

2. PLATING :
 TERMINAL :
 CONTACT AREA : (a) GOLD FLASH.
 (b) GL0D (Au), THICKNESS = 30 MICROINCH MINIMUM.
 /0.76 MICROMETER MINIMUM.

SOLDER TAIL :
 PURE TIN(Sn) THICKNESS= 75 MICROINCH MINIMUM .
 /1.9 MICROMETER MINIMUM.

UNDER PLATE : NICKEL (Ni), THICKNESS= 50 MICROINCH MINIMUM.
 /1.27 MICROMETER MINIMUM.

METAL SHELL :
 PURE TIN(SN), THICKNESS= 50 MICROINCH MINIMUM.
 /1.27 MICROMETER MINIMUM.

UNDER PLATE : NICKEL (Ni), THICKNESS= 50 MICROINCH MINIMUM.
 /1.27 MICROMETER MINIMUM.

▽ DATUM AND BASIC DIMENSIONS ESTABLISHED BY CUSTOMER
 RECOMMENDED PCB THICKNESS : 1.60±0.05

4 PRODUCT SPECIFICATION : REFER TO PS-67998-0000

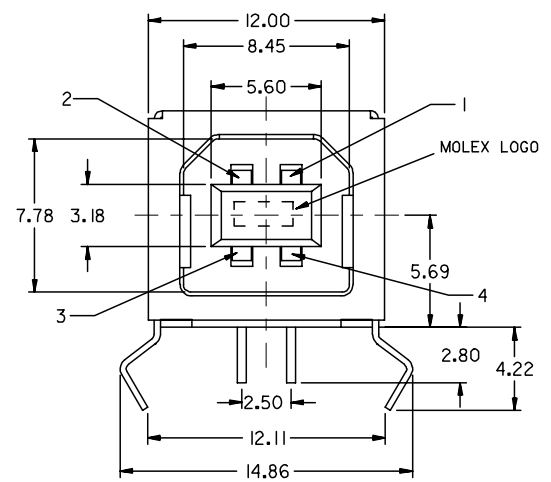
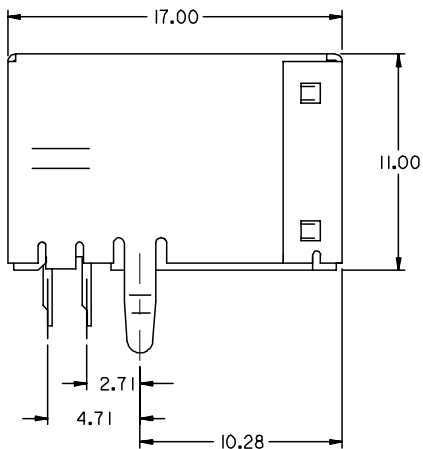
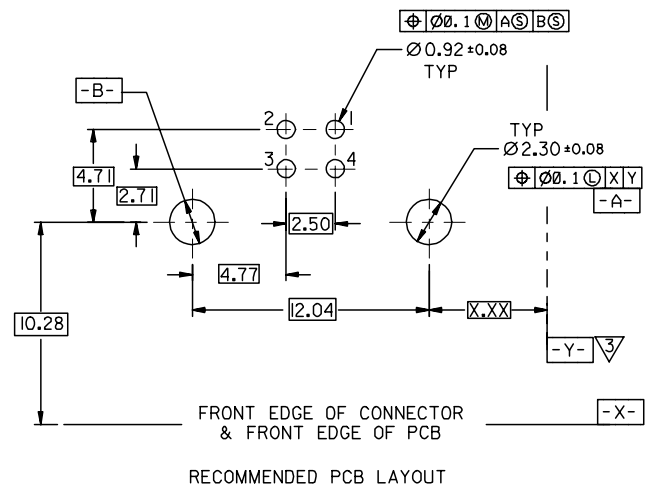
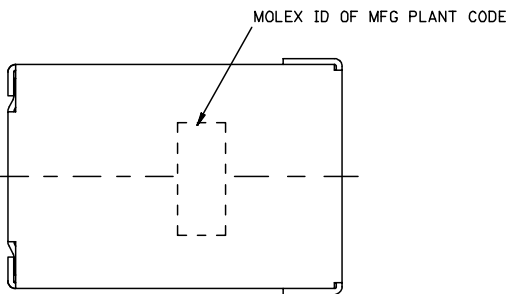
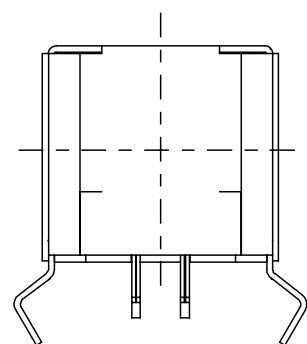
ENG. NO

EDP NO.

SIMILAR ITEM

CAD FILE :

DO NOT SCALE DRAWING



PART NUMBER LEGEND:
 67068- 7041

				MATERIAL : SEE NOTES		 MOLEX TAIWAN LTD. SHEET 3 OF 4
				FINISH : SEE NOTES		
				WIRE RANGE :		GENERAL TOLERANCES ANGLE : ± 3° DIM : ± .25/.010
				INS. RANGE :		ENG. NO.: SD-67068-003
A	NEW RELEASE FOR LEAD-FREE		DAVID HU	2004/11/5		REV A
LTR	REVISION RECORD	ECN	DR	DATE	DRAWN BY 2004/11/5 DAVID HU	CHK'D BY
REVISE ONLY ON CAD SYSTEM					APPR'D BY	SCALE 4 : 1
TITLE : HIGH TEMP.USB B TYPE CONNECTOR KINK TYPE BOARD LOCK (LEAD-FREE)						

ENG. NO SDA-67068-****

EDP NO.

SIMILAR ITEM

CAD FILE : S6706802

DO NOT SCALE DRAWING

NOTES :

1. MATERIAL :

HOUSING : (a) HIGH TEMP. NYLON, GLASS FIBER FILLED, UL94V-0, COLOR: BLACK,

TERMINAL : PHOSPHOR BRONZE
METAL SHELL : COPPER ALLOY

2. PLATING :

TERMINAL :

CONTACT AREA : (a) GOLD FLASH.
(b) GL0D (Au), THICKNESS = 30 MICROINCH MINIMUM.
/0.76 MICROMETER MINIMUM.

SOLDER TAIL :

PURE TIN(Sn) THICKNESS= 75 MICROINCH MINIMUM .
/1.9 MICROMETER MINIMUM.

UNDER PLATE : NICKEL (Ni), THICKNESS= 50 MICROINCH MINIMUM.

/1.27 MICROMETER MINIMUM.

METAL SHELL :

PURE TIN(Sn) THICKNESS= 50 MICROINCH MINIMUM.
/1.27 MICROMETER MINIMUM.

UNDER PLATE : NICKEL (Ni), THICKNESS= 50 MICROINCH MINIMUM.

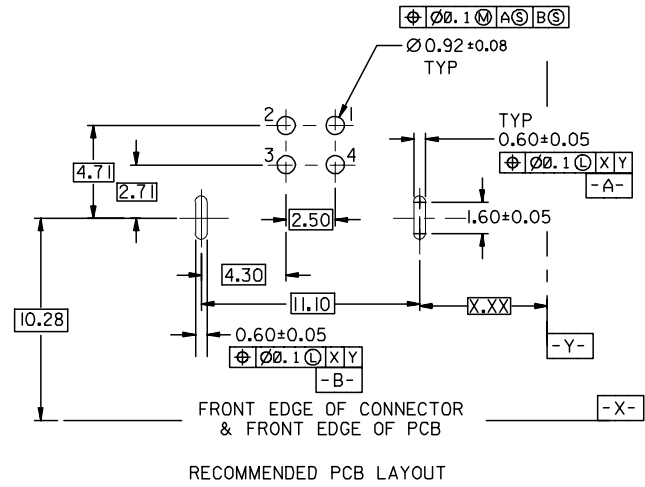
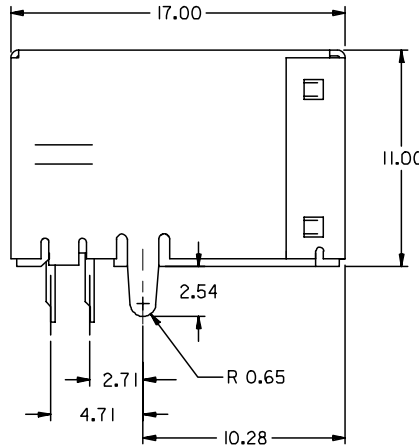
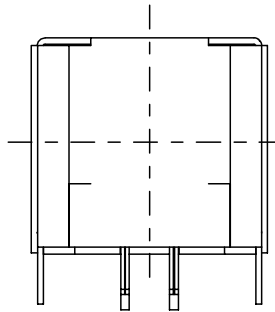
/1.27 MICROMETER MINIMUM.

3 DATUM AND BASIC DIMENSIONS ESTABLISHED BY CUSTOMER

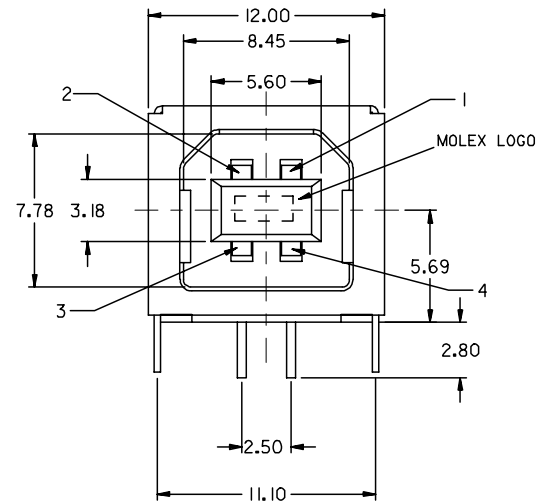
RECOMMENDED PCB THICKNESS : 1.60±0.05

4 PRODUCT SPECIFICATION : REFER TO PS-67998-0000

MOLEX ID OF MFG PLANT CODE



FRONT EDGE OF CONNECTOR & FRONT EDGE OF PCB
RECOMMENDED PCB LAYOUT



PART NUMBER LEGEND:

67068- 7051

				MATERIAL : SEE NOTES		 MOLEX TAIWAN LTD. SHEET 4 OF 4
				FINISH : SEE NOTES		
				WIRE RANGE :		GENERAL TOLERANCES ANGLE : ± 3° DIM : ± .25/.010
				INS. RANGE :		ENG. NO.: SD-67068-003
A	NEW RELEASE FOR LEAD-FREE	DAVID HU	2004/11/5	DRAWN BY 2004/11/5 DAVID HU		REV A
LTR	REVISION RECORD	ECN	DR	DATE	CHK'D BY	TITLE : HIGH TEMP USB B TYPE CONNECTOR WITH STRAIGHT TAB (LEAD-FREE)
REVISE ONLY ON CAD SYSTEM					APPR'D BY	SCALE 4 : 1